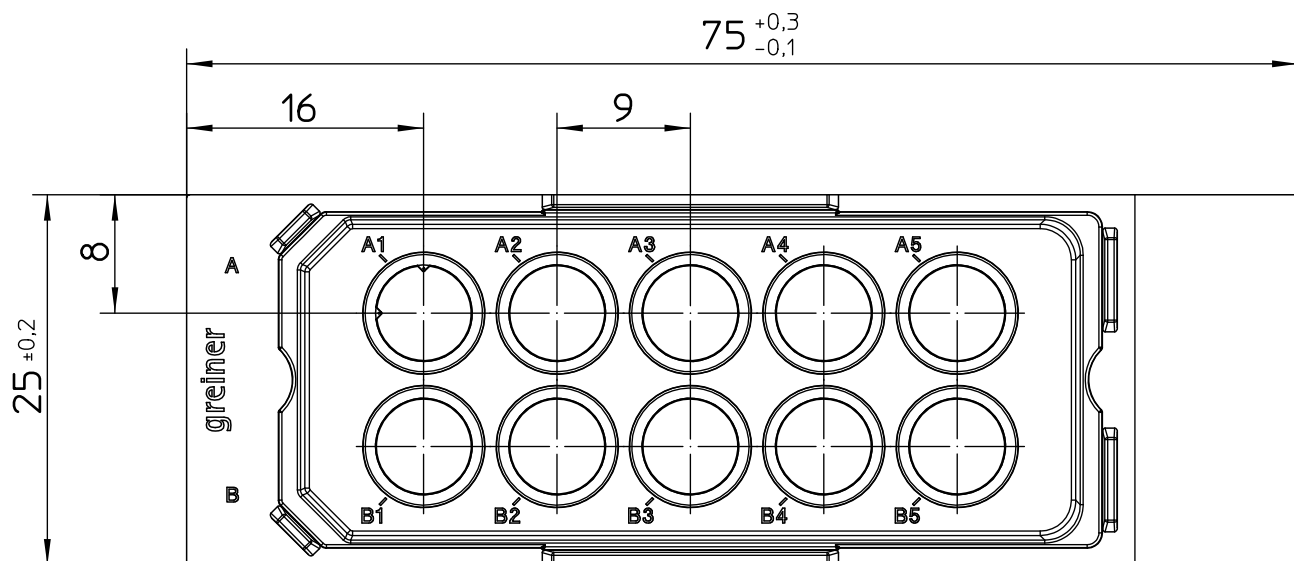
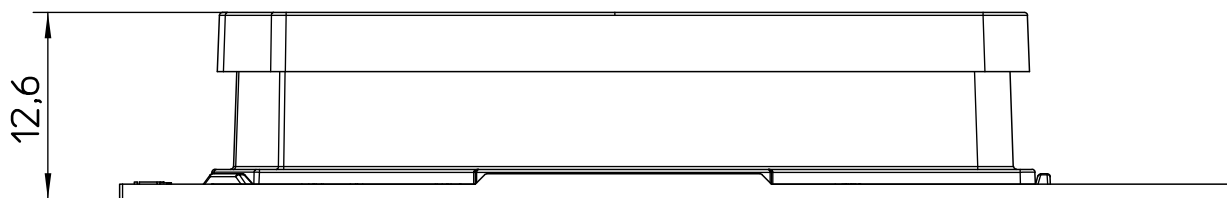
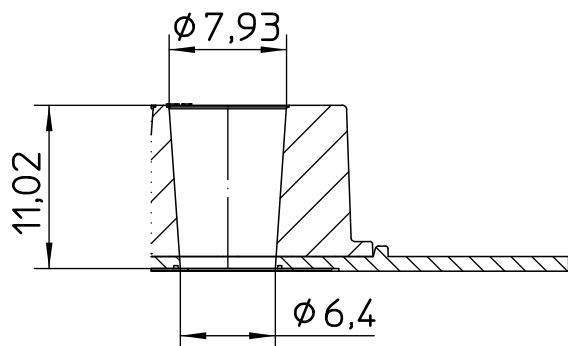
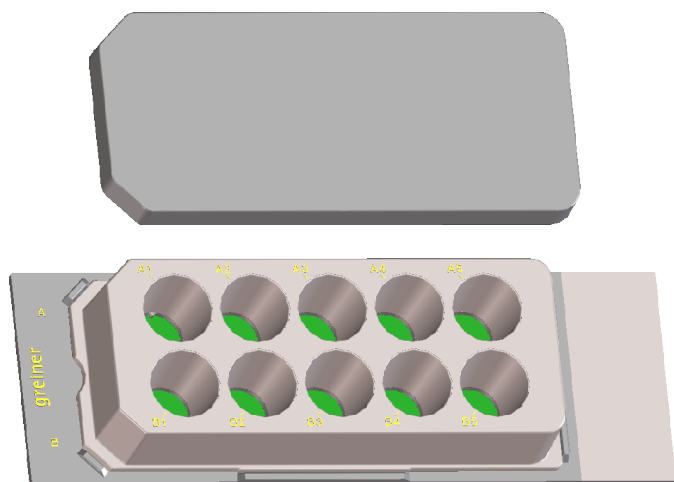


Valid for Item-No.: 543078, 543079, 543978, 543979



"All dimensions in mm"

Customer drawing subject to change without notice!

Uncontrolled Copy

| Prior Issue | Drawn | Approved | Released | CONFIDENTIAL: Information contained in this document or drawing is confidential and proprietary to Greiner Bio-One GmbH. This document may not be reproduced for any reason without written permission from Greiner Bio-One GmbH. All rights of design, invention, and copyright are reserved. |
|--------------------|--------------------|--------------------|--------------------|--|
| Revision 2 | Date 2015/02/09 | Date 2017/12/01 | Date 2017/12/01 | |
| Date 2016/12/15 | Name schwarzj | Name schwarzj | Name sonntag | |