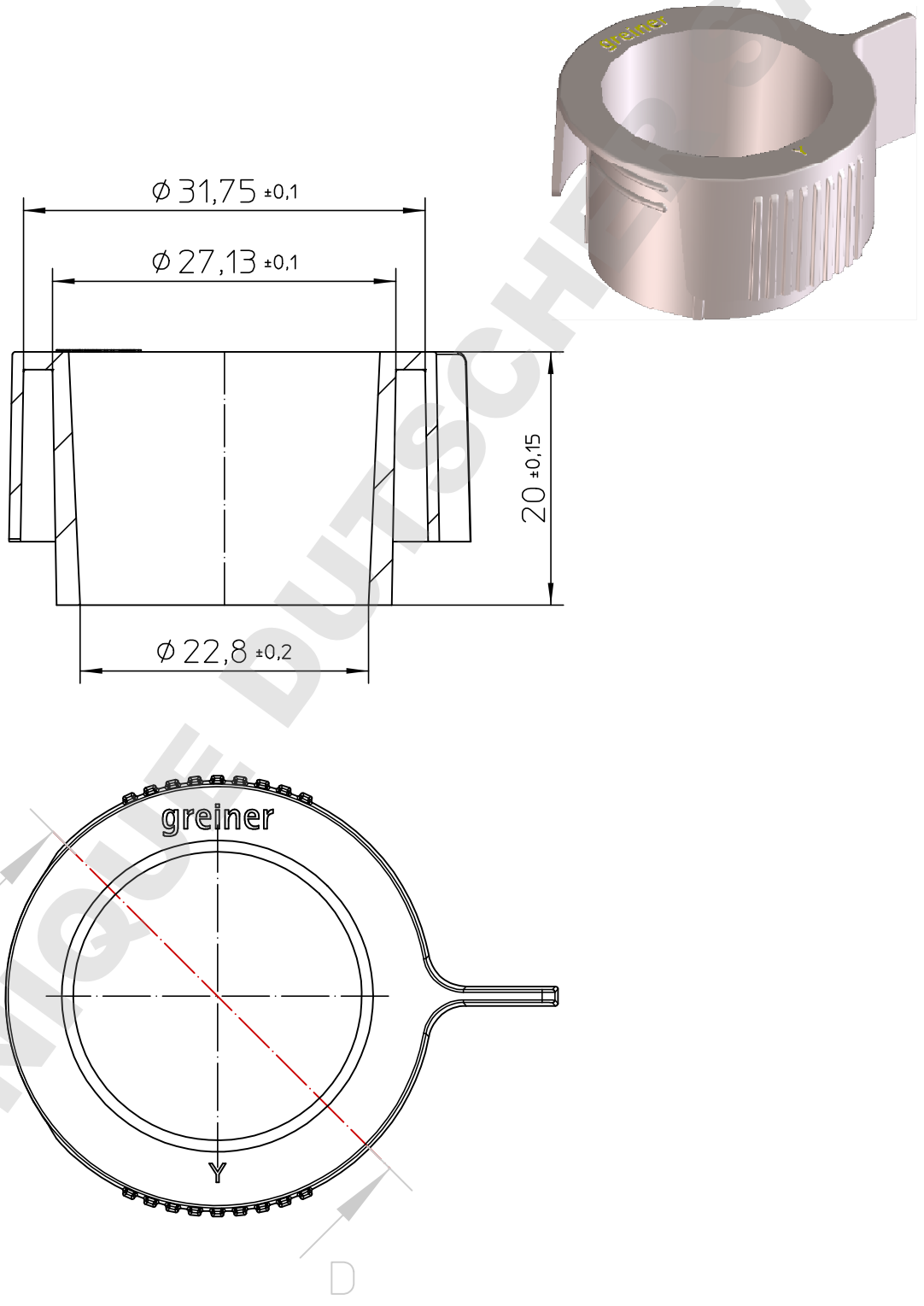


Valid for Item-No.: 542000, 542040, 542070



"All dimensions in mm"
Customer drawing subject to change without notice!

Uncontrolled Copy

Prior Issue	Drawn	Approved	Released	<small>CONFIDENTIAL: Information contained in this document or drawing is confidential and proprietary to Greiner Bio-One GmbH. This document may not be reproduced for any reason without written permission from Greiner Bio-One GmbH. All rights of design, invention, and copyright are reserved.</small>
Revision	Date 2013/03/25	Date 2013/03/25	Date 2013/03/25	
Date	Name schwarzj	Name schwarzj	Name sonntag	