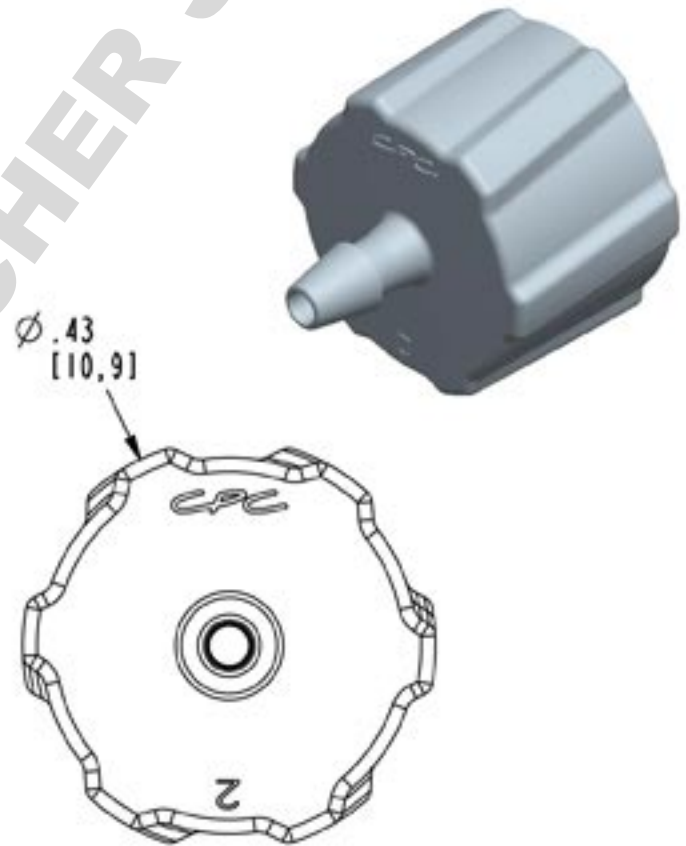
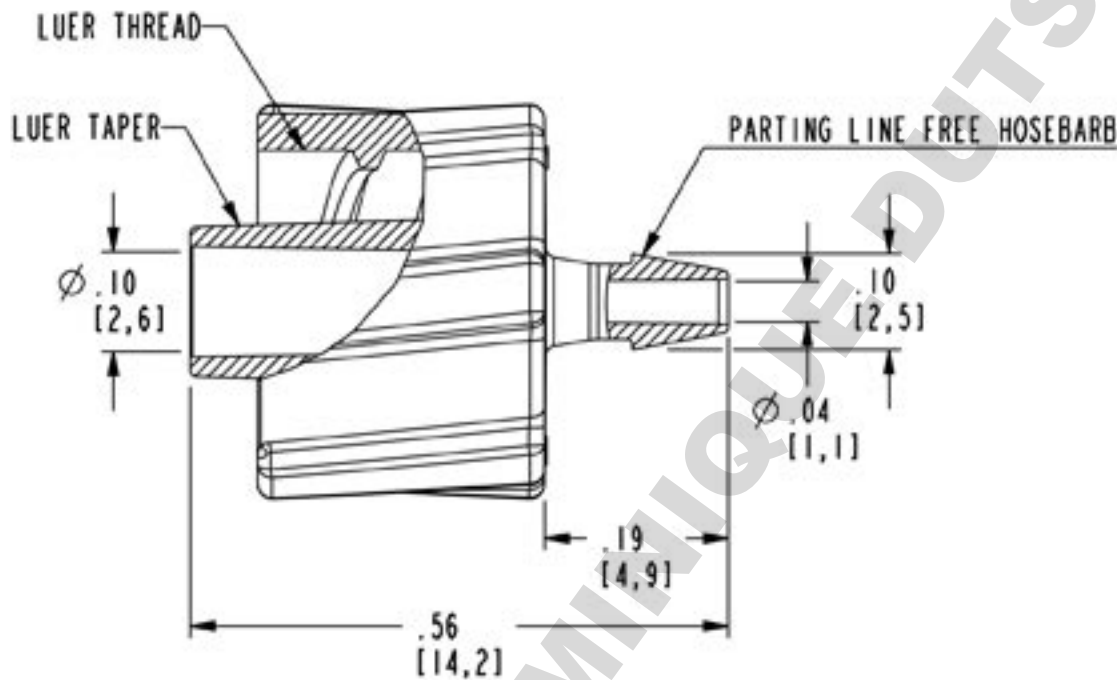


DWG NO: LM21-CUST

NOTES:

1 MATERIAL: POLYPROPYLENE
FDA 21 CFR 177.1500
RoHS COMPLIANT
ANIMAL FREE
USP CLASS VI
COLOR: NATURAL



| | | |
|-------------------------------------|------------------------------------------------------------|----------|
| CPC 1 800 444 2474 cpcworldwide.com | | |
| PROJECT 7362 | 1/16 HB MALE LUER INTEGRAL LOCK RING (CUSTOMER DRAWING) | |
| DWG BY: VS | DATE: 07/13/09 | CHKD BY: |
| MATL/FIN: SEE NOTE 1 | DWG NO: LM21-CUST | |