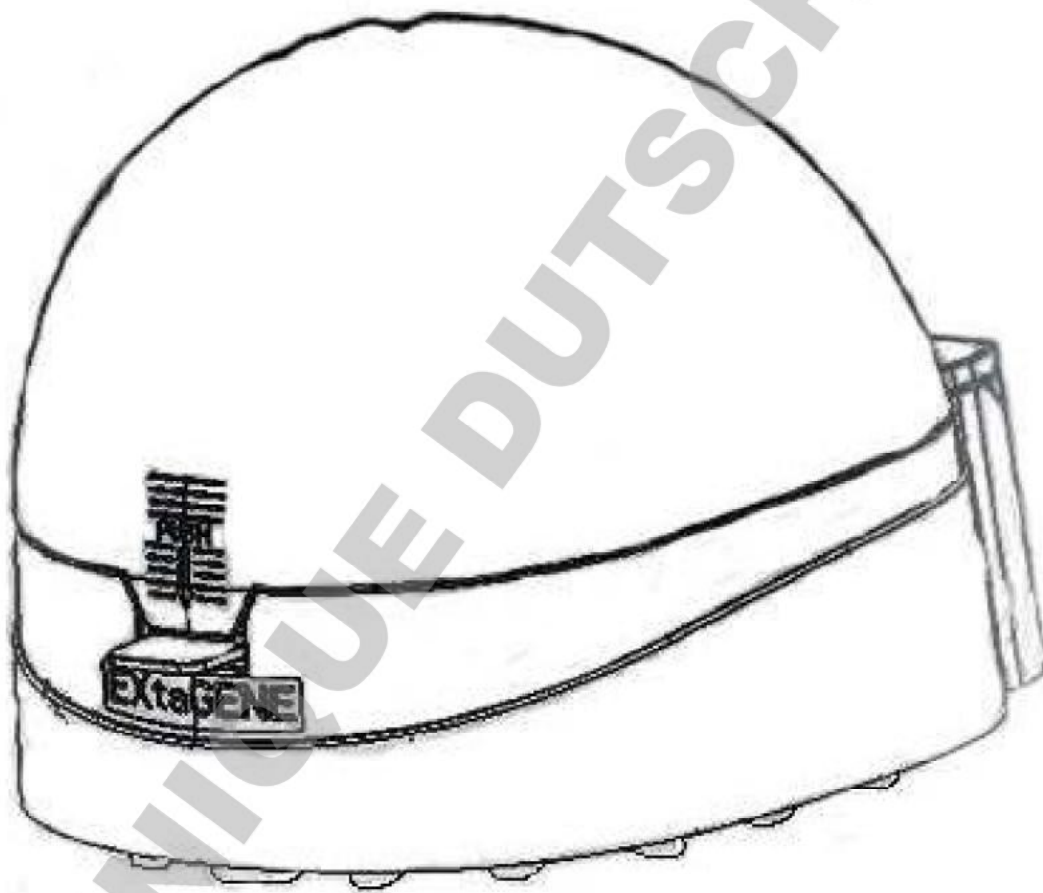


Instructions for EG-600330 Mini Centrifuge



Dear customers,

Thank you for selection of EG-600330 Mini Centrifuge!

You are kindly requested to carefully read the instructions before use. Please install, use and maintain the unit correctly according to the methods specified herein to ensure that the unit effects the best performance in a safe and comfortable manner.

Contents

I. Overview	1
II. Specifications of the Product	2
III. Standard Configuration of the Machine	6
IV. Instructions	9
V. Special Attention	11
VI. Routine maintenance	25

I. Overview

1.1 Name of the Product

EG Mini Centrifuge

1.2 Model of the Product

EG-600330

1.3 Features of the Product

- a) Small and exquisite body, one-key operation;
- b) Convenient and quick installation and replacement of rotor without need of using tool;
- c) Rotor will immediately stop if lid is opened during operation;
- d) Desktop power adapter is applicable to 110-250V AC power supply;
- e) Elaborate product with low noise and long service time.

1.4 Main Applications

- a) Applicable to fast micro-centrifugation and micro-filtration;
- b) Applicable to the centrifugation for PCR tube bank;
- c) Especially suitable for use as a personal centrifuge.

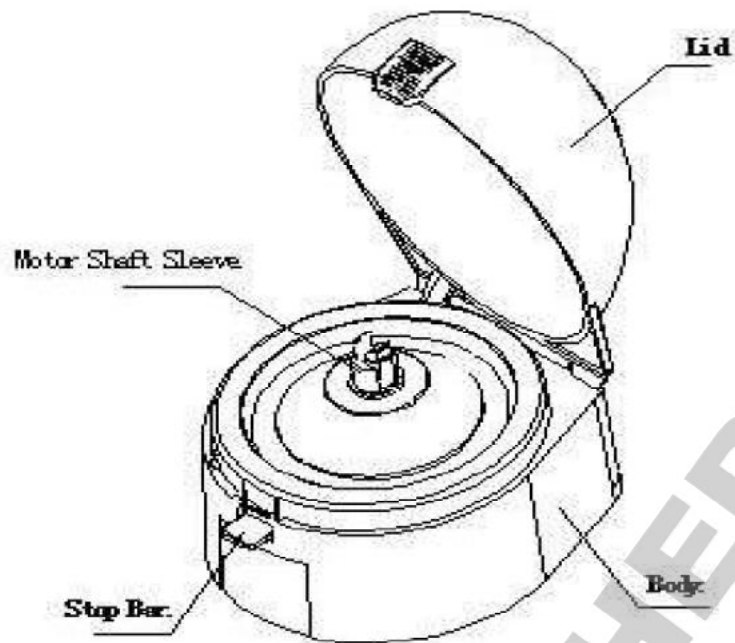
II. Specifications of the Product

Rotor	Angle Rotor	Tube Bank Rotor
Rotating Speed Scope	6500rpm	
Centrifugal Force	1605 g (0.2ml) 1936 g (0.5ml) 2230 g (1.5ml) 2267 g (2ml)	2260 g
Rotating Direction	Anticlockwise	
Max Capacity	8X2 ml/1.5 ml	4X8X0.2 ml-PCR 8-tube bank or 16X0.2 ml single centrifugal tube
Adapter	0.5 ml/0.2 ml	
Accelerating Time	3S	
Decelerating Time	≤ 2S	
Drive Mode and Motor	DC24V direct drive, with low noise attributable to rolling bearing	
Power Adapter	Conversion from AC110-250V 50/60HZ to DV24V, 48W, with overload protection	
Voltage and Current Output from Power Adapter	DC24V2A	

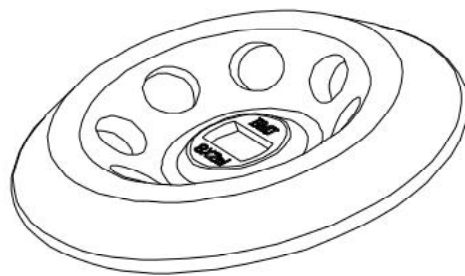
Voltage and Current Input to Power Adapter	AC110-250V 50/60HZ
Size	150WX160DX132Hmm
Weight	(1120g, including free-load angle rotor)
Safety	Compliance with the Standard IEC61010-2-020

III. Standard Configuration of the Machine

3.1 a) One main machine of mini centrifuge (see the figure below)



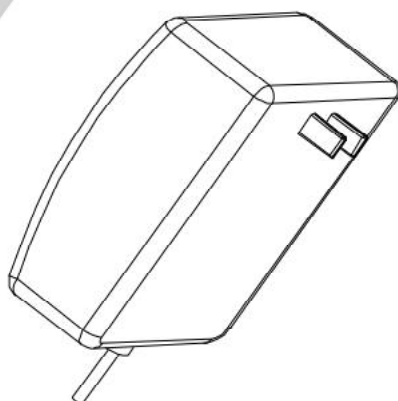
b) One round rotor (8X2/1.5 ml) (see the figure below)



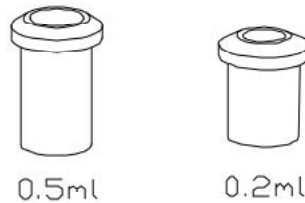
c) One 4X0.2 ml rectangle rotor for PCR 8-tube bank (see the figure below)



d) One DC24V power adapter (see the figure below)



e) Eight 0.5 ml adapters and eight 0.2 ml adapters (see the figure below)



f) One copy of Instructions

IV. Instructions

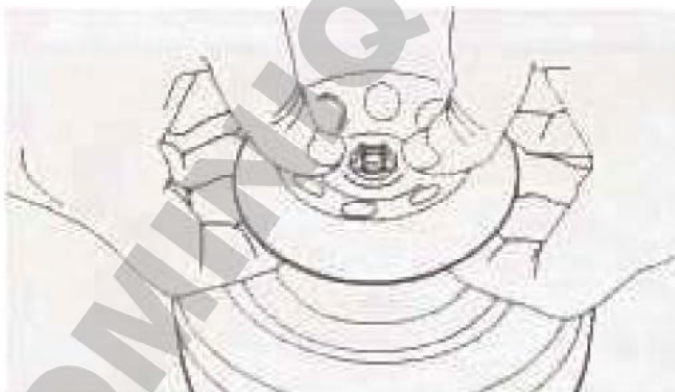
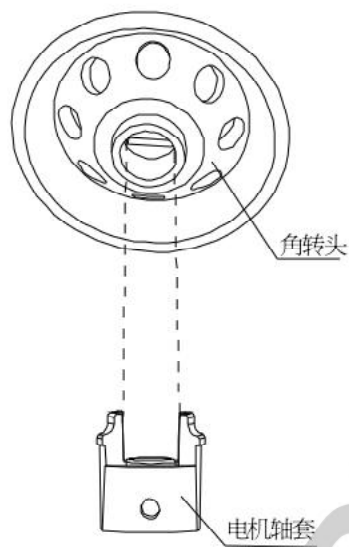
4.1 Replacement or Installation of Rotor

4.1.1 When the machine is delivered from factory, its seizing shaft sleeve and angle rotor are firmly fixed on the shaft of drive motor.

4.1.2 If it is necessary to dismantle an installed rotor, operators should hold the outside edge of rotor by hands, and push and press the protruding clamp towards its center with two thumbs, and slightly lift the rotor upwards.

4.1.3 To reinstall rotor, align the oval hole of rotor with the clamp, press down the rotor, and push the clamp hole (blue) towards the

center with thumb and index finger of one hand; meanwhile, hold both ends of the rotor and press it down with the other hand. The clamp is reset when a sound is heard. (See the figure below)



Angle Rotor

4.2 Power On

4.2.1 Connect the adapter supplied together with the unit with power source (AC110-250V). Connect the output end (DC24V) of the adapter with the power socket on the back of this machine.

4.2.2 Press the ship-formed power switch on the back of this machine towards OFF side, with DC24V power source unconnected temporarily, and then get ready for centrifugation.

4.3 Preparation for Centrifugation

4.3.1 Open the transparent lid and properly add load in a balanced manner

4.3.2 Press the power switch on the back of this machine towards ON side, and connect with DC24V working power supply. (The rotor will not run as long as the lid is opened.)

4.4 Centrifugation (Running)

4.4.1 After the lid is closed, the rotor will automatically start running and increasing to the rated speed, and then it will run stably.

4.4.2 The key on the seat may be pressed if the requirement of centrifugation is met, then the lid will be automatically opened and immediately the speed of the rotor will decrease until zero.

4.4.3 It is unnecessary to turn off power switch if another centrifugation is required.

4.4.4 Plug of power adapter should be pulled out when all centrifugation work is completed.

V. Special Attention

Microtubes Rotor

place the eight four or two microtube samples into the rotor symmetrically

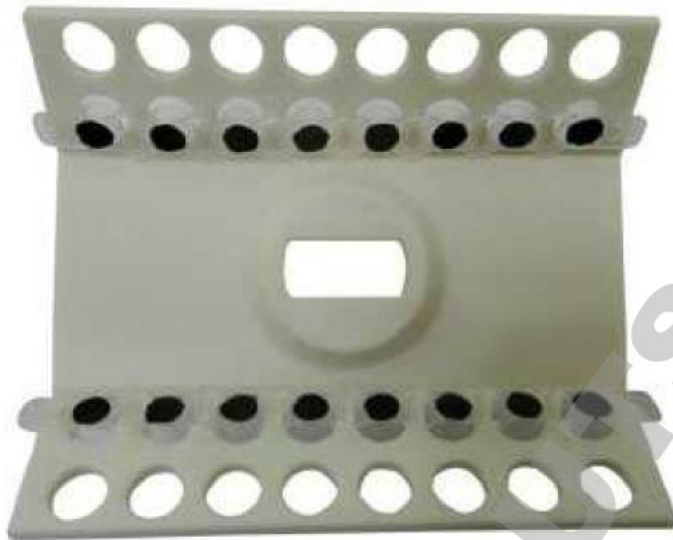
correct tube placement



Tube-strips Rotor

place all two lines tubes into the rotor

correct tube placement

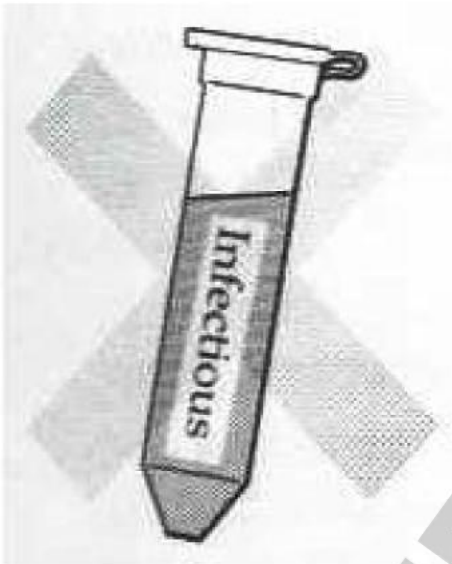


GENERAL PRECAUTIONS

the followings are general warnings and cautions concerning about the use of the centrifuge.

Observe these precautions strictly.

Warning

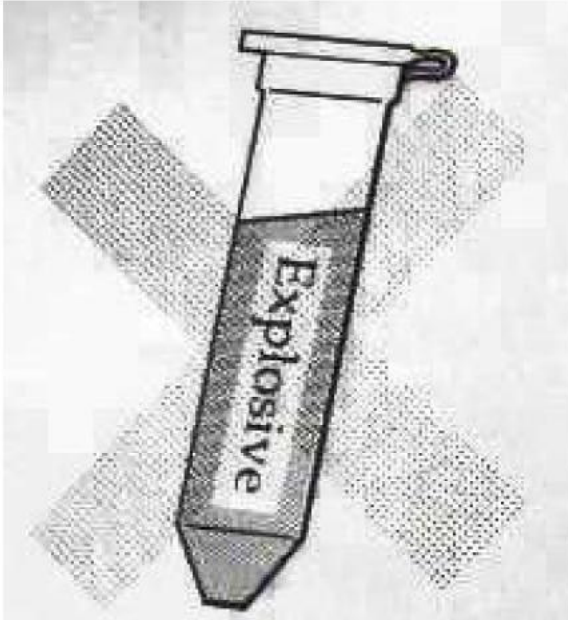


Infectious Sample Aerosols

This centrifuge is not equipped with a back-up isolation system to contain aerosols in the event a tube leaks or breaks during a run.

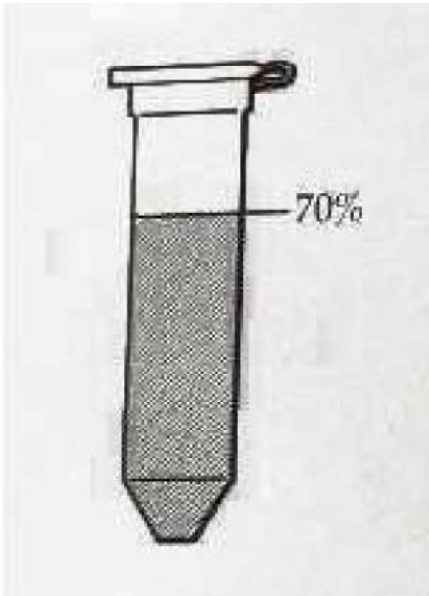
If you suspect that exposure to aerosols from samples, your handling could cause permanent or fetal illness, do not put them in this centrifuge.

Warning



NEVER centrifuge explosive or flammable substances.

Explosive or flammable items that ignite during a run will cause the centrifuge to explode, This centrifuge does not provide adequate protection from explosions or fires originating in the chamber.



Do not overfill tubes

Sample more than 70 percent full may leak during run.

This will expose to you and the centrifuge to sample aerosols that may make you ill or damage the centrifuge

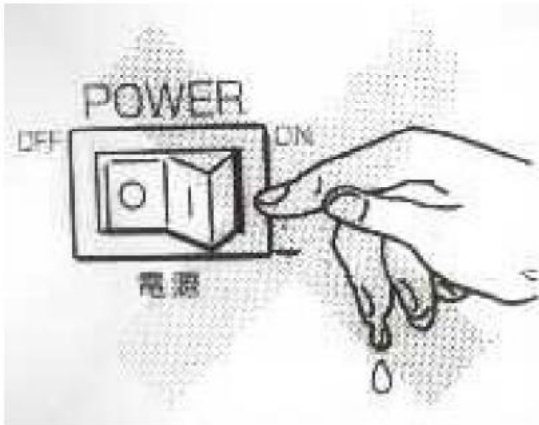


Use caps for tubes

Tubes without caps will cause the sample leaking during the run .This will expose to you and the centrifuge to

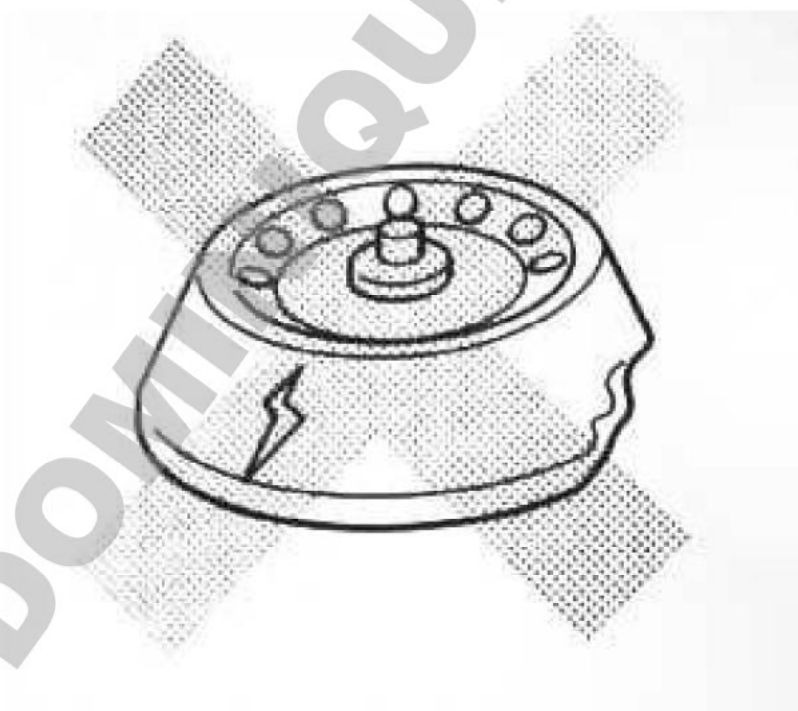
sample aerosols that may make you ill or may damage the centrifuge

Warning



Do not touch the power switch with wet hands.

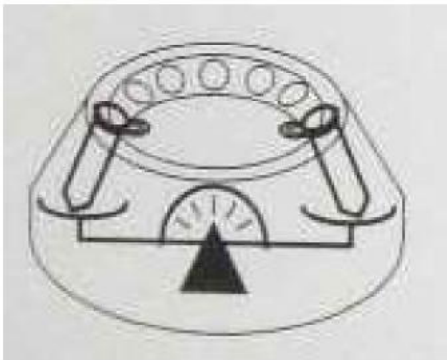
You may sustain a serious or deadly electrical shock.



Do not use

damaged or deformed rotors.

Rotors with compromised structures are subject to sudden and severe imbalances that will damage the centrifuge and may injure someone



Be sure to balance the load properly.

Unbalance loads will significantly reduce the life of the motor and centrifuge, In severe cases, Unbalances may damage the centrifuge and injure the operator.

Do not open the lid until rotor stop completely.

Injury may occur from moving parts.

Do not replace the fuse other those specified by

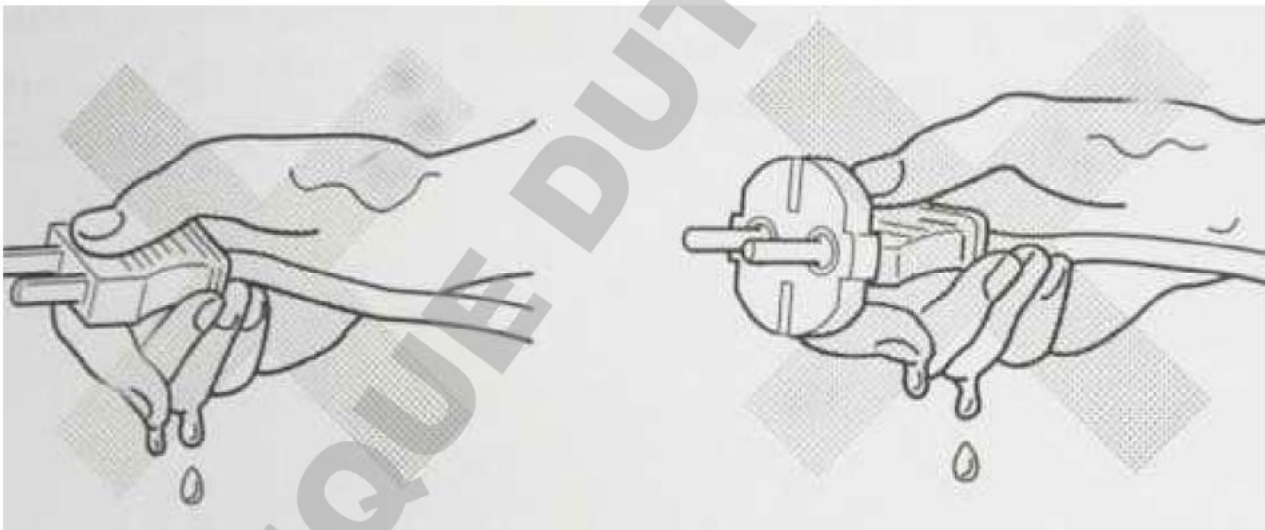
the manufacturer.

That will damage the centrifuge and may injure someone.

Warning

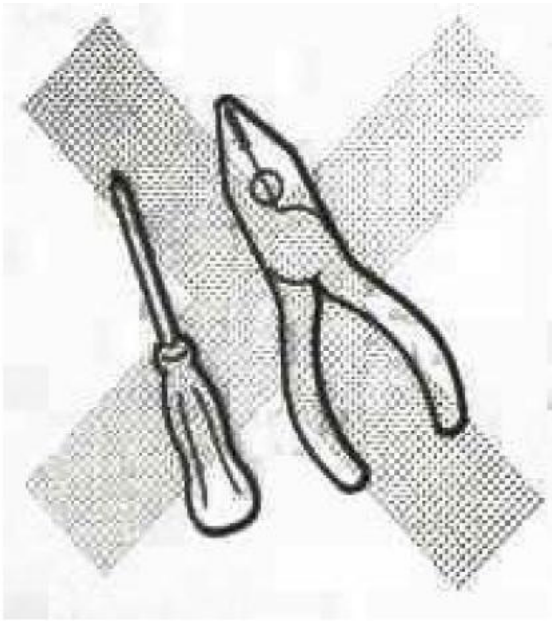
Do not touch the power plug with wet hands.

You may sustain a serious or deadly electrical shock.



Do not modify the centrifuge

Modification to the centrifuge may cause a serious malfunction, damage the centrifuge or cause injury to someone.

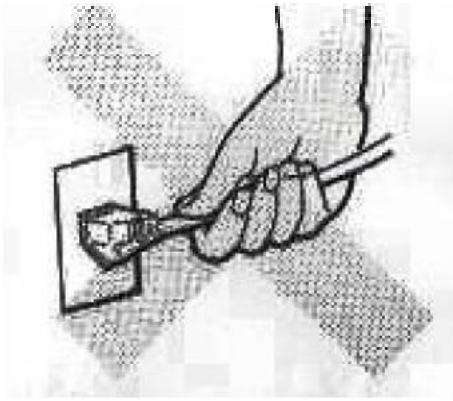


Unplug the power cord while not using

Stress to the cord may cause a loose connection in the plug and result in a fire.

Do not use accessories of parts other than those specified by the manufacturer.

Substituted accessories or parts that do not meet the manufacturer's performance specifications may cause serious damage to the centrifuge or injure someone.



Do not unplug the centrifuge with pulling the power cord.

Stress to the cord may cause a loose connection in the plug and result in fire.

VI. Routine maintenance

Warning

Never attempt to clean the centrifuge while it is plugged in or when the power is on.

.If the device or accessories are contaminated by a pathogenic, toxic, or radioactive substance etc, it is the user's responsibility to carry out appropriate decontamination while referring to the "WHO Laboratory Biosafety Manual, 2nd revised edition." etc.

When cleaning and decontamination , paying another mentioned more than this chapter are required, contact our company to check whether they are likely to damage the device or not.

If you are planning to return the device or accessories to our company or require repair, you must contact our company before sending these items to us , In some cases , a certificate of implementation of cleaning and decontamination may be required before the items shipped to us.

Check and clean your centrifuge at regular intervals or immediately after spills occur to prevent premature wear and safety hazards.