

**Bellco Glass, Inc.**  
**Specification Sheet**  
**Product #: 1965-95050**

**Description: Glass Ball Impeller Assembly Only**

**Size: 500mL**

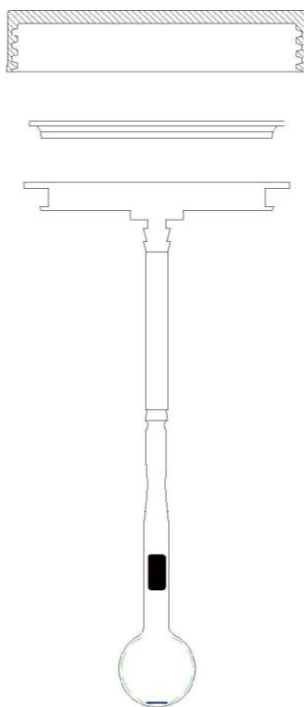
**Screw Cap: Blue PP, 100mm OD x 22.4mm T**

**Cap Seal: Teflon, 95.3mm OD x 10.4mm T**

**Sealing Ring: Blue silicone rubber, 91.4mm OD x 76.2mm ID x 6.1mm T**

**Flex Tube: Soft silicone, 57.2mm OAL, 0.312" OD x 0.248" ID**

**Magnet Tube: Type 1 Class A Borosilicate Glass, 110mm OAL, 28mm OD ball, houses one cast alnico magnet**



**The information contained in this specification sheet we believe is correct to the best of our knowledge. The recommendations and suggestions herein are made without guarantee or representation as to results. We recommend that adequate tests be made in your laboratory or plant to determine if this product meets all of your requirements.**



**BELLCO GLASS, INC.**



Bellco Glass, Inc. · 340 Edrudo Road · Vineland, NJ · 08360

Ver: 7/05