

Bellco Glass, Inc.
Specification Sheet
Product #: 1965-92001

Description: Glass Ball Spinner Comp, 100mL

Size: 100mL

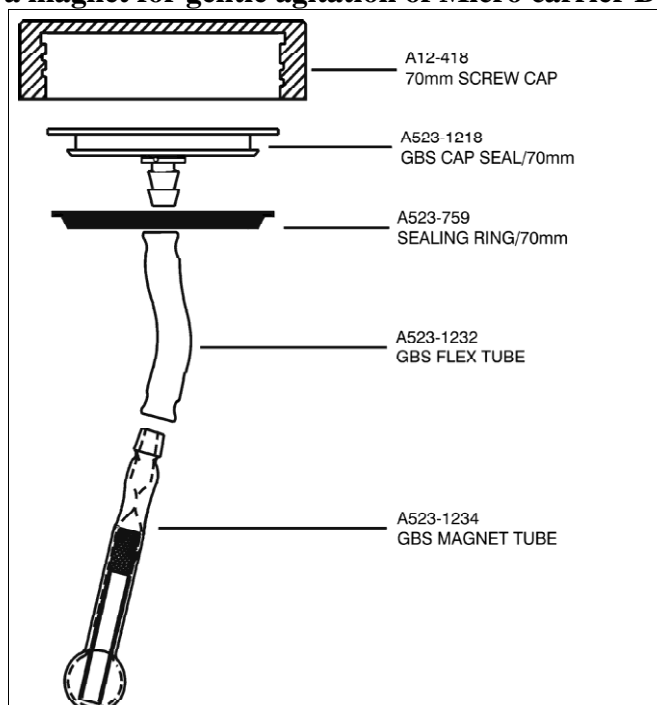
Material: Type 1 Class A Borosilicate Glass

Dimensions: Center cap: 70mm / Sidearm cap: 32mm / OAH X OD:135 X 65

100mm Screw Thread Center Neck

Specially Formed Bottom Indent Prevents Accumulation under impeller

Glass ball houses a magnet for gentle agitation of Micro carrier Beads



The information contained in this specification sheet we believe is correct to the best of our knowledge. The recommendations and suggestions herein are made without guarantee or representation as to results. We recommend that adequate tests be made in your laboratory or plant to determine if this product meets all of your requirements.



BELLCO GLASS, INC.



Bellco Glass, Inc. · 340 Edrudo Road · Vineland, NJ · 08360

Ver: 7/05