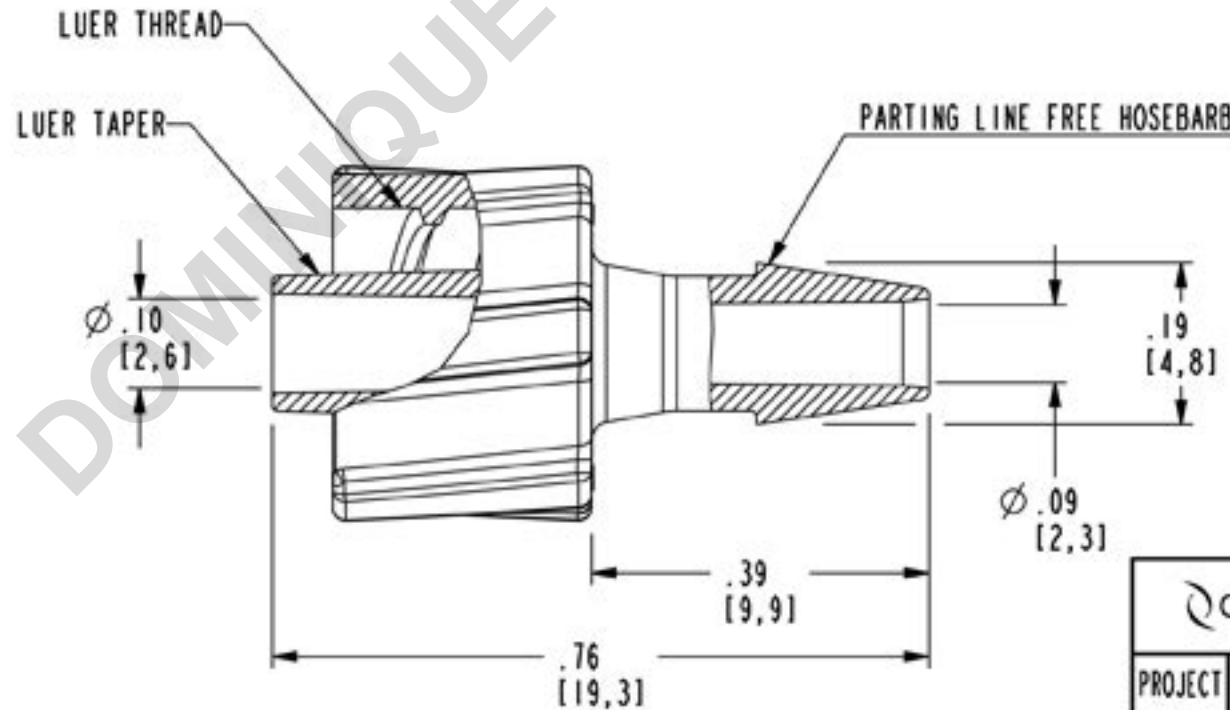


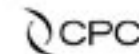
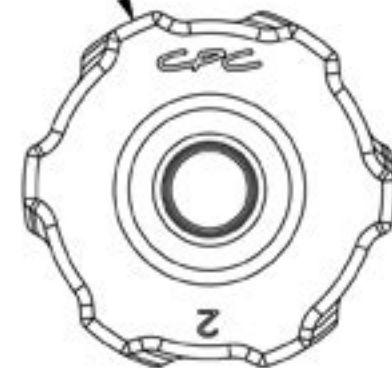
DWG NO: LM41-CUST

NOTES:

1 MATERIAL: POLYPROPYLENE
FDA 21 CFR 177.1500
RoHS COMPLIANT
ANIMAL FREE
USP CLASS VI
COLOR: NATURAL



$\phi .43$
[10,9]



1 800 444 2474

cpcworldwide.com

PROJECT 1/8 HB MALE LUER INTEGRAL LOCK RING
7362 (CUSTOMER DRAWING)

DWG BY: KRN

DATE: 06-30-09

CHKD BY:

MATL/FIN: SEE NOTE 1

DWG NO: LM41-CUST