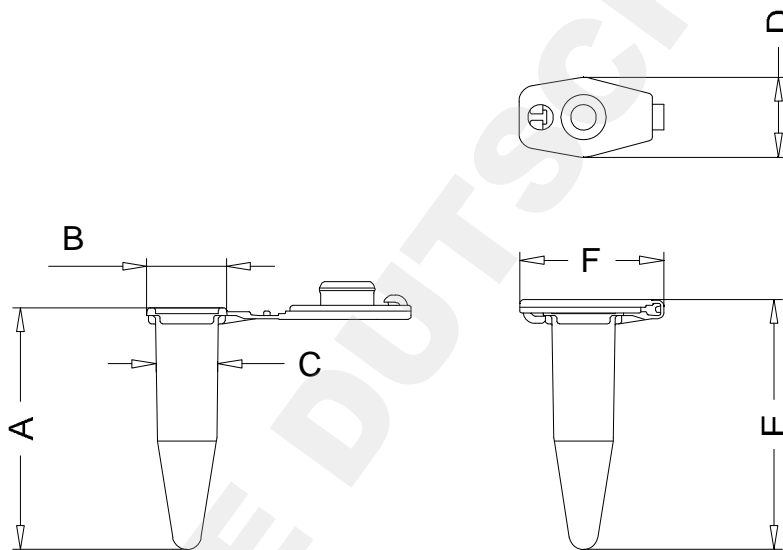


Micro Tube <i>SafeFit</i> 0,5 ml w/Cap PP					
<b>REF</b>	02-053-0100	02-053-0101	02-053-0102	02-053-0103	02-053-0104
	02-053-0107				



Not to Scale

REF		A	B	C	D	E	F
02-053-010x	Tube PP	30,2	Ø 10,0	Ø 7,9	10,0	31.3	ca 17.6

All dimensions in mm

Revision	Drawn	Approved	<b>Confidential:</b> Information contained in this document or drawing is confidential and proprietary to Paul Böttger OHG. This document may not be reproduced for any reason without written permission from Paul Böttger OHG. All rights of design, invention and copyright are reserved.
03	12.09.2011 QMB	12.09.2011 QMB	