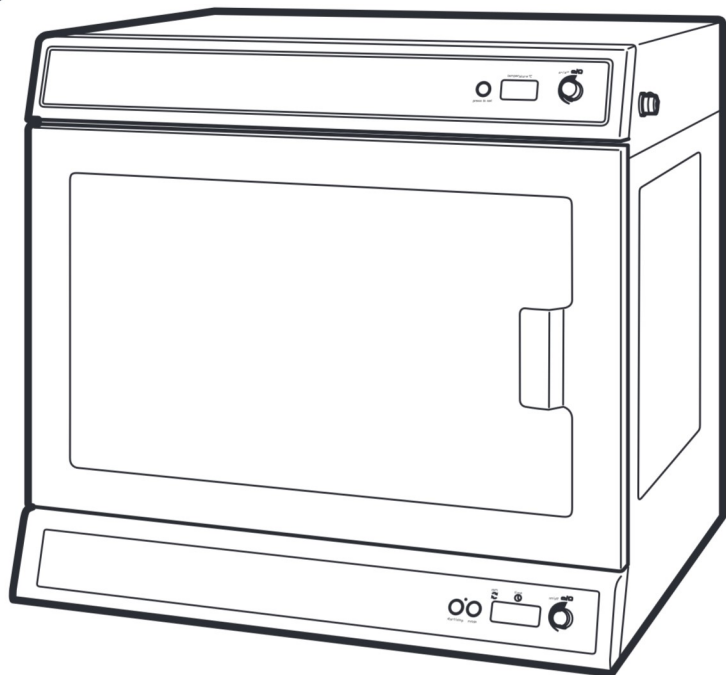
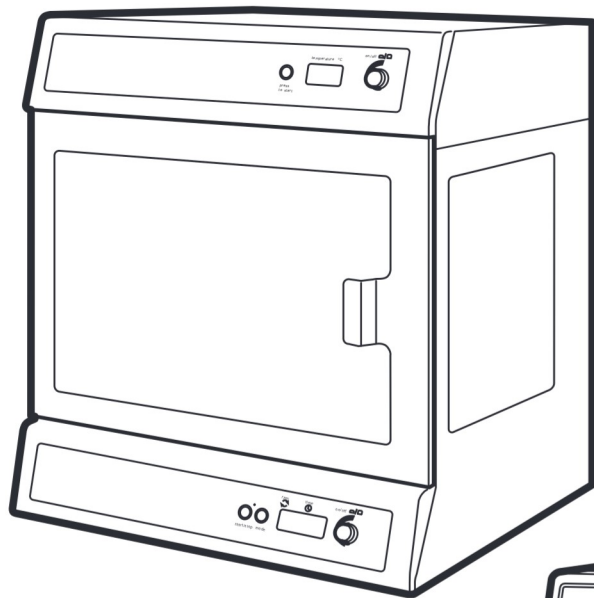


# Cole-Parmer®

SI-200 Series

Incubators

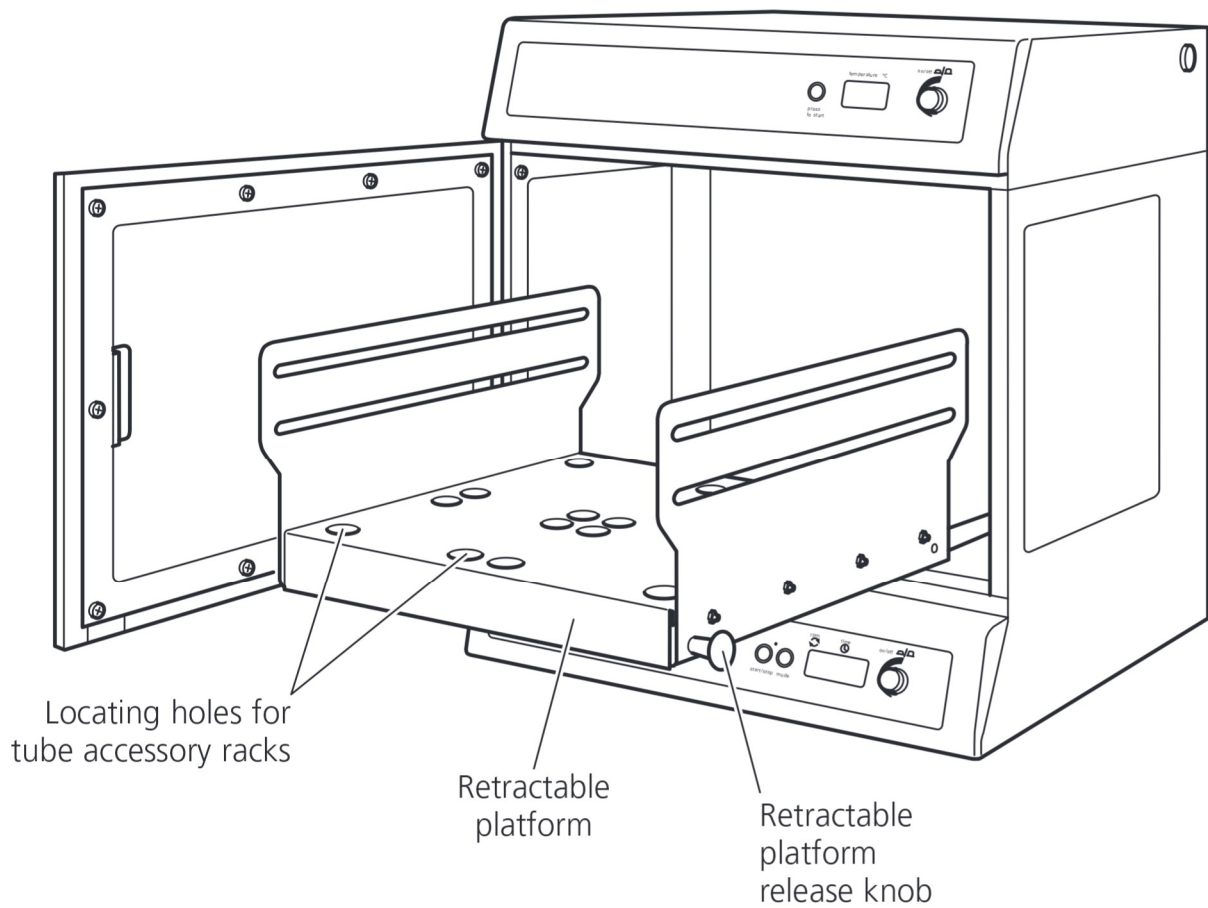
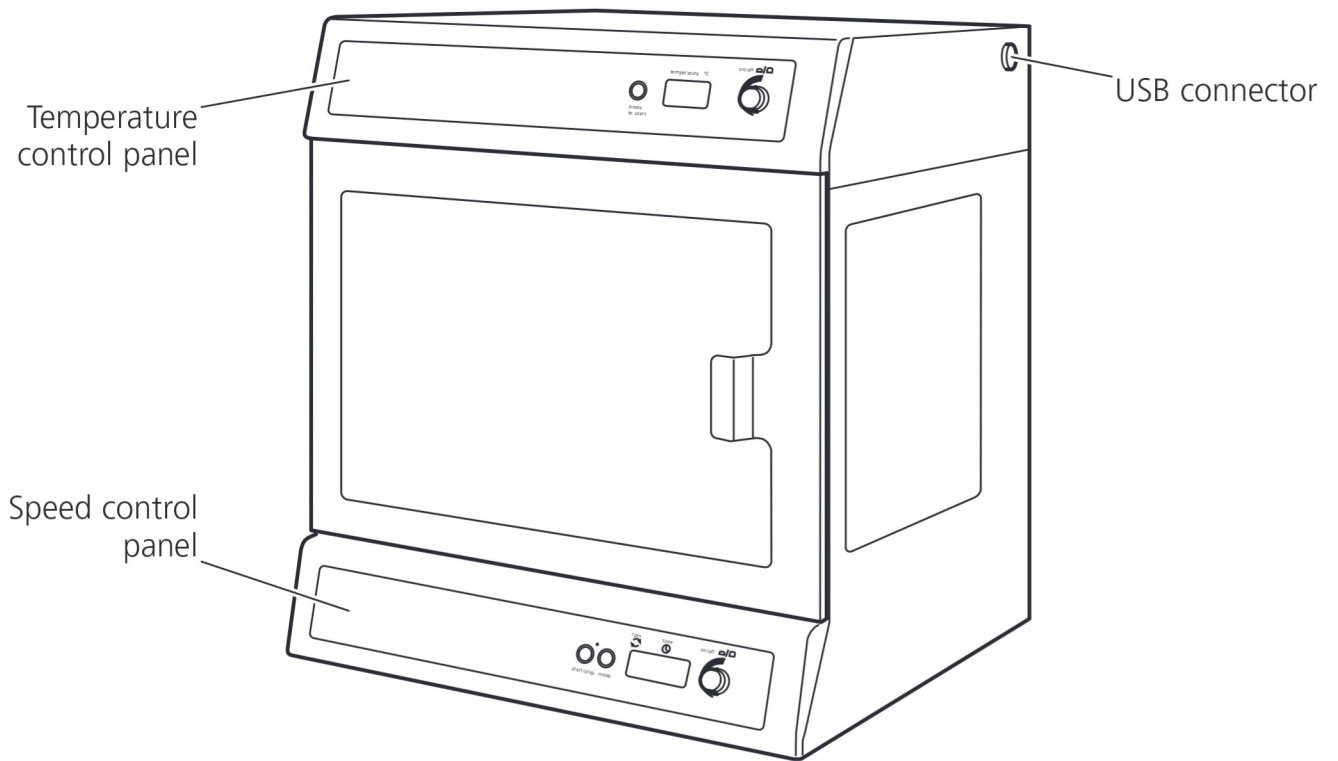


Instruction Manual

SI600-89 Version 2.4

**Cole-Parmer®**  
essentials

# English



# SHAKING INCUBATORS

## SI-200D, SIC-200D-L and SIC-200D-C

### Instructions for use

## 1. Introduction

Thank you for purchasing this piece of Cole-Parmer equipment. To get the best performance from this equipment please read these instructions carefully before use. Before discarding the packaging check that all parts are present and correct.

Item number	Description
HH179(S)	UK mains lead with plug
HH180(S)	EU mains lead with plug
SI600-89	Instruction manual
I/FCALUSB	USB cable
RSSL1 or SI600/1	Securing bars (4)
7001096	Guarantee card
SI600-214	Foot brackets (2) and screws (4) for
SIC-200D-L and SIC-200D-C	
<b>SIC-200D-C only:</b>	
SI600C-232	Washer (2)
SI600C-233	90° connectors (2)
SI600C-240	Condensate tubing (2)
SI600C-241	Coolant tubing (2)
SBS4074	Jubilee clip (1)
700198	Jubilee clips (4)

**For your own safety and that of others please read and understand the safety advice given below before using the equipment.**

## 2. Safety advice before use



If the equipment is not used in the manner described in this manual and with accessories other than those recommended by Antylia Scientific, the protection provided might be impaired.

*This equipment is designed to operate under the following conditions:*

- ❖ For indoor use only
- ❖ Use in a well ventilated area
- ❖ Ambient temperature range +5°C to +40°C
- ❖ Altitude to 2000m
- ❖ Relative humidity not exceeding 80%
- ❖ Mains supply fluctuation not exceeding 10%
- ❖ Over-voltage category II IEC60364-4-443
- ❖ Pollution degree 2

*Operational warnings and conditions:*



**CAUTION: HEAVY OBJECT. DO NOT ATTEMPT TO LIFT OR CARRY THE UNIT ALONE.**

- ❖ Use with a minimum distance all around of 200mm (100mm at the rear) from walls or other items.
- ❖ Not to be used to heat or mix materials which could result in liberation of gases, or cause explosions or implosions.
- ❖ Not to be used or placed in areas known to be hazardous.
- ❖ Never move or carry the unit when in use or connected to the mains electricity supply.
- ❖ When lifting or moving the unit, always lift from the base.
- ❖ Do not use in a hazardous atmosphere or with hazardous materials.
- ❖ Ensure that the load is balanced.
- ❖ Do not attempt to stop movement by hand.
- ❖ Do not lean on the open door of the SIC-200D-L or SIC-200D-C as this could cause the unit to tilt, particularly when the platform is extended. Furthermore, do not leave the incubator unattended with the door open.
- ❖ Fitting of feet brackets to the SIC-200D-L and SIC-200D-C is required prior to use (see 4.4).
- ❖ In the case of mains interruption, the unit will not restart on restoration of the electricity supply. In the case of mechanical interruption, (e.g. motor stall), the unit will continue operating on removal of interruption.
- ❖ Mechanical energy can lead to breakage of glass vessels. Use with care.



**USE CAUTION WHEN REMOVING VESSELS FROM THE INCUBATOR AS PARTS MAY BE HOT.**

## 3. General Description

The Cole-Parmer SI-200D, SIC-200D-L and SIC-200D-C orbital incubators are ideal for mixing and aerating various biological samples under accurate temperature controlled conditions. The rotating platform has a digital speed setting providing a smooth, uniform circular motion with an orbit of 16mm. The speed range is 30 to 300rpm. There is also an adjustable digital countdown timer that automatically stops after the set time (1 second steps to 1h, 1 minute steps to 24h or 1h steps to 9 days). The shaking platform has a drawer mechanism for easy access to the incubation vessels. The temperature is controlled by a simple "press to set" system in 0.1°C intervals from ambient +5°C to 60°C.

The model SIC-200D-C has the additional option of connecting to a recirculating chiller unit allowing for applications where sub-ambient temperature conditions (ambient -15°C, minimum 5°C) are required.

The incubators come fitted with a fully adjustable cradle system to accommodate a wide range of flasks and bottles. Optional accessories include racks to accommodate 1.5ml, 15ml and 50ml tubes.

## 4. Preparation for use

### 4.1 Electrical installation



**THIS INSTRUMENT MUST BE EARTHED**

Before connecting the instrument please read and understand these instructions and ensure that the line supply corresponds to that shown on the rating plate. The instrument is designed for use on 230V 50Hz. The power consumption of the unit is 300W for the SI-200D and 500W for the SIC-200D-L and SIC-200D-C. Ensure that a mains supply lead with the correct ratings for the product is used. The instrument is fitted with an IEC socket at the rear of the instrument for connection of the mains lead. The mains supply lead is the means of disconnection for the instrument.

**Caution: Fuses are fitted in both live and neutral lines.**

### Fuses:

230V - 3.15A anti surge fuse. For all other voltages always replace with an equivalent fuse type and rating as those being removed, alternatively see rating plate for fuse type and rating.

This unit is supplied with two mains leads fitted with IEC plugs for connection to the instrument. One lead has a U.K. 3 pin plug and the other has a 2-pin "Schuko" plug for connection to the mains. Choose the lead appropriate for your electrical installation and discard the other. Should neither lead be suitable, take the lead with the U.K. plug and replace the plug with a suitable alternative. This involves cutting off the moulded plug, preparing the cable and connecting to the rewirable plug in accordance with its instructions.

**IT IS IMPORTANT THAT THIS OPERATION SHOULD ONLY BE UNDERTAKEN BY A QUALIFIED ELECTRICIAN**

NOTE: Refer to the equipment's rating plate to ensure that the plug and fusing are suitable for the voltage and wattage stated. The wires in the mains cable are coloured as follows:

LIVE - BROWN  
NEUTRAL - BLUE  
EARTH - GREEN/YELLOW

The appropriate mains lead should be connected to the instrument BEFORE connection to the mains supply. Should the mains lead need replacement a cable of 1mm<sup>2</sup> of harmonised code H05VV-F connected to an IEC320 plug should be used. N.B. the U.K. mains lead is protected by a 10A fuse mounted in the plug top.

**IF IN DOUBT CONSULT A QUALIFIED ELECTRICIAN**

### 4.2 Positioning

Place the unit on a strong, sturdy, level, non-slip surface ensuring that there is sufficient free space on all sides without coming into contact with anything during use. Allow at least 100mm at the rear for easy access to the mains power

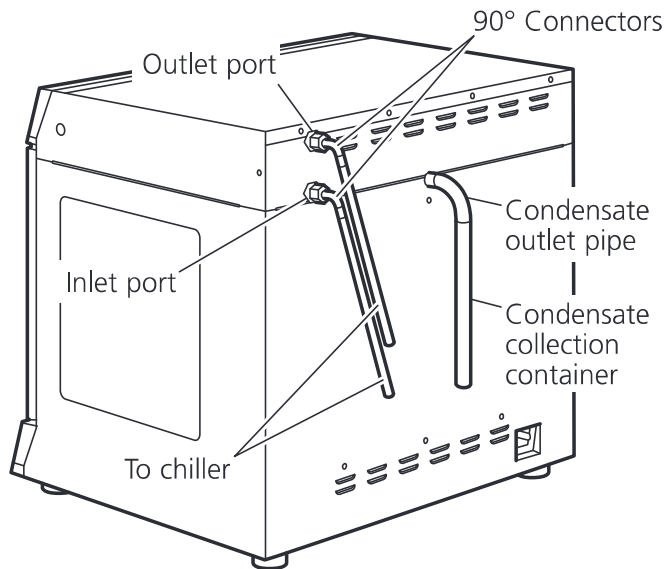


supply lead and 200mm at each side of the instrument.

#### 4.3 Connecting the SIC-200D-C to a recirculating chiller

In order to incubate at below ambient conditions, the SIC-200D-C must be connected to a recirculating chiller unit. Ensure that the chiller unit is situated on a solid surface and does not vibrate when the incubator is operating at maximum rpm. Connect the condensate tubing to the condensate outlet pipe and the other end to a waste collection container positioned lower than the condensate outlet pipe. Ensure the condensate collection container can hold a liquid volume at least as great as the chiller coolant volume.

Attach the 90° connectors supplied to the two connectors on the rear of the unit labelled INLET and OUTLET. Connect the 1.5m lengths of 8mm I.D. EPDM tubing to the connectors and secure with jubilee clips. Connect the other ends of the connectors to the ports of the chiller unit ensuring there are no kinks in the tubing to restrict flow; do not over-tighten.



Optimum performance will be obtained with the connection tubing as short as possible. Observe the specification of the chiller for acceptable tubing lengths and maximum head height. Place the chiller in a position which is safe in order to prevent accidental collision.

#### Coolant

For temperatures below 10°C, or as recommended in the chiller manual, a coolant must be used. A mix of 1:1 laboratory grade ethylene glycol and water is recommended. DO NOT use deionised water.

#### WARNING:

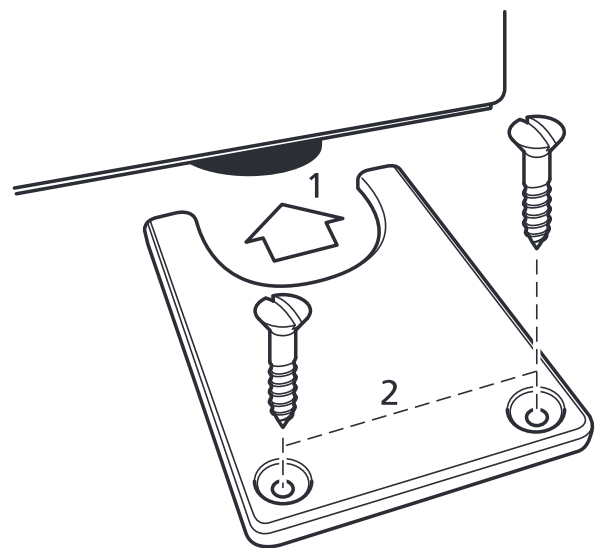
- ❖ Do not use flammable coolants.
- ❖ Consult the chiller manual to ensure a compatible fluid is used.
- ❖ The fluid must be compatible with the incubator's wetted parts which are brass, copper, EPDM rubber and nickel.



When using coolant below 0°C, there is the potential for condensate to form on the tubing. This can be reduced by insulating the tubing. Ensure all tubing is kept free of kinks and restrictions and is held tidily in place using tie wraps if necessary. Check for leaks by starting up the chiller pump before finally fixing the SIC-200D-C in position on the bench.

#### 4.4 Fixing feet brackets (SIC-200D-L and SIC-200D-C)

To prevent the unit from vibrating or moving during use, the SIC-200D-L and SIC-200D-C must be secured to the bench top using feet brackets. Two feet brackets are provided for securing the rear feet.



Ensure the unit is positioned correctly. From the sides of the unit, slide the feet brackets around

each of the rear feet (1). Secure in place by fixing with two No.8 x 20mm screws (2).

Connect to the electricity supply - DO NOT SWITCH ON.

#### 4.4 Loading

**Caution: keep loose items clear of the door before opening.**

Open the door. Pull the two black sprung release knobs either side of the cradle outwards towards the sides of the incubator and draw the cradle

platform out of the incubator towards you.

Load the cradle with vessels, adjusting the rubber-covered securing bars as required. Ensure that the load is evenly balanced and does not exceed the maximum load stated.

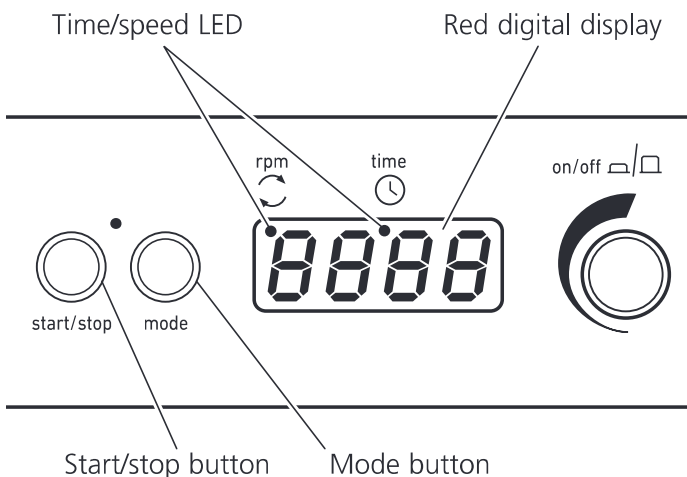
Gently push the platform back into the incubator until it locks in place. Close the door.

**N.B: Please ensure that the retractable platform has clicked and locked in place before attempting to operate the unit. Failure to do this can result in damage to the unit.**

## 5. Operation

### 5.1 Setting the speed

Using the keypad at the base of the instrument, switch the unit ON by pressing the control knob. Press the mode button until a red dot shows in the display below "rpm". The display will then show the last set speed. Adjust the speed by turning the control knob. The minimum speed is



30rpm and the maximum, 300rpm.

Once the correct speed is displayed press the start/stop button to begin motion. The speed can be adjusted without halting the unit. The unit can be halted at any time by pressing the start/stop button. If the door is opened while the unit is in motion a warning alert will sound and the motion will stop; the word "door" will also be momentarily displayed on the screen. Close the door to continue.

### 5.2 Setting the timer

In order to use the timer, stop the rotation and press the mode button so that the red dot in the display appears below "time". The display will

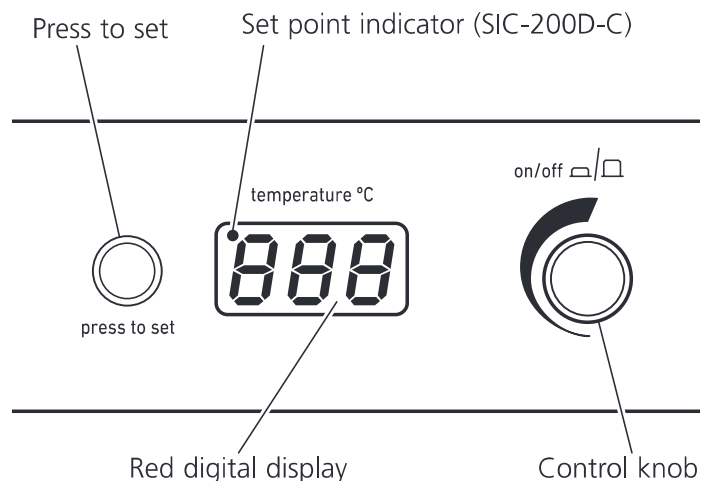
show three horizontal lines or the last stored time. Select the desired countdown time using the control knob. The time will be displayed first in minutes and seconds, next in hours and minutes then in days and hours up to a maximum of 9 days.

When the display shows the correct time, press the start/stop button to begin operating. During operation, motion can be paused at any time by pressing the start/stop button. If the button is pressed again, motion will start again and the timer will continue to count down. The timer can be adjusted without halting the unit. When the timer reaches zero, the unit will automatically stop and an alert will sound. If the door is opened while the unit is counting down, a warning alert will sound and the motion and countdown will stop; the word "door" will also be momentarily displayed on the screen. Close the door to continue and the countdown will resume from the point at which it was stopped.

**N.B to disable the timer and revert to continuous rotation, select - - - in the display during timer mode.**

### 5.3 Setting the temperature

Using the top control panel, switch the temperature control unit ON by pressing the control knob. Holding down the "press to set" button, turn the knob until the correct temperature is displayed. When holding the "press to set" button of the SIC-200D-C, a set point indicator will illuminate to confirm the set point. Release the "press to set button". The incubator will then begin to heat to the set temperature. The actual temperature inside the unit will be displayed on the screen. The minimum set temperature is ambient +5°C (ambient -15°C or 5°C minimum for the SIC-200D-C) and the maximum, 60°C.



#### 5.4 Incubation at sub-ambient temperatures (SIC-200D-C only)

The connected chiller unit should be switched on when it is required to incubate at around ambient temperature or below. Above these temperatures the chiller unit should be turned off. The chiller coolant temperature should be set at the required incubator temperature -15°C and within its own recommended limits. For example if an incubator temperature of 15°C is required, the chiller coolant should be set to 0°C. To obtain the specification quoted the coolant flow rate should be a minimum of 9 l/min. The recommended operating pressure is 1.0 to 2.0bar. The maximum safe pressure is 4.0bar.

When using the chiller, check the condensate collection container at regular intervals and that the condensation outlet tube is not blocked. Note that hazardous substances used within the incubator could remain within the condensation trap. The condensate should be disposed of in the same manner as the substances used within the incubator i.e. in a safe manner in compliance with environmental legislation.

It is recommended that after a period of prolonged use at low temperature the chiller unit is turned off and the unit is allowed to run at maximum temperature overnight to ensure that any moisture within the unit is dried out.\*

\*Note that during the drying-out process the SIC-200D-C cannot be assumed to meet all the safety requirements of 61010-1.

#### 5.5 USB Connectivity

Your incubator has capability to connect to a PC via USB for long term tracking of the incubator temperature, whilst left overnight for instance. Remove the waterproof cap from the USB port on the incubator and connect the included cable. Connect the other end of the cable to a free USB port on your PC. The latest version of our PC software is available for download from [www.coleparmer.com](http://www.coleparmer.com). Once downloaded, select run the program and follow the on screen commands.

## 6. Maintenance, servicing and repair

**WARNING: Ensure the unit is disconnected from the mains electricity supply by removing the mains power lead before attempting maintenance or servicing.**

This equipment does not require routine servicing. The only maintenance required is to clean internal and external surfaces with a damp cloth and mild detergent. Spillages or splashes should be cleaned up straightaway after isolating the unit from the mains electricity supply. Allow the unit to dry completely before operating again.

#### When using the SIC-200D-C with a chiller unit:

- ❖ Check the condition of the tubing on a regular basis.
- ❖ If the tubing or coolant needs replacing, do not connect or disconnect the tubing until the coolant is at room temperature.
- ❖ Avoid spillage of coolant when connecting or disconnecting tubing by disconnecting the top tube (Outlet) first to allow the coolant to drain.
- ❖ If any of the tubes are blocked, do not attempt to unblock them by inhaling or blowing on the tubing. Replace the tube.

#### 6.1 Repairs and support

Any repairs or replacement of parts **MUST** be undertaken by suitably qualified personnel.

**Only spare parts supplied or specified by Antylia Scientific or its agent should be used. Fitting of non-approved parts may affect the performance of the safety features designed into the instrument.**

For a comprehensive list of parts required by service engineers conducting internal repairs, or to receive a service manual, please contact the Service Department at;  
[cpSERVICE@antylia.com](mailto:cpSERVICE@antylia.com)  
Tel: +44 (0)1785 810475  
Quote both the model and serial number.

For any other technical enquiries, please contact the Technical Support Department at:  
[cpTECHSUPPORT@antylia.com](mailto:cpTECHSUPPORT@antylia.com)  
Tel: +44 (0)1785 810433

## 7. Accessories

Code	Description
SI500/1	Tube holder 64 x 1.5ml tubes
SI500/2	Tube holder 25 x 15ml tubes
SI500/3	Tube holder 12 x 50ml tubes
SI500/4	Tube holder 16 x 30ml universal container
RSSL1	Spare securing bar for SI-200D
SI600/1	Spare securing bar for SIC-200D-L
SI600C-232	Washer
SI600C-233	90° connector
SI600C-240	Condensate tubing
SI600C-241	Coolant tubing
SBS4074	Jubilee clip
700198	Jubilee clip

## 8. Specification

	SI-200D	SIC-200D-L	SIC-200D-C*
<b>Technical specification</b>			
Temperature range	Ambient +5°C to 60°C	Ambient +5°C to 60°C	+5°C to 60°C
Temperature display resolution	0.1°C	0.1°C	0.1°C
Temperature accuracy <sup>1</sup>	±0.5°C	±0.5°C	±0.5°C
Temperature fluctuation <sup>1</sup>	±0.5°C (at 37°C)	±0.5°C (at 37°C)	±0.5°C (at 37°C)
Temperature variation <sup>2</sup>	±0.5°C	±0.5°C	±0.5°C
Speed range	30 to 300 rpm	30 to 300 rpm	30 to 300 rpm
Orbit diameter	16mm	16mm	16mm
Warm up time 20-60°C <sup>3</sup>	<30 min	<30 min	<30 min
Cool-down time 20-5°C <sup>3</sup>	-	-	<60 min
Maximum load	10kg	10kg	10kg
Maximum safe coolant pressure	-	-	4.0bar
Net weight	30kg	53kg	60kg
Heating power rating	250W	400W	400W
Electrical supply	230V, 50Hz, 300W	230V, 50Hz, 500W	230V, 50Hz, 500W
<b>External dimensions</b>			
Height	522mm	640mm	640mm
Depth	474mm	542mm	542mm
Width	450mm	675mm	675mm
<b>Incubator internal dimensions</b>			
Height	297mm	395mm	380mm
Depth	408mm	455mm	465mm
Width	422mm	625mm	625mm
Maximum vessel height	250mm	320mm	320mm
Platform size	335 x 335mm	525 x 390mm	525 x 390mm
<b>Incubator capacity</b>			
2800ml Fernbach flasks	0	2	2
2000ml conical flasks	0	6	6
1000ml conical flasks	4	9	9
500ml conical flasks	9	15	15
Magnetic accessories	4	6	6

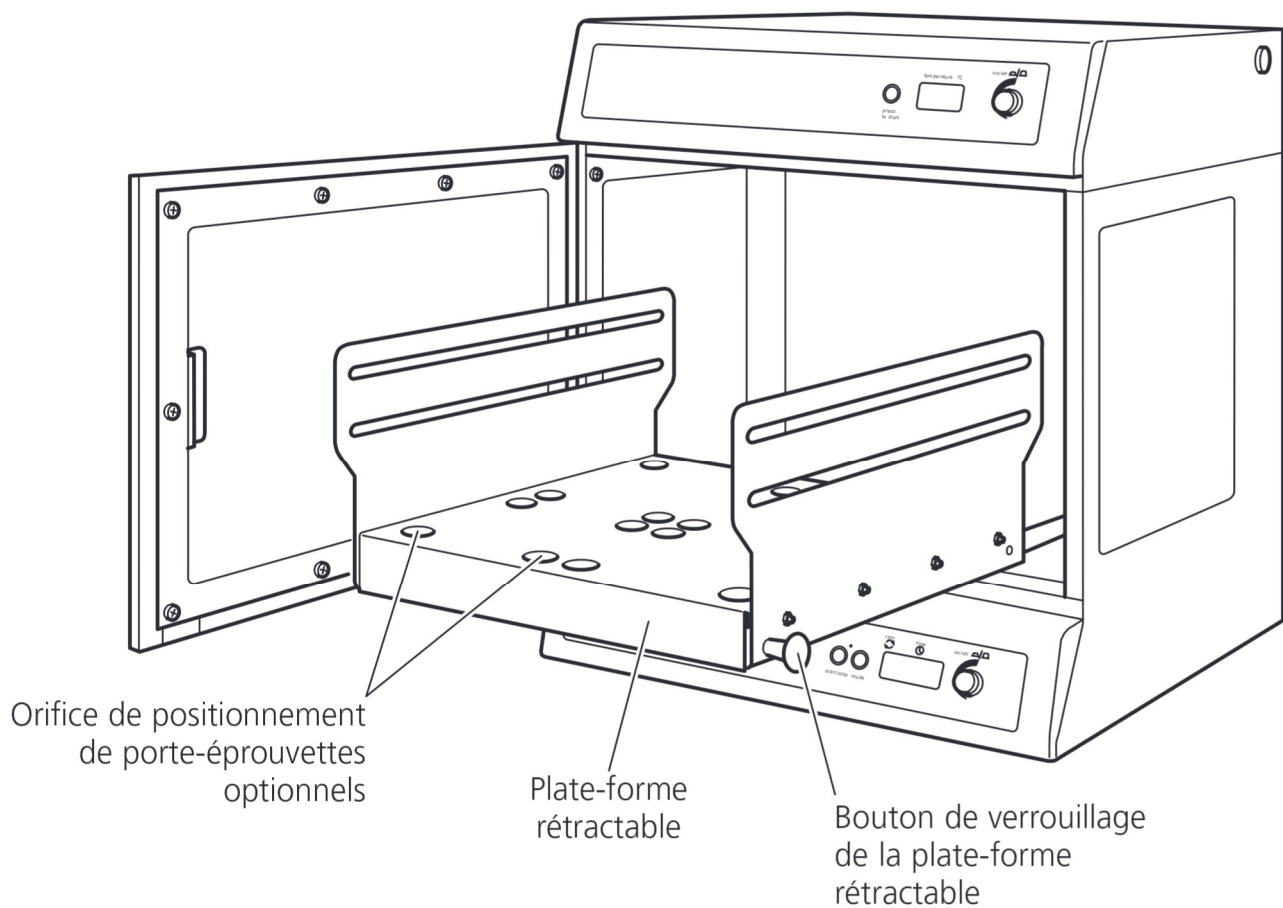
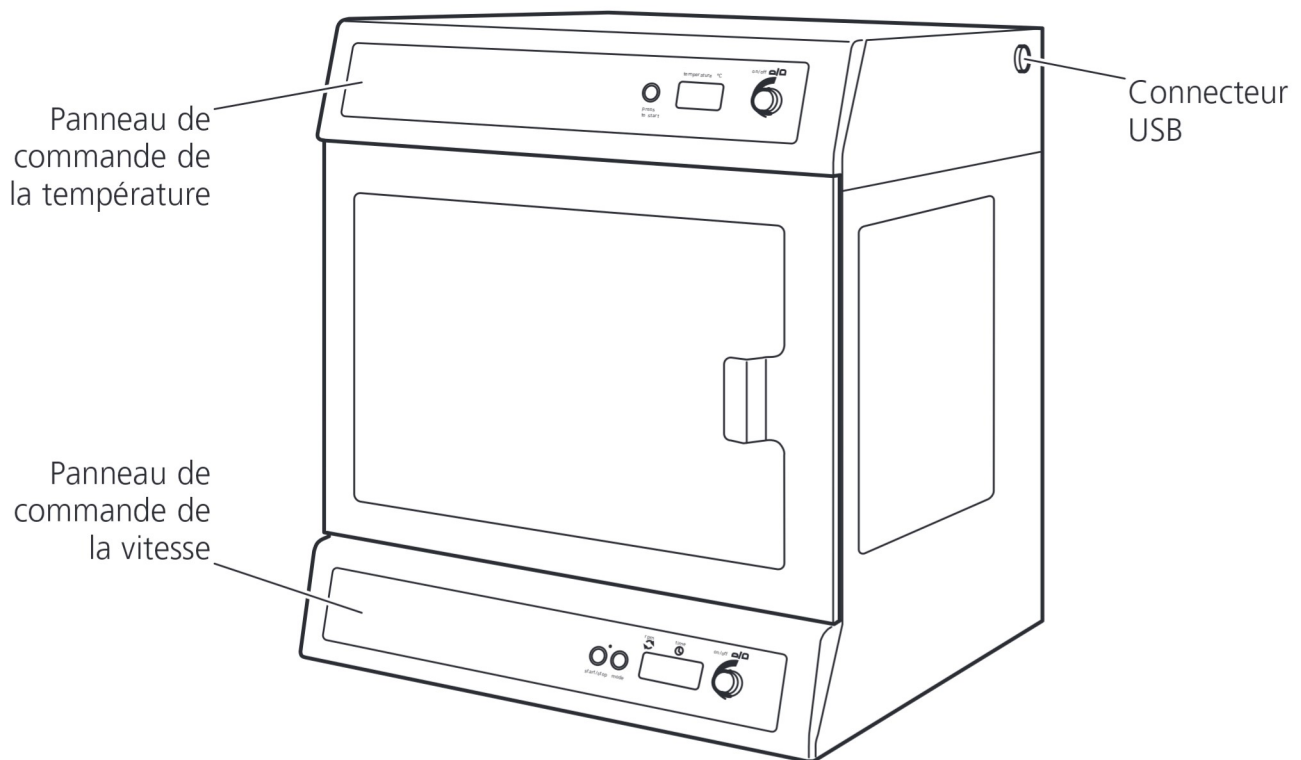
\*Specification where cooling achieved using a Cole-Parmer SRC4 Recirculating Cooler. The cooling specifications may be affected by the capability of the chiller unit used.

<sup>1</sup>At 37°C, ambient 20°C +/- 2°C, no load, measured in the centre of the unit.

<sup>2</sup>At 37°C, ambient 20°C +/- 2°C, no load, measured across the area of the shaker in the centre of the unit.

<sup>3</sup>Ambient 20°C +/- 2°C.





# AGITATEUR INCUBATEURS SI-200D, SIC-200D-L Instructions d'utilisation

## 1. Introduction

Nous vous remercions d'avoir fait l'acquisition de cet équipement Cole-Parmer. Pour profiter au mieux des performances de cet équipement, lisez attentivement ces instructions avant toute utilisation. Avant de jeter l'emballage, vérifiez que tous les éléments sont présents et en bon état.

Numéro de l'article	Description
HH179(S)	Cordons d'alimentation équipés de prises R.-U.
HH180(S)	Cordons d'alimentation équipés de prises CEE
SI600-89	Manuel d'instructions
I/FCALUSB	Câble USB
RSSL1 ou SI600/1	Barres de fixation (4)
7001096	Label de garantie
SI600-214	Supports de pieds (2) et vis(4) <b>pour SIC-200D-L et SIC-200D-C</b>

### SIC-200D-C uniquement :

SI600C-232	Rondelle (2)
SI600C-233	Connecteurs à angle droit (2)
SI600C-240	Tuyau de condensat
SI600C-241	Tuyau de refroidissement (2)
SBS4074	Collier de serrage (1)
700198	Colliers de serrage (4)

Pour votre propre sécurité ainsi que pour celle d'autrui, assurez-vous de lire et de parfaitement comprendre les consignes de sécurité décrites ci-dessous avant d'utiliser l'appareil.

## 2. Consignes de sécurité



Si l'appareil n'est pas utilisé conformément aux directives détaillées dans ce manuel ou avec des accessoires différents de ceux recommandés par Antylia Scientific, la protection fournie risque d'être inefficace.

Cet appareil est conçu pour fonctionner dans les conditions environnementales suivantes :

- ❖ Utilisation à l'intérieur uniquement
- ❖ Utilisation dans un lieu correctement ventilé
- ❖ Température ambiante de +5 °C à +40 °C
- ❖ Altitude maximale de 2000 m
- ❖ Taux d'humidité relative de 80 % au plus
- ❖ Fluctuations de l'alimentation secteur ne dépassant pas 10 %
- ❖ Surtension de catégorie II IEC60364-4-443
- ❖ Degré de pollution 2

*Avertissements et conditions de fonctionnement :*



**ATTENTION : OBJET LOURD. NE PAS ESSAYER DE SOULEVER OU DE TRANSPORTER L'APPAREIL SEUL.**

- ❖ Laisser une distance minimum autour de l'appareil 200 mm (100 mm à l'arrière) par rapport aux murs ou aux autres éléments.
- ❖ Ne pas utiliser pour chauffer ou mélanger des matières susceptibles de dégager des gaz, ou de provoquer des explosions ou des implosions.
- ❖ Ne pas utiliser ou installer l'appareil dans des zones dangereuses.
- ❖ Ne jamais déplacer ou porter l'appareil lorsqu'il est en fonctionnement ou connecté à l'alimentation secteur.
- ❖ Pendant les soulèvements et les déplacements, toujours soulever l'appareil par la base.
- ❖ Ne pas utiliser dans une atmosphère dangereuse ou en présence de substances dangereuses.
- ❖ S'assurer de l'équilibre de la charge.
- ❖ Ne pas tenter de stopper le mouvement de l'appareil manuellement.
- ❖ Ne pas s'appuyer sur la porte ouverte du SIC-200D-L ou SIC-200D-C car cela peut faire basculer l'appareil, en particulier quand la plate-forme est dépliée. En outre, ne pas laisser l'incubateur sans surveillance quand la porte est ouverte.
- ❖ La fixation des supports de pieds sur le SIC-200D-L et le SIC-200D-C est nécessaire avant emploi (voir 4.4).
- ❖ En cas de coupure de l'alimentation secteur, l'appareil ne redémarrera pas à rétablissement de l'alimentation. En cas d'interruption mécanique (par exemple, en cas de calage du moteur), l'appareil reprendra son fonctionnement une fois la cause de l'interruption corrigée.
- ❖ L'énergie mécanique peut provoquer le bris des récipients en verre. À utiliser avec précaution.



**PRENDRE DES PRÉCAUTIONS LORS DU RETRAIT DES RÉCIPIENTS DE L'INCUBATEUR CAR CERTAINES PARTIES PEUVENT ÊTRE CHAUDES.**

## 3. Description générale

Les incubateurs orbitaux Cole-Parmer SI-200D, SIC-200D-L et SIC-200D-C sont parfaits pour le mélange ou l'aération d'échantillons biologiques variés dans des conditions de contrôle précis de la température. Sa plate-forme rotative dispose d'un système de réglage numérique de la vitesse, pour produire un mouvement circulaire uniforme et régulier, avec une orbite de 16 mm. Elle atteint une vitesse de rotation de 30 à 300 tr/min. L'incubateur est également équipé d'une minuterie numérique réglable qui contrôle l'arrêt automatique de l'appareil une fois le délai prédéfini écoulé (pas d'1 seconde à 1 heure, pas d'1 minute à 24 heures ou pas d'1 heure à 9 jours). La plate-forme d'agitation est équipée d'un mécanisme coulissant pour permettre un accès facile aux récipients d'incubation. La température est contrôlée par un système de réglage simple par pression sur un bouton, par intervalles de 0,1 °C, de la température ambiante +5 °C et jusqu'à 60 °C.

Le modèle SIC-200D-C peut également se brancher sur un refroidisseur à circulation pour les applications nécessitant des températures inférieures à la température ambiante (température ambiante -15 °C, minimum 5 °C).

Les incubateurs sont livrés avec un système de réceptacles totalement réglable afin d'accueillir une large gamme de flacons et de bouteilles. Les accessoires optionnels comportent des casiers pouvant accueillir des éprouvettes de 1,5 ml, 15 ml et 50 ml.

## 4. Préparation à l'utilisation

### 4.1 Installation électrique



**CET APPAREIL DOIT ÊTRE MIS À LA TERRE.**

Avant de connecter l'appareil, assurez-vous de lire et de parfaitement comprendre ces instructions. Vérifiez que l'alimentation secteur correspond aux caractéristiques indiquées sur la plaque

signalétique. Cet appareil est conçu pour une utilisation avec une alimentation de 230 V et 50 Hz. La consommation électrique de l'appareil est de 300 W pour le SI500 et de 500 W pour le SIC-200D-L et le SIC-200D-C. S'assurer qu'un cordon d'alimentation correspondant à la tension requise est utilisé. L'instrument est livré avec une prise CEI à l'arrière pour le branchement à l'alimentation secteur. Pour isoler l'instrument de l'alimentation électrique, débrancher le cordon d'alimentation.

**Attention: des fusibles sont installés sur les lignes de phase et de neutre.**

#### Fusibles:

Fusibles de 230 V - 3,15 A anti-surtensions. Pour toutes les autres tensions, remplacez toujours un fusible par un fusible de type et de calibre équivalents. Vous pouvez également vous reporter à la plaque signalétique pour connaître le type et le calibre des fusibles.

L'appareil est fourni avec deux cordons d'alimentation équipés de fiches CEI. L'un de ces cordons est équipé d'une fiche britannique à 3 broches et l'autre est équipé d'une fiche "Schuko" à deux broches. Choisissez le cordon d'alimentation adapté à votre installation électrique et mettez l'autre de côté. Si aucun des cordons ne convient, utilisez le cordon équipé d'une fiche britannique après avoir remplacé celle-ci par une fiche appropriée. Pour ce faire, coupez le cordon du côté de la fiche moulée, préparez les fils et connectez-les à une fiche démontable, conformément aux instructions fournies avec cette dernière.

**IL EST IMPORTANT QUE CETTE OPÉRATION SOIT RÉALISÉE PAR UN ÉLECTRICIEN QUALIFIÉ UNIQUEMENT.**

REMARQUE: Reportez-vous à la plaque signalétique de l'appareil afin de vous assurer que la fiche et les fusibles sont adaptés à la tension et à la puissance mentionnées. Les couleurs des fils du cordon d'alimentation sont les suivantes :

PHASE	-	MARRON
NEUTRE	-	BLEU
TERRE	-	VERT/JAUNE

Le cordon d'alimentation approprié doit être connecté à l'appareil AVANT de le connecter à

une prise secteur. Si le cordon d'alimentation doit être remplacé, utilisez un câble d'1mm<sup>2</sup> de type H05VV-F harmonisé, connecté à une fiche IEC320. Remarque: Le cordon d'alimentation équipé d'une fiche britannique est protégé par un fusible de 10 A monté dans la partie supérieure de la fiche.

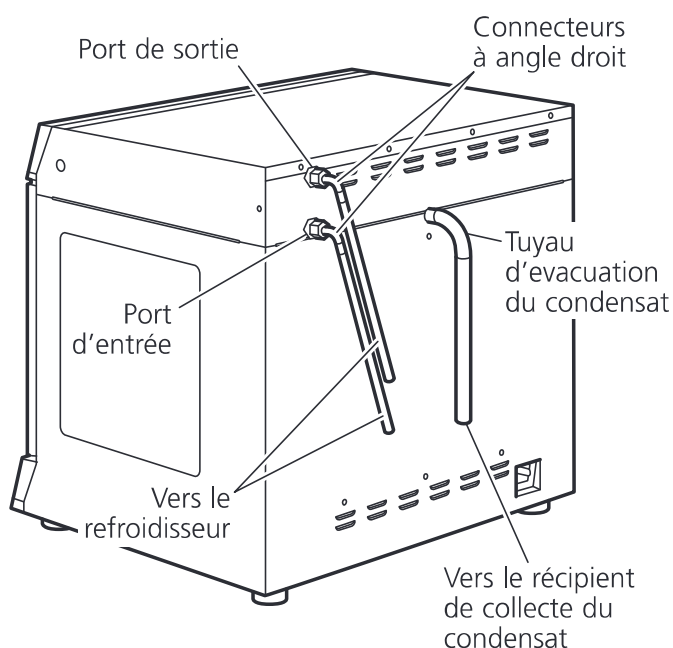
### EN CAS DE DOUTE, CONSULTEZ UN ÉLECTRICIEN QUALIFIÉ.

#### 4.2 Positionnement

Placer l'appareil sur une surface solide, plane, non glissante, en s'assurant de disposer d'un espace libre suffisant de tous les côtés garantissant l'absence de tout contact pendant l'utilisation. Laisser au moins 100 mm à l'arrière pour faciliter l'accès au cordon d'alimentation électrique et 200 mm de chaque côté de l'instrument.

#### 4.3 Connexion de l'appareil SIC-200D-C à un refroidisseur à circulation

Pour permettre une incubation à une température inférieure à la température ambiante, le SIC-200D-C doit être connecté à un refroidisseur à circulation. S'assurer que le refroidisseur se trouve sur une surface solide et qu'il ne vibre pas lorsque l'incubateur fonctionne à vitesse maximale. Brancher une extrémité du tuyau de condensat au tuyau d'évacuation du condensat et l'autre extrémité au récipient de collecte du condensat situé à une hauteur inférieure à celle du tuyau d'évacuation du condensat. S'assurer que le récipient de collecte de condensat peut contenir une quantité de liquide au moins égale à la quantité de liquide de refroidissement.



Fixer les connecteurs à angle droit fournis aux deux connecteurs situés à l'arrière de l'appareil (INLET (entrée) et OUTLET (sortie)). Brancher les tuyaux en EPDM d'1,5 m de long et de 8 mm de diamètre interne sur les connecteurs et les maintenir en place à l'aide des colliers de serrage. Connecter l'autre extrémité des tuyaux aux ports du refroidisseur en veillant à ce qu'aucune déformation de tuyau ne restreigne le flux. Ne pas trop serrer.

Pour des performances optimales, utiliser des tuyaux de connexion aussi courts que possible. Se référer aux spécifications du refroidisseur pour les longueurs de tuyau acceptables et la hauteur de tête maximale. Placer le refroidisseur à un emplacement sûr afin d'éviter toute collision accidentelle.

#### Liquide de refroidissement

Pour les températures inférieures à 10 °C, ou chaque fois que cela est recommandé dans le manuel, un liquide de refroidissement doit être utilisé. Un mélange 1:1 d'éthylène glycol de laboratoire et d'eau est recommandé. NE PAS utiliser d'eau désionisée.

#### ATTENTION :



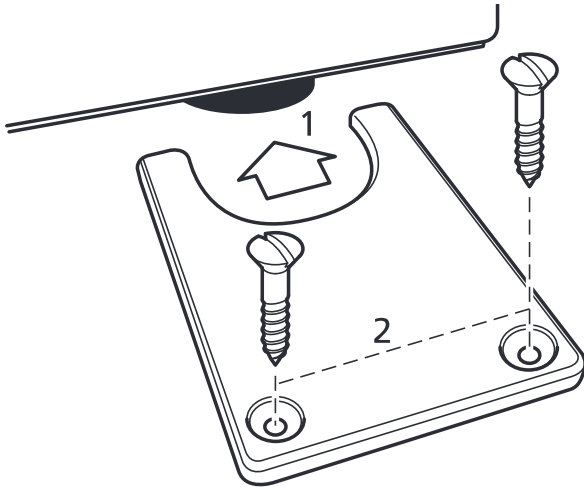
- ❖ Ne pas utiliser de liquides de refroidissement inflammables.
- ❖ Se référer au manuel du refroidisseur pour s'assurer qu'un liquide compatible est utilisé.
- ❖ Le liquide doit être compatible avec les pièces d'incubateur en laiton, cuivre, caoutchouc EPDM et nickel qui entrent en contact avec lui.

Lors de l'utilisation d'un liquide de refroidissement à une température inférieure à 0 °C, un condensat peut se former sur les tuyaux. Ce risque peut être réduit en isolant les tuyaux. S'assurer que les tuyaux ne présentent aucune déformation ni aucune restriction et qu'ils sont correctement maintenus en place à l'aide de serre-câbles, le cas échéant. Déterminer si des fuites sont présentes en allumant la pompe du refroidisseur avant de fixer le SIC-200D-C en place sur la paillasse.



#### 4.4 Fixation des supports de pieds (SIC-200D-L et SIC-200D-C)

Pour empêcher l'appareil de vibrer ou de se déplacer pendant son utilisation, le SIC-200D-L et le SIC-200D-C doivent être fixés à la paillasse à l'aide de supports de pieds. Deux supports de pieds sont fournis pour la fixation des pieds arrière.



S'assurer que l'appareil est positionné correctement. Depuis les côtés de l'appareil, faire glisser les supports de pieds autour de chacun des pieds arrière (1). Les fixer en place à l'aide des deux vis n° 8 x 20 mm (2).

Brancher l'alimentation électrique - NE PAS METTRE SOUS TENSION.

#### 4.5 Chargement

**Attention : tenir les objets lâches à l'écart de la porte avant de l'ouvrir.**

Ouvrir la porte. Tirer vers l'extérieur les deux molettes à ressort noires de chaque côté du support, en direction des côtés de l'incubateur et sortir la plate-forme du support de l'incubateur vers soi.

Charger le support avec les récipients, si nécessaire en réglant les barres de fixation caoutchoutées. S'assurer que la charge est répartie de façon équilibrée et qu'elle ne dépasse pas la charge maximale autorisée.

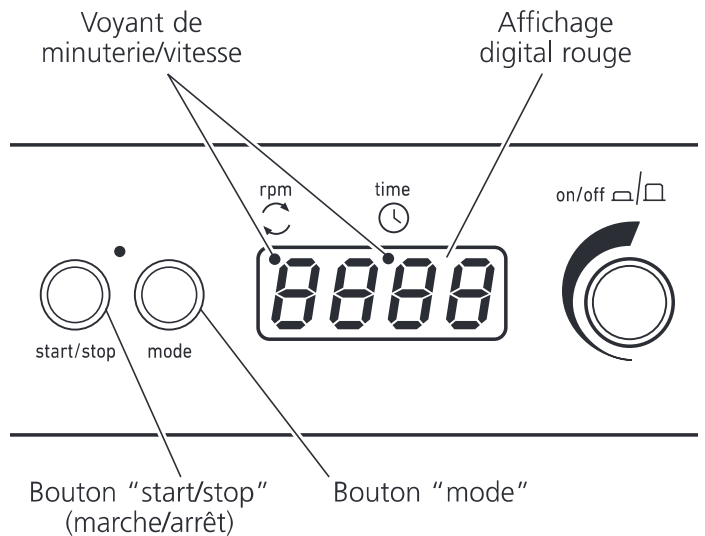
Repousser doucement la plate-forme dans l'incubateur jusqu'à ce qu'elle se verrouille en place. Fermer la porte.

**Remarque : assurez-vous que la plate-forme rétractable a émis un clic et s'est bloquée dans la position appropriée avant de mettre l'appareil en marche. Dans le cas contraire, vous risqueriez d'endommager l'appareil.**

## 5. Utilisation

### 5.1 Réglage de la vitesse

Mettez l'appareil sous tension (ON) en appuyant sur le bouton de commande du panneau situé à la base de l'appareil. Appuyez sur le bouton "mode" jusqu'à ce qu'un point rouge apparaisse sur l'écran d'affichage, sous l'indication "rpm". L'écran d'affichage indique alors la dernière vitesse définie. Réglez la vitesse en tournant le bouton de commande. La vitesse minimale est de 30 tr/min et la vitesse maximale est de 300 tr/min.



Lorsque la vitesse souhaitée s'affiche, appuyez sur le bouton "start/stop" (marche/arrêt) pour lancer la rotation. Il est possible de régler la vitesse sans arrêter l'appareil. Vous pouvez arrêter l'appareil à tout moment en appuyant sur le bouton "start/stop" (marche/arrêt). Si la porte est ouverte alors que l'appareil est en fonctionnement, une alarme retentit et le mouvement de l'appareil est interrompu. Le mot "door" (porte) s'affiche à l'écran durant quelques instants. Refermez la porte pour continuer.

### 5.2 Réglage de la minuterie

Pour utiliser la minuterie, arrêtez la rotation de l'appareil et appuyez sur le bouton "mode" afin qu'un point rouge s'affiche à l'écran sous l'indication "time" (durée). L'écran affiche alors trois lignes horizontales ou la dernière durée mémorisée. Sélectionnez la durée de compte à rebours souhaitée à l'aide du bouton de commande. La durée de compte à rebours s'affiche tout d'abord en minutes et en secondes, puis en heures et en minutes et enfin en jours et en heures, jusqu'à un maximum de 9 jours.

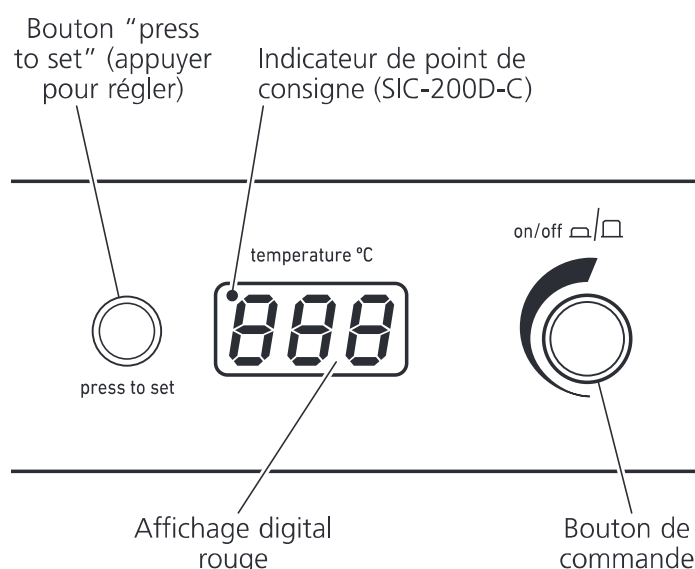


Lorsque l'écran affiche la durée souhaitée, appuyez sur le bouton "start/stop" (marche/arrêt) afin de mettre l'appareil en marche. Il est possible d'arrêter l'appareil à tout moment en cours de fonctionnement en appuyant sur le bouton "start/stop". Si vous appuyez de nouveau sur ce bouton, l'appareil se remet en marche et la minuterie reprend son décompte. Il est possible de régler la minuterie sans arrêter l'appareil. Lorsque la minuterie atteint zéro, l'appareil s'arrête automatiquement et émet un avertissement sonore. Si la porte est ouverte alors que la minuterie est en marche, une alarme retentit, le mouvement de l'appareil et le décompte de la minuterie sont interrompus et le mot "door" (porte) s'affiche à l'écran durant quelques instants. Refermez la porte pour remettre l'appareil en marche. Le décompte de la minuterie reprend au stade où il avait été arrêté.

**Remarque : pour désactiver la minuterie et utiliser l'appareil en mode de rotation continue, sélectionnez le réglage - - - affiché sur l'écran en mode Minuterie.**

### 5.3 Réglage de la température

Mettez en marche le système de contrôle de la température en appuyant sur le bouton de commande situé sur le panneau de commande supérieur. Tout en maintenant enfoncé le bouton "press to set" (appuyer pour régler), tournez le bouton de commande jusqu'à ce que la température souhaitée s'affiche. Lorsque le bouton "press to set" du SIC-200D-C est maintenu enfoncé, un indicateur de point de consigne s'allume pour confirmer le point de consigne. Relâchez le bouton "press to set". La température de l'incubateur commence alors à augmenter jusqu'à la température définie. La température réelle à l'intérieur de l'appareil s'affiche à l'écran.



La température minimale pouvant être définie correspond à la température ambiante +5 °C (température ambiante -15 °C ou 5 °C minimum pour le SIC-200D-C) et la température maximale est de 60 °C.

### 5.4 Températures d'incubation inférieures à la température ambiante (SIC-200D-C uniquement)

Le refroidisseur connecté doit être allumé lorsque l'incubation doit avoir lieu à une température proche de la température ambiante ou inférieure à celle-ci. Pour les températures supérieures, le refroidisseur doit être éteint. La température du liquide de refroidissement doit être réglée sur la température d'incubation requise de -15 °C, conformément à ses propres recommandations. Par exemple, si une température d'incubation de 15 °C est nécessaire, le liquide de refroidissement doit être réglé sur 0 °C. Pour obtenir la spécification indiquée, le débit du liquide de refroidissement ne doit pas descendre en dessous de 9 l/min. La pression de fonctionnement recommandée est comprise entre 1 et 2 bar. La pression sûre maximale est de 4 bar.

Lors de l'utilisation du refroidisseur, vérifiez régulièrement le récipient de collecte de condensat et s'assurer que le tuyau d'évacuation du condensat n'est pas bloqué. Noter que le collecteur de condensation peut contenir des substances dangereuses utilisées dans l'incubateur. Le condensat doit être éliminé de la même manière que les substances utilisées dans l'incubateur, c'est-à-dire de manière sûre et conforme aux lois concernant l'environnement.

Après une utilisation prolongée à faible température, il est recommandé d'éteindre le refroidisseur et de faire fonctionner l'appareil à température maximale pendant la nuit pour s'assurer qu'il ne reste aucune humidité à l'intérieur de l'appareil. \*

\*Notez que pendant le processus de séchage, il n'est pas garanti que le SIC-200D-C réponde à toutes les exigences de sécurité de la norme 61010-1.

### 5.5 Connectivité USB

Il est possible de connecter votre incubateur à un ordinateur, grâce à un port USB, pour assurer le suivi à long terme de la température de l'incubateur, par exemple pendant la nuit. Retirez le capuchon du port USB de l'incubateur et connectez le câble fourni. Branchez l'autre extrémité du câble sur un port USB disponible de

votre ordinateur. La dernière version de notre logiciel peut être téléchargée sur le site [www.coleparmer.com](http://www.coleparmer.com). Une fois le téléchargement terminé, exécutez le programme et suivez les instructions affichées à l'écran.

## 6. Maintenance, entretien et réparations

**ATTENTION : s'assurer que l'appareil est débranché en retirant le cordon d'alimentation électrique avant de commencer les opérations de maintenance ou d'entretien.**

Cet appareil ne nécessite pas d'entretien de routine. La seule maintenance nécessaire est le nettoyage des surfaces internes et externes avec un tissu humide et un détergent doux. Les écoulements ou les éclaboussures doivent être nettoyés tout de suite après avoir débranché l'appareil. Laisser l'appareil sécher complètement avant de le remettre en marche.

**Lors de l'utilisation du SIC-200D-C avec un refroidisseur :**

- ❖ Vérifier régulièrement l'état des tuyaux.
- ❖ Si les tuyaux ou le liquide de refroidissement nécessitent un remplacement, patienter jusqu'à ce que le liquide de refroidissement soit à température ambiante avant de brancher/débrancher les tuyaux.
- ❖ Pour éviter tout déversement de liquide de refroidissement lors de la connexion ou de la déconnexion des tuyaux, commencer par déconnecter le tuyau supérieur (Outlet) pour permettre une vidange du liquide.
- ❖ En cas d'obstruction des tuyaux, ne pas tenter de les déboucher en aspirant l'air du tuyau ou en soufflant dedans. Remplacer le tuyau.

### 6.1 Réparations et assistance

Toute opération de réparation ou de remplacement de pièces DOIT être réalisée par un technicien qualifié.

**Seules des pièces détachées fournies ou spécifiées par Antylia Scientific ou l'un de ses représentants**

**doivent être utilisées.**

**L'installation de pièces non approuvées peut affecter l'efficacité des dispositifs de sécurité intégrés à l'appareil.**

Pour obtenir la liste complète des pièces nécessaires aux techniciens de maintenance réalisant des réparations internes ou pour obtenir un manuel d'entretien, contactez notre service d'assistance à l'adresse :

[cpsservice@antylia.com](mailto:cpsservice@antylia.com), par téléphone au numéro +44 (0)1785 810475 Vous devez indiquer la référence du modèle et son numéro de série.

Pour toute autre question technique, contactez le service d'assistance technique à l'adresse [cptechsupport@antylia.com](mailto:cptechsupport@antylia.com) ou par téléphone au numéro +44 (0)1785 810433.

## 7. Accessoires

Code	Description
SI500/1	Porte-éprouvettes pour 64 éprouvettes de 1,5 ml
SI500/2	Porte-éprouvettes pour 25 éprouvettes de 15 ml
SI500/3	Porte-éprouvettes pour 12 éprouvettes de 50 ml
SI500/4	Porte-éprouvettes pour 16 récipients universels de 30 ml
RSSL1	Barre de fixation de rechange pour SI-200D
SI600/1	Barre de fixation de rechange pour SIC-200D-L
SI600C-232	Rondelle
SI600C-233	Connecteur à angle droit
SI600C-240	Tuyau de condensat
SI600C-241	Tuyau de liquide de refroidissement
SBS4074	Collier de serrage
700198	Collier de serrage

## 8. Caractéristiques

	SI-200D	SIC-200D-L	SIC-200D-C*
<b>Caractéristiques techniques:</b>			
Température	De la température ambiante +5 °C à 60°C	De la température ambiante +5 °C à 60 °C	+5°C à 60 °C
Résolution d'affichage de la température	0,1 °C	0,1 °C	0,1 °C
Précision de température <sup>1</sup>	+/-0,5 °C	+/-0,5 °C	+/-0,5 °C
Fluctuation de température <sup>1</sup>	±0.5 °C (à 37 °C)	±0.5 °C (à 37 °C)	±0.5°C (à 37 °C)
Variation de la température <sup>2</sup>	±0,5 °C	±0,5 °C	±0,5 °C
Plage de vitesse	De 30 à 300 tr/min	De 30 à 300 tr/min	De 30 à 300 tr/min
Diamètre d'orbite	16 mm	16 mm	16 mm
Temps de préchauffage 20-60°C <sup>3</sup>	<30 min	<30 min	<30 min
Temps de refroidissement 20-5°C <sup>3</sup>	-	-	<60 min
Charge maximale	10 kg	10 kg	10 kg
Pression de liquide de refroidissement sûre max.	-	-	4 bar
Poids net	30 kg	53 kg	60 kg
Puissance électrique de chauffage	250 W	400 W	400 W
Alimentation	230 V, 50 Hz, 300 W	230 V, 50 Hz, 500 W	230 V, 50 Hz, 500 W

### Dimensions générales

Hauteur	522 mm	640 mm	640 mm
Profondeur	474 mm	542 mm	542 mm
Largeur	450 mm	675 mm	675 mm

### Dimensions internes de l'incubateur

Hauteur	297 mm	395 mm	380 mm
Profondeur	408 mm	455 mm	465 mm
Largeur	422 mm	625 mm	625 mm
Hauteur maximale des récipients	250 mm	320 mm	320 mm
Dimensions de la plate-forme:	335 x 335 mm	525 x 390 mm	525 x 390 mm

### Capacité d'incubateur

2800ml flacons Fernbach	0	2	2
2000ml flacons coniques	0	6	6
1000ml flacons coniques	4	9	9
500ml flacons coniques	9	15	15
Accessoires magnétiques	4	6	6

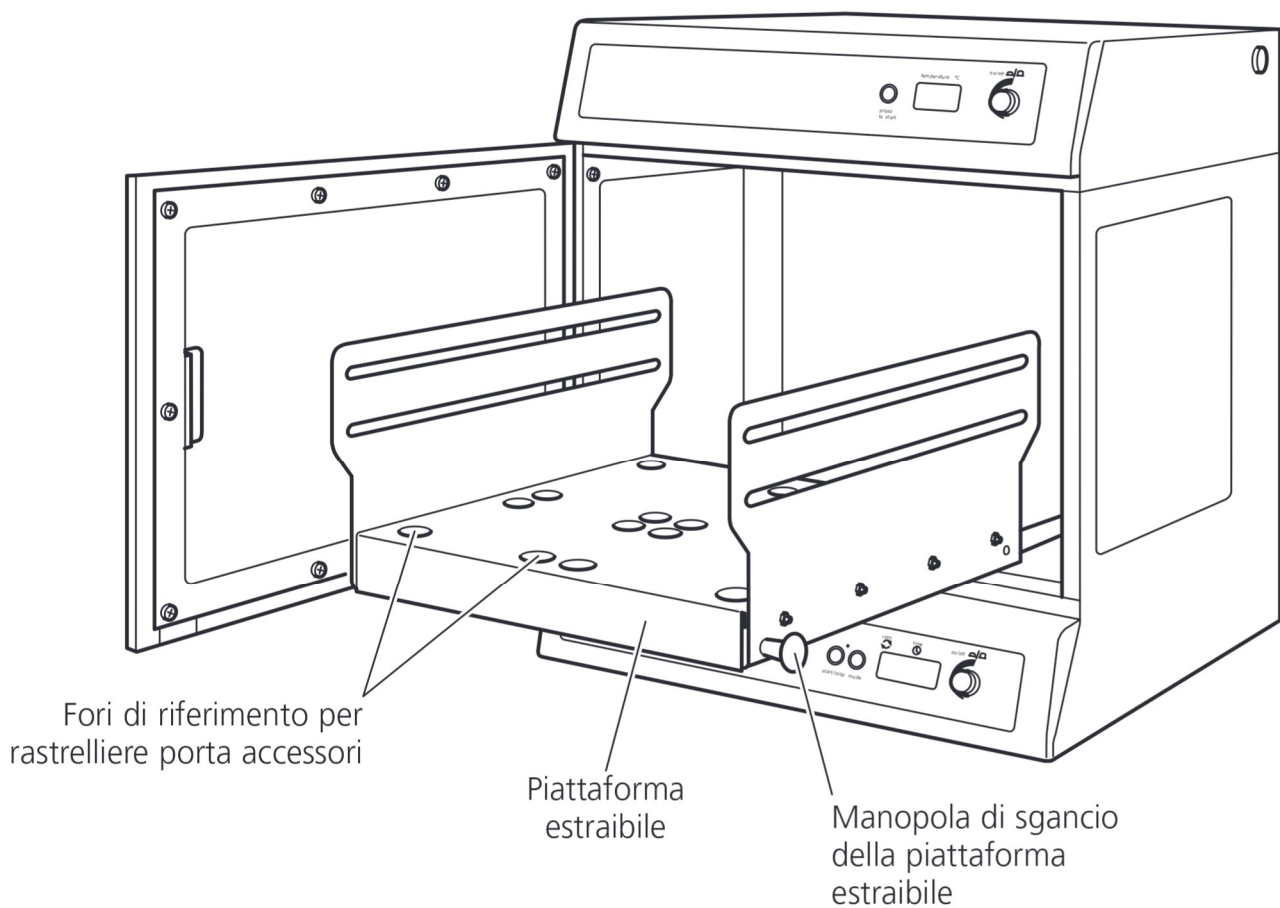
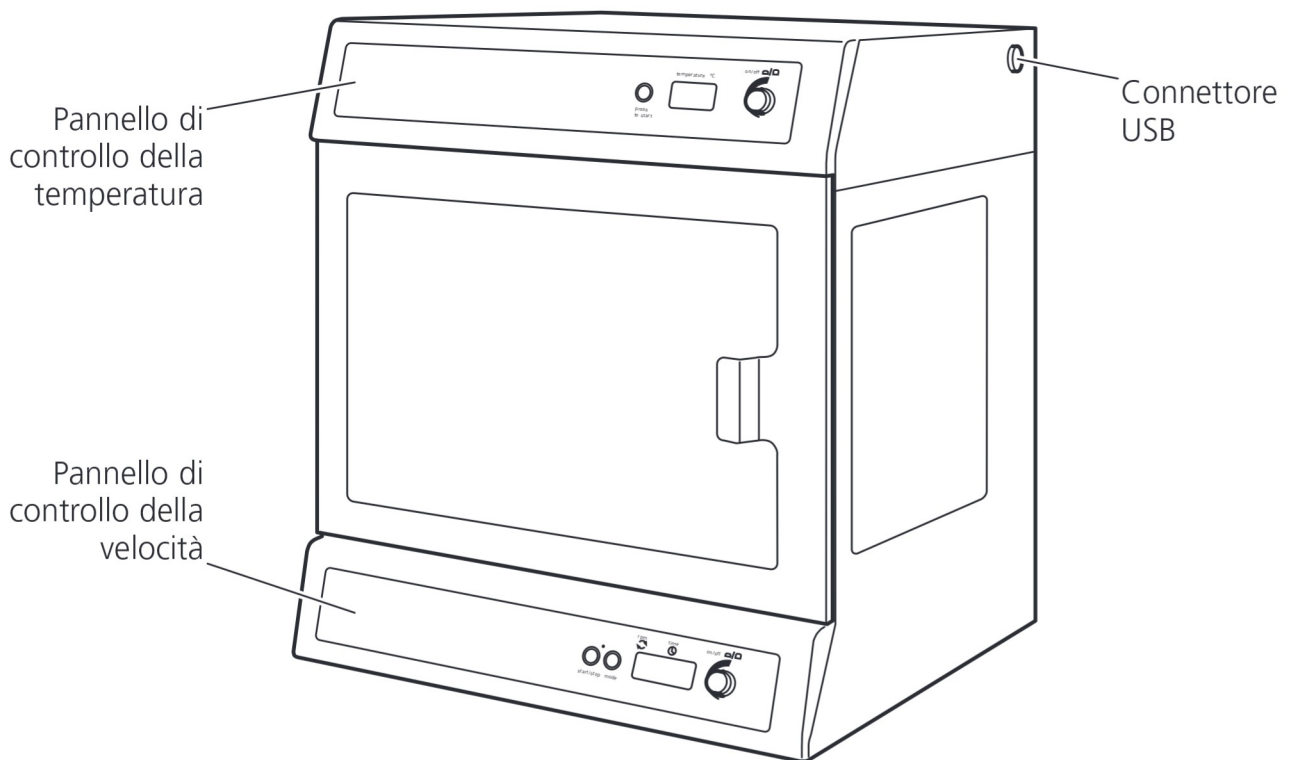
\*Spécifications lorsque le refroidissement est obtenu à l'aide d'un refroidisseur à circulation Cole-Parmer SRC4.

Les spécifications de refroidissement peuvent être influencées par la capacité du refroidisseur utilisé.

<sup>1</sup>À 37 °C, température ambiante de 20 °C +/-2 °C, aucune charge, mesuré au centre de l'appareil.

<sup>2</sup>À 37 °C, température ambiante de 20 °C +/-2 °C, aucune charge, mesuré à travers la zone de l'agitateur au centre de l'appareil.

<sup>3</sup>Température ambiante de 20 °C +/-2 °C.



# INCUBATRICI AGITATORE

## SI-200D, SIC-200D-L e SIC-200D-C

### Istruzioni per l'uso

## 1. Introduzione

Grazie per aver acquistato questo apparecchio Cole-Parmer. Per assicurare sempre prestazioni ottimali, leggere attentamente le istruzioni di questa apparecchiatura prima dell'uso. Prima di eliminare la confezione controllare che tutti i componenti siano presenti e integri.

Numero articolo	Descrizione
HH179(S)	Cavo di alimentazione britannico con spina
HH180(S)	Cavo di alimentazione europeo con spina
SI600-89	Manuale di istruzioni
I/FCALUSB	Cavo USB
RSSL1 o SI600/1	Barre di fissaggio (4)
7001096	Carta di garanzia
SI600-214	Supporti (2) e viti (4) per SIC-200D-L e SIC-200D-C

### Solo SIC-200D-C:

SI600C-232	Rondella (2)
SI600C-233	90° connectors (2)
SI600C-240	Tubo di condensa
SI600C-241	Tubo refrigerante (2)
SBS4074	Fascette stringitubo (1)
700198	Fascette stringitubo (4)

**Per garantire la sicurezza propria e degli altri, prima di usare l'apparecchio leggere e memorizzare le indicazioni di sicurezza fornite di seguito.**

## 2. Indicazioni di sicurezza da leggere prima dell'uso



L'uso per scopi diversi da quelli indicati sul manuale e l'impiego di accessori differenti da quelli raccomandati da Antylia Scientific possono compromettere la protezione fornita dall'apparecchio.

### Condizioni di esercizio previste:

- ❖ Solo per uso in ambienti chiusi
- ❖ Usare in ambienti ben ventilati
- ❖ Campo di temperatura ambiente da +5°C a +40°C
- ❖ Altitudine fino a 2000 m
- ❖ Umidità relativa non superiore all'80%
- ❖ Oscillazione dell'alimentazione elettrica non superiore al 10%
- ❖ Categoria di sovratensione II IEC60364-4-443
- ❖ Grado di inquinamento 2

### Avvertenze e condizioni di funzionamento:



**ATTENZIONE: OGGETTO PESANTE. Non cercare di sollevare o trasportare l'unità senza aiuto.**

- ❖ Utilizzare l'unità a una distanza minima di 200 mm (100 mm sul retro) dalle pareti e da altri oggetti.
- ❖ Non utilizzare per il riscaldamento o il mescolamento di materiali che potrebbero causare il rilascio di gas oppure provocare esplosioni o implosioni.
- ❖ Non usare o collocare in aree pericolose. Non spostare o trasportare l'unità se in funzione o collegata alla rete elettrica.
- ❖ Per sollevare o spostare l'unità, sollevarla sempre dalla base.
- ❖ Non usare in atmosfere pericolose o con sostanze pericolose.
- ❖ Controllare che il carico sia bilanciato.
- ❖ Non fermare il movimento manualmente.
- ❖ Non appoggiarsi allo sportello aperto dell'unità SIC-200D-L o SIC-200D-C perché ciò potrebbe farla inclinare, in particolare quando la piattaforma si trova in posizione estratta. Inoltre, non lasciare l'incubatrice incustodita quando lo sportello è aperto.
- ❖ Prima di utilizzare l'unità SIC-200D-L e SIC-200D-C è necessario procedere all'installazione dei supporti (vedasi la sezione 4.4).
- ❖ In caso di interruzione della rete elettrica, al ripristino dell'alimentazione l'unità non riprende a funzionare. In caso di interruzione dovuta a causa meccanica (ad esempio stallo del motore), una volta eliminata la ragione del blocco l'unità riprende a funzionare.
- ❖ L'energia meccanica può rompere i recipienti di vetro. Usare cautela.



**NEL RIMUOVERE I RECIPIENTI DALL'INCUBATORE, PRESTARE ATTENZIONE PER L'EVENTUALE PRESENZA DI PARTI CALDE.**



## 3. Descrizione generale

Le incubatrici orbitali Cole-Parmer SI-200D, SIC-200D-L e SIC-200D-C sono ideali per miscelare e aerare diversi campioni biologici in accurate condizioni di temperatura controllata. La piattaforma girevole ha un sistema di regolazione digitale della velocità che assicura un moto circolare omogeneo e uniforme con un'orbita di 16 mm. La velocità è compresa fra 30 e 300 giri/min. L'apparecchio è anche provvisto di un timer digitale regolabile che si ferma una volta trascorso l'intervallo di tempo definito (intervalli da 1 secondo fino a 1 ora, intervalli da 1 minuto fino a 24 ore e intervalli da 1 ora fino a 9 giorni). La piattaforma agitatrice ha un meccanismo di estrazione a cassetto per accedere comodamente ai recipienti di incubazione. La temperatura è controllata con un semplice sistema di regolazione a pulsante con intervalli da 0,1°C in un range di temperature ambiente compreso tra +5°C e 60°C.

Il modello SIC-200D-C ha anche l'opzione di collegamento a un'unità di raffreddamento a ricircolo, che ne consente l'utilizzo ove siano richieste temperature inferiori a quella ambientale (ambiente -15°C, minimo 5°C).

Le incubatrici hanno un sistema di supporto regolabile in grado di accogliere diversi tipi di beute e flaconi. Gli accessori opzionali comprendono rastrelliere in grado di alloggiare provette da 1,5 ml, 15 ml e 50 ml.

## 4. Preparazione per l'uso

### 4.1 Impianto elettrico



COLLEGARE LO STRUMENTO A TERRA

Prima di collegare lo strumento leggere attentamente le istruzioni e controllare che l'alimentazione di rete corrisponda a quella indicata sulla targhetta. Lo strumento funziona con un'alimentazione di 230 V, 50 Hz. La potenza assorbita dall'unità è di 300W per il modello SI-200D e di 500W per i modelli SIC-200D-L e SIC-200D-C. Assicurarsi di utilizzare un cavo di alimentazione con caratteristiche elettriche adeguate al prodotto utilizzato. Sul retro dell'apparecchio è presente una presa IEC per il collegamento del cavo di alimentazione.

Quando si desidera isolare il bagno dalla rete di alimentazione, scollegare il cavo dalla presa IEC. **Attenzione: sono presenti fusibili sia sulla linea di fase che sul neutro.**

### Fusibili:

Fusibili da 230 V - 3,15 A contro le sovracorrenti. Per tutte le altre tensioni sostituire sempre con un fusibile di tipo e amperaggio equivalente a quello tolto, oppure consultare la targhetta dei dati nominali.

L'unità ha due cavi di alimentazione dotati di connettori IEC per l'attacco allo strumento. Un cavo ha un connettore tripolare tipo UK, l'altro un connettore bipolare tipo Schuko. Usare il cavo adatto all'impianto elettrico in uso. Se nessuno dei due connettori è adatto sostituire il connettore tipo UK con quello di tipo idoneo. A questo scopo tagliare il connettore, preparare il cavo e collegarlo al connettore corretto seguendo le istruzioni.

### AFFIDARE QUESTA OPERAZIONE SOLO A UN ELETTRICISTA QUALIFICATO

NOTA: per controllare che il connettore e i fusibili siano adatti alla tensione e alla potenza indicate consultare la targhetta dei dati nominali dell'apparecchio. Colori dei conduttori nel cavo di alimentazione:

FASE - MARRONE  
NEUTRO - BLU  
TERRA - VERDE/GIALLO

Collegare il cavo di alimentazione PRIMA allo strumento, quindi alla presa di alimentazione. Se necessario, sostituire il cavo di alimentazione con un cavo da 1 mm<sup>2</sup> codice armonizzato H05VV-F collegato a un connettore IEC320. N.B. il cavo di rete tipo UK è protetto da un fusibile da 10 A montato sulla sommità del connettore.

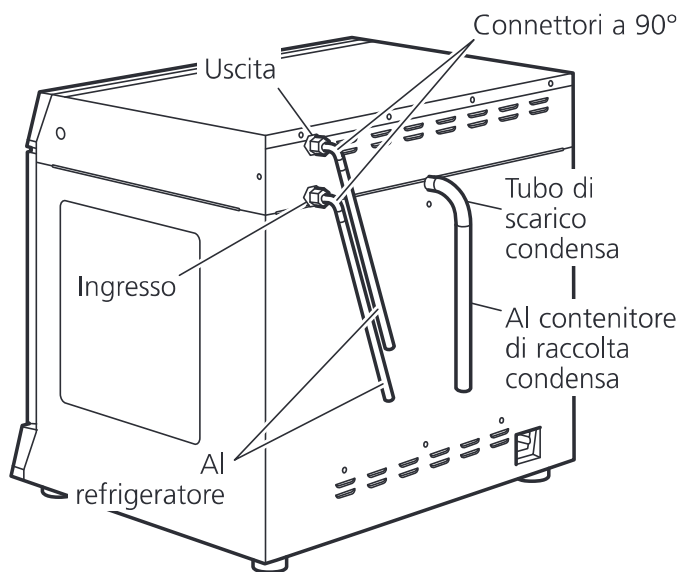
### IN CASO DI DUBBIO CONTATTARE UN ELETTRICISTA QUALIFICATO

### 4.2 Posizionamento

Posizionare l'unità su di una superficie solida, piana e non scivolosa, assicurandosi che vi sia spazio libero sufficiente su tutti i lati e che durante il funzionamento l'apparecchio non entri in contatto con alcun oggetto. Lasciare uno spazio libero di almeno 100 mm sul retro dell'unità, per permettere un facile accesso al cavo di alimentazione di rete, e di almeno 200 mm sui restanti lati.

### 4.3 Connessione del SIC-200D-C al refrigeratore a ricircolo

Per incubare a temperature inferiori a quella ambientale, il modello SIC-200D-C deve essere collegato a un'unità di raffreddamento a ricircolo. Assicurarsi che l'unità di raffreddamento poggi su una superficie solida e non vibri durante il funzionamento dell'incubatrice al massimo numero di giri. Collegare il tubo di condensa al tubo di scarico della condensa e l'altra estremità a un contenitore di raccolta situato più in basso rispetto al tubo di scarico condensa. Assicurarsi che il contenitore di raccolta sia in grado di contenere un volume di liquido come minimo pari al volume del liquido refrigerante.



Attaccare i due connettori a 90° ai due connettori situati nella parte posteriore dell'unità e contrassegnati INLET (INGRESSO) e OUTLET (USCITA). Collegare il tubo in EPDM con diametro interno (ID) di 8 mm e lungo 1,5 m ai connettori e fissare saldamente con le fascette stringitubo. Collegare le altre estremità dei connettori alle porte dell'unità di raffreddamento assicurandosi che il tubo non presenti strozzature; non serrare eccessivamente.

Per garantire una prestazione ottimale, il tubo di collegamento deve essere il più corto possibile. Attenersi alle specifiche del refrigeratore per determinare la lunghezza accettabile dei tubi e l'altezza massima. Collocare il refrigeratore in una posizione sicura, onde evitare urti accidentali.

#### Liquido refrigerante

Per temperature inferiori a 10°C, o come raccomandato nel manuale del refrigeratore, è necessario utilizzare un liquido refrigerante. Si

consiglia una miscela 1:1 di glicole etilenico da laboratorio e acqua. NON utilizzare acqua deionizzata.

#### ATTENZIONE:



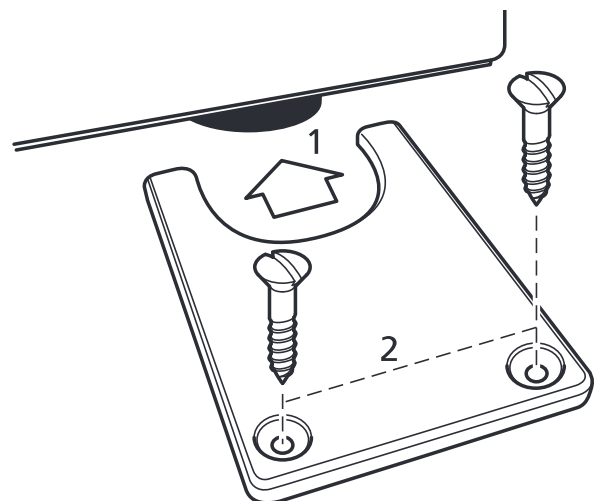
- ❖ Non utilizzare liquidi refrigeranti infiammabili.
- ❖ Consultare il manuale del refrigeratore per assicurarsi di utilizzare un fluido compatibile.
- ❖ Il fluido deve essere compatibile con le parti dell'incubatrice con cui entra in contatto: ottone, rame, gomma EPDM e nichel.

Quando si utilizza il liquido refrigerante a meno di 0°C, c'è il rischio che si formi condensa sul tubo. Il rischio può essere ridotto isolando il tubo. Assicurarsi che esso non abbia strozzature o restringimenti di alcun tipo e che mantenga costantemente la posizione corretta (se necessario utilizzare delle fascette). Controllare se vi sono perdite avviando la pompa del refrigeratore prima di posizionare definitivamente l'unità SIC-200D-C sul banco di lavoro.

### 4.4 Installazione dei supporti per i piedini (SIC-200D-L e SIC-200D-C)

Per evitare vibrazioni o spostamenti durante l'uso, le unità SIC-200D-L e SIC-200D-C devono essere fissate al banco di lavoro mediante supporti. Sono forniti due supporti per il fissaggio dei piedini posteriori.

Assicurarsi che l'unità sia stata posizionata correttamente. Posizionandosi ai lati dell'unità, collocare i supporti intorno ai piedini posteriori (1). Fissare i supporti mediante due viti N°8 x 20 mm (2).



Connettere l'unità alla rete elettrica - NON ACCENDERE.

## 4.5 Caricamento

**Attenzione: prima di aprire lo sportello, assicurarsi che non ci sia nulla nel suo raggio d'azione.**

Aprire lo sportello. Tirare le due manopole con ritorno a molla poste ai due lati della piattaforma estraibile verso le pareti dell'incubatrice, quindi estrarre la piattaforma dall'incubatrice tirando verso di sé.

Collocare i recipienti sulla piattaforma, regolando opportunamente la posizione delle barre di fissaggio gommate. Assicurarsi che il carico sia ben bilanciato e non superi il valore massimo indicato.

Inserire nuovamente la piattaforma nell'incubatrice spingendola delicatamente fino alla posizione di arresto. Chiudere lo sportello.

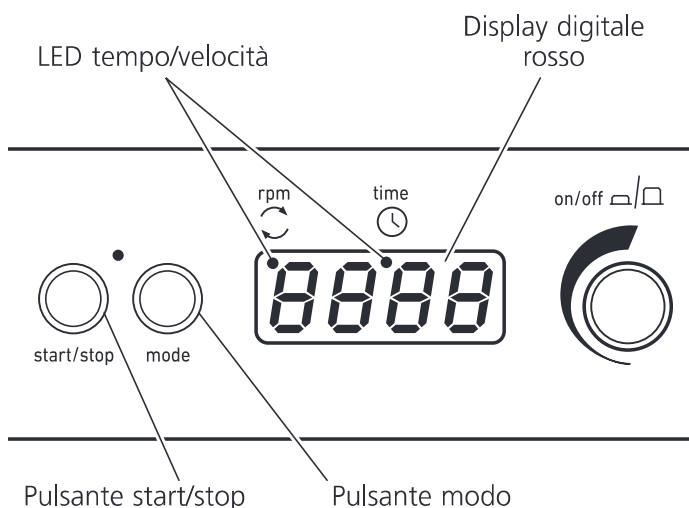
**N.B: prima di azionare l'unità controllare che la piattaforma estraibile sia bloccata in sede; in caso contrario l'apparecchio potrebbe danneggiarsi.**

## 5. Funzionamento

### 5.1 Regolazione della velocità

Con la tastiera alla base dello strumento accendere l'unità premendo la manopola di comando. Premere il pulsante modo fino a quando sul display, sotto "rpm" (giri/min), compare un punto rosso. Il display mostra l'ultima velocità impostata. Regolare la velocità ruotando la manopola di comando. La velocità minima è di 30 giri/min, la massima di 300 giri/min.

Quando sul display compare la velocità desiderata premere il pulsante start/stop per avviare il



movimento. La velocità si può regolare senza fermare l'unità. L'apparecchio si può fermare in qualsiasi momento premendo il pulsante start/stop. Se durante il movimento si apre lo sportello lo strumento emette un segnale acustico e si ferma; sul display compare temporaneamente la scritta "door" (sportello). Chiudere lo sportello per continuare.

### 5.2 Regolazione del timer

Per usare il timer fermare la rotazione e premere il pulsante modo fino a quando sul display compare un punto rosso in corrispondenza di "time" (tempo). Sul display compaiono tre linee orizzontali oppure l'ultima durata memorizzata. Selezionare la durata desiderata per il conto alla rovescia con la manopola di comando. Il tempo viene visualizzato dapprima in minuti e secondi, quindi in ore e minuti e infine in giorni e ore, fino a un massimo di 9 giorni.

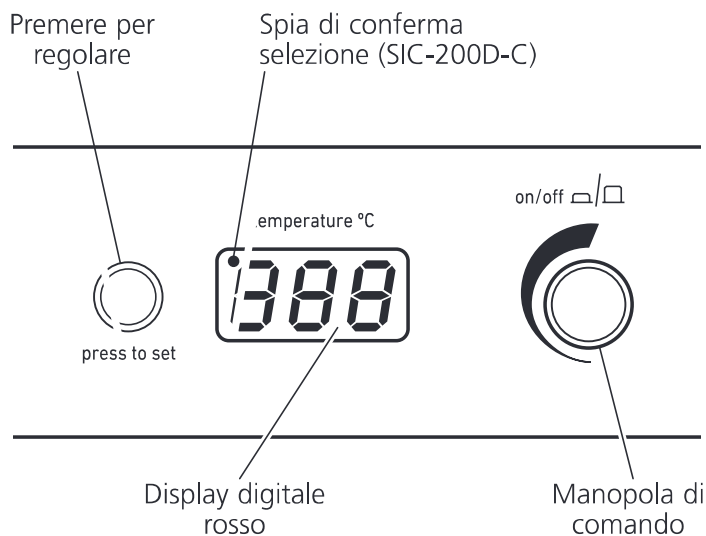
Quando sul display compare il tempo desiderato premere il pulsante start/stop per avviare l'apparecchio. Il movimento dell'apparecchio si può fermare in qualsiasi momento premendo il pulsante start/stop. Premendo ancora il pulsante il movimento riprende e il timer prosegue il conto alla rovescia. Il timer si può regolare senza fermare l'unità. Quando il timer arriva a zero l'unità si ferma automaticamente ed emette un segnale acustico. Se durante il conto alla rovescia si apre lo sportello lo strumento emette un segnale acustico e il timer si ferma; sul display compare temporaneamente la scritta "door" (sportello). Per continuare chiudere lo sportello; il conto alla rovescia riprende dal punto in cui si era interrotto.

**N.B. per disattivare il timer e tornare alla rotazione continua selezionare - - - sul display dopo aver attivato il modo timer.**

### 5.3 Regolazione della temperatura

Utilizzando il pannello di controllo superiore attivare l'unità di controllo della temperatura premendo la manopola di comando. Tenendo premuto il pulsante "premere per regolare", ruotare la manopola fino a visualizzare la temperatura desiderata. Tenendo premuto il pulsante "premere per regolare" del modello SIC-200D-C, si illuminerà una spia luminosa per confermare la selezione effettuata. Rilasciare il pulsante "premere per regolare". A questo punto, l'incubatrice inizia a riscaldarsi alla

temperatura impostata. La temperatura effettiva all'interno dell'unità viene visualizzata sul display. La temperatura minima che è possibile selezionare è ambiente +5°C (ambiente -15°C o 5°C minimo per il modello SIC-200D-C), mentre la massima è di 60°C.



#### 5.4 Incubazione a temperature inferiori alla temperatura ambiente (solo SIC-200D-C)

Quando è necessario incubare a una temperatura uguale o inferiore a quella ambientale l'unità di raffreddamento va accesa. Se sono richieste temperature superiori a queste, l'unità di raffreddamento va tenuta spenta. La temperatura del liquido refrigerante deve essere impostata alla temperatura richiesta per l'incubatrice -15°C e non deve mai superare i limiti raccomandati per lo specifico liquido. Se, ad esempio, la temperatura richiesta per un'incubatrice è di 15°C, il liquido refrigerante deve essere impostato a 0°C. Per soddisfare le specifiche citate, la portata minima del liquido refrigerante deve essere di 9 l/min. La pressione di esercizio raccomandata è da 1,0 a 2,0 bar. La massima pressione sicura è di 4,0 bar.

Durante l'utilizzo del refrigeratore, controllare a intervalli regolari il contenitore di raccolta della condensa e assicurarsi che il tubo di scarico della condensa non sia intasato o bloccato. Le sostanze pericolose utilizzate all'interno dell'incubatrice possono restare intrappolate nel dispositivo che cattura la condensa. Smaltire la condensa con le stesse procedure messe in atto per le sostanze utilizzate all'interno dell'incubatrice, ovvero seguendo procedure sicure conformi alla legislazione ambientale.

Dopo un prolungato utilizzo a basse temperature, si raccomanda di spegnere il refrigeratore e di far

funzionare l'unità alla massima temperatura per una notte, così da asciugare tutta l'umidità al suo interno. \*

\*Nota: durante il processo di asciugatura, non si deve presumere che il modello SIC-200D-C rispetti tutti i requisiti di sicurezza previsti dalla norma 61010-1.

#### 5.5 Connettività USB

L'incubatrice si può collegare a un PC via USB per tracciare nel tempo la temperatura dell'incubatrice, ad esempio durante la notte. Togliere il cappuccio ermetico dalla porta USB dell'incubatrice e collegare il cavo accluso, collegare l'altra estremità a una porta USB libera sul PC. Per scaricare la versione più aggiornata del software accedere al sito [www.coleparmer.com](http://www.coleparmer.com); dopo aver scaricato il programma, lanciarlo e seguire le istruzioni a video.

## 6. Manutenzione, assistenza e riparazione

**ATTENZIONE: prima di intraprendere qualsiasi operazione di manutenzione o riparazione, rimuovere il cavo di alimentazione per assicurarsi che l'unità sia scollegata dalla rete elettrica.**

Questa apparecchiatura non necessita di manutenzione periodica. L'unico intervento di manutenzione necessario consiste nella pulizia delle superfici interne ed esterne mediante un panno umido e un detergente delicato. Rimuovere immediatamente i travasi o gli schizzi eventuali, ma solo dopo aver isolato l'unità dalla rete elettrica. Prima di azionare nuovamente l'unità, attendere che sia completamente asciutta.

#### In caso di utilizzo del modello SIC-200D-C con l'unità di raffreddamento:

- ❖ Controllare regolarmente le condizioni dei tubi.
- ❖ Se un tubo o il liquido refrigerante devono essere sostituiti, non collegare o scollegare il tubo fino a quando il liquido refrigerante non ha raggiunto la temperatura ambiente.
- ❖ Durante il collegamento o lo scollegamento dei tubi, evitare le fuoriuscite di liquido refrigerante scollegando innanzitutto il tubo superiore (uscita) e facendo defluire completamente il liquido.
- ❖ Se uno dei tubi è bloccato, non tentare di sbloccarlo aspirando o soffiando nel tubo, ma sostituirlo.



## 6.1 Riparazioni e assistenza

Affidare riparazioni o sostituzioni SOLO a personale qualificato.

**Usare solo ricambi forniti o autorizzati da Antylia Scientific o dai suoi distributori. L'impiego di componenti non autorizzati può compromettere le prestazioni o le caratteristiche di sicurezza dello strumento.**

Per un elenco completo dei componenti necessari alle riparazioni interne o per richiedere il manuale di assistenza contattare il Servizio Assistenza [cpsservice@antylia.com](mailto:cpsservice@antylia.com), tel: +44 (0)1785 810475, indicando modello e numero di serie.

Per altre richieste di carattere tecnico contattare il Servizio di assistenza tecnica, [cptechsupport@antylia.com](mailto:cptechsupport@antylia.com), tel: +44 (0)1785 810433.

## 7. Accessori

Codice	Descrizione
SI500/1	Supporto per 64 provette da 1,5 ml
SI500/2	Supporto per 25 provette da 15 ml
SI500/3	Supporto per 12 provette da 50 ml
SI500/4	Supporto per 16 provette universali da 30 ml
RSSL1	Barra di fissaggio di ricambio per SI-200D
SI600C-232	Rondella
SI600C-233	90° connector
SI600C-240	Tubo di condensa
SI600C-241	Tubo refrigerante
SBS4074	Fascetta stringitubo
700198	Fascetta stringitubo



## 8. Dati tecnici

	SI-200D	SIC-200D-L	SIC-200D-C*
<b>Dati tecnici</b>			
Campo di temperatura	Da ambiente +5°C a 60°C	Da ambiente +5°C a 60°C	Da 5°C a 60°C
Risoluzione di visualizzazione temperatura	0,1°C	0,1°C	0,1°C
Accuratezza della temperatura <sup>1</sup>	±0,5°C	±0,5°C	±0,5°C
Fluttuazione termica <sup>1</sup>	±0,5°C (a 37°C)	±0,5°C (a 37°C)	±0,5°C (a 37°C)
Variazione termica <sup>2</sup>	±0,5°C	±0,5°C	±0,5°C
Campo di velocità	Da 30 a 300 giri/min	Da 30 a 300 giri/min	Da 30 a 300 giri/min
Diametro dell'orbita	16mm	16mm	16mm
Tempo di riscaldamento 20-60°C <sup>3</sup>	<30 min	<30 min	<30 min
Tempo di raffreddamento 20-5°C <sup>3</sup>	-	-	<60min
Carico massimo	10kg	10kg	10kg
Massima pressione sicura liquido refrigerante	-	-	4.0bar
Peso netto	30kg	53kg	60kg
Potenza nominale di riscaldamento	250W	400W	400W
Alimentazione elettrica	230V, 50Hz, 300W	230V, 50Hz, 300W	230V, 50Hz, 500W

### Dimensioni esterne

Altezza	522mm	640mm	640mm
Profondità	474mm	542mm	542mm
Larghezza	450mm	675mm	675mm

### Dimensioni interne incubatrice

Altezza	297mm	395mm	380mm
Profondità	408mm	455mm	465mm
Larghezza	422mm	625mm	625mm
Altezza massima recipiente	250mm	320mm	320mm
Dimensioni della piattaforma	335 x 335mm	525 x 390mm	525 x 390mm

### Capienza dell'incubatrice

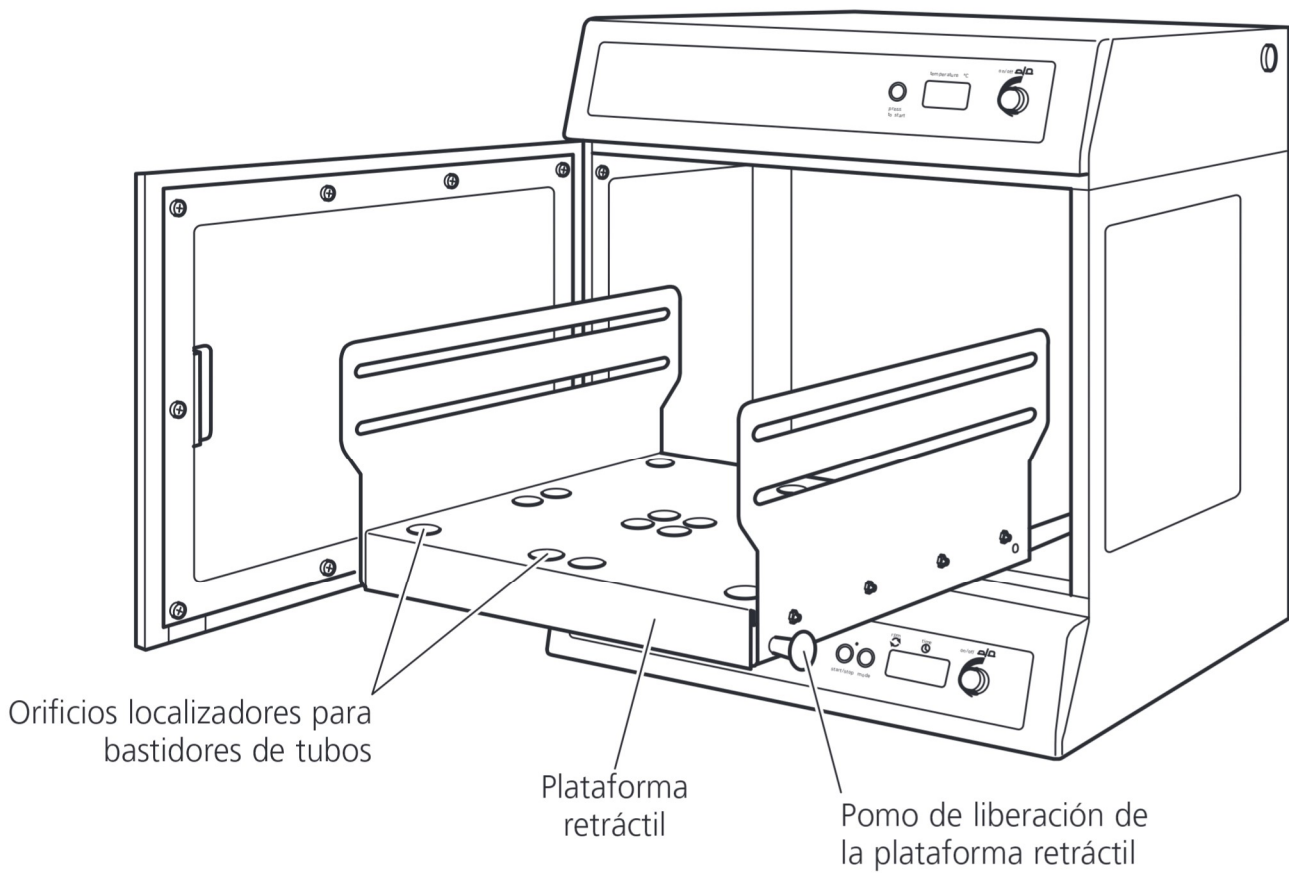
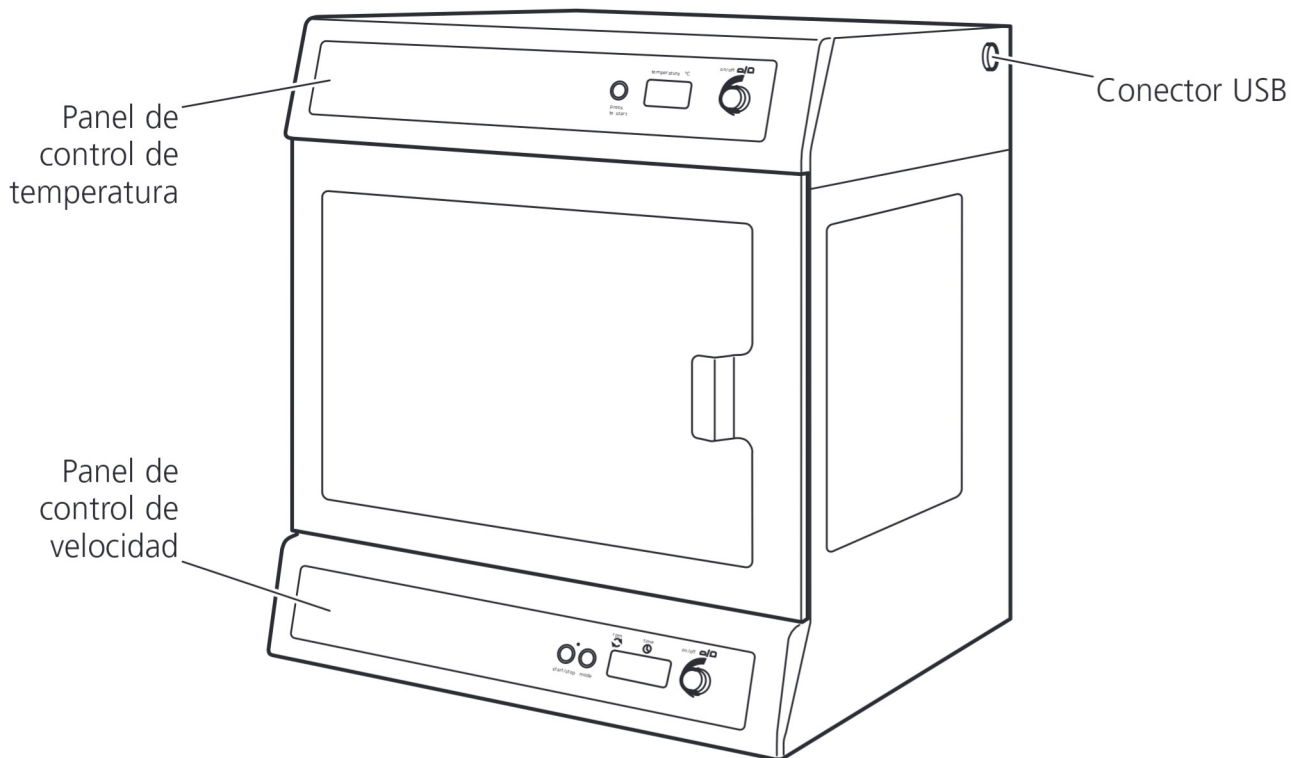
2800ml boccette Fernbach	0	2	2
2000ml boccette coniche	0	6	6
1000ml boccette coniche	4	9	9
500ml boccette coniche	9	15	15
Accessori magnetici	4	6	6

\*Specifiche ottenute utilizzando l'unità di raffreddamento a ricircolo Cole-Parmer SRC4. Le specifiche di raffreddamento possono essere influenzate dalla capacità dell'unità di raffreddamento utilizzata.

<sup>1</sup>A 37°C, ambiente 20°C +/- 2°C, senza carico, misurata nel centro dell'unità.

<sup>2</sup>A 37°C, ambiente 20°C +/- 2°C, senza carico, misurata nell'area dell'agitatore, nel centro dell'unità.

<sup>3</sup>Ambiente 20°C +/- 2°C.



# INCUBADORAS AGITADORAS SI-200D, SIC-200D-L y SIC-200D-C

## Instrucciones de uso

### 1. Introducción

Gracias por adquirir este equipo de Cole-Parmer. Para conseguir el mejor rendimiento de este equipo, lea atentamente estas instrucciones antes de ponerlo en marcha. Antes de desechar el embalaje, compruebe que todas las piezas estén presentes y en buen estado.

Referencia	Descripción
HH179(S)	Cable de alimentación con enchufe británico
HH180(S)	Cable de alimentación con enchufe europeo
SI600-89	Manual de instrucciones
I/FCALUSB	Cable USB
RSSL1 o SI600/1	Barras de protección (4)
7001096	Tarjeta de garantía
SI600-214	Abrazaderas para patas (2) y tornillos (4) para SIC-200D-L y SIC-200D-C

#### Solamente para SIC-200D-C:

SI600C-232	Arandela (2)
SI600C-233	Conectores de 90° (2)
SI600C-240	Tubo de condensado
SI600C-241	Tubo para refrigerante (2)
SBS4074	Abrazadera (1)
700198	Abrazaderas (4)

**Para su propia seguridad y la de los demás, lea detenidamente el aviso de seguridad que aparece a continuación antes de utilizar el equipo.**

### 2. Aviso de seguridad antes del uso



Si el equipo no se utiliza tal como se describe en este manual y se emplean accesorios distintos a los recomendados por Antylia Scientific, la protección ofrecida puede verse afectada.

*Este equipo se ha diseñado para funcionar en las condiciones ambientales siguientes:*

- ❖ Sólo para uso en interior
- ❖ Debe utilizarse en un área bien ventilada
- ❖ Rango de temperatura ambiente: de +5 °C a + 40 °C
- ❖ Altitud hasta 2.000 m
- ❖ Humedad relativa no superior al 80%
- ❖ Fluctuación de la alimentación eléctrica no superior al 10%
- ❖ Categoría de sobretensión II según la norma IEC60364-4-443
- ❖ Grado de contaminación 2

*Advertencias y condiciones de uso:*



**PRECAUCIÓN: OBJETO PESADO. NO INTENTE LEVANTAR O TRANSPORTAR LA UNIDAD SIN AYUDA.**

- ❖ Debe utilizarse a una distancia mínima de 200 mm (100 mm en la parte trasera) de paredes u otros objetos cercanos.
- ❖ No debe utilizarse para calentar o mezclar materiales que puedan dar lugar a la liberación de gases o provocar explosiones o implosiones.
- ❖ No debe colocarse ni utilizarse en áreas que se consideren peligrosas. No mueva ni transporte nunca la unidad cuando esté en funcionamiento o esté conectada a la alimentación de red eléctrica.
- ❖ Al levantar o mover la unidad, levántela siempre desde la base.
- ❖ No debe utilizarse en atmósferas peligrosas ni junto con materiales peligrosos.
- ❖ Asegúrese de que la carga esté equilibrada.
- ❖ No intente detener el movimiento de la unidad de forma manual.
- ❖ No se apoye en la puerta abierta de la SIC-200D-L o SIC-200D-C, ya que eso podría hacer volcar la unidad, especialmente cuando la plataforma esté extraída. Tampoco deje la incubadora desatendida con la puerta abierta.
- ❖ Antes de utilizar la SIC-200D-L y SIC-200D-C es necesario colocarle unas abrazaderas para patas (consulte 4.4).
- ❖ En caso de que se interrumpa la alimentación eléctrica, la unidad no volverá a arrancar tras restaurarse el suministro eléctrico. En caso de una interrupción mecánica (por ejemplo, el calado del motor), la unidad continuará funcionando una vez que finalice dicha interrupción.
- ❖ La energía mecánica puede provocar la rotura de los recipientes de cristal. Debe utilizarse con precaución.



**TENGA CUIDADO AL RETIRAR RECIPIENTES DE LA INCUBADORA, YA QUE PUEDE HABER PARTES MUY CALIENTES**

## 3. Descripción general

Las incubadoras orbitales SI-200D, SIC-200D-L y SIC-200D-C de Cole-Parmer son ideales para mezclar y airear diversas muestras biológicas en condiciones de temperatura precisas y controladas. La plataforma giratoria tiene un ajuste de velocidad digital que proporciona un movimiento circular suave y uniforme con una órbita de 16 mm. El rango de velocidad oscila entre 30 y 300 rpm. También dispone de un temporizador de cuenta atrás digital ajustable que se detiene automáticamente una vez que haya transcurrido el tiempo establecido (pasos de 1 segundo hasta 1 hora, pasos de 1 minuto hasta 24 horas o pasos de 1 hora hasta 9 días). La plataforma de agitación dispone de un mecanismo con cajones que permite acceder fácilmente a los recipientes de incubación. La temperatura se controla mediante un sencillo sistema de "pulsar para establecer" con intervalos de 0,1 °C para una temperatura ambiente de +5 °C hasta 60 °C.

Las incubadoras están equipadas con un sistema de soporte ajustable que permite alojar una gran variedad de frascos y botellas. Entre los accesorios opcionales se incluyen bastidores capaces de alojar tubos de 1,5 ml, 15 ml y 50 ml.

El modelo SIC-200D-C cuenta con la opción adicional de conectarse a un refrigerador de recirculación para aplicaciones en las que son necesarias condiciones de temperatura inferior a la ambiente (ambiente de -15 °C y mínima de 5 °C).

## 4. Preparación para uso

### 4.1 Instalación eléctrica



**ESTE INSTRUMENTO DEBE CONECTARSE A TIERRA**

Antes de conectar el instrumento, lea detenidamente estas instrucciones y asegúrese de que la alimentación de línea corresponde a la que

se muestra en la placa de características. El instrumento funciona con una alimentación de 230 V a 50 Hz. El consumo energético de la unidad es de 300 W para el modelo SI-200D y de 500 W para los modelos SIC-200D-L y SIC-200D-C. Asegúrese de utilizar un cable de alimentación eléctrica con las características correctas para el producto. El instrumento lleva incorporada una toma CEI en su parte trasera para la conexión del cable de alimentación eléctrica. Cuando desee aislarlo del suministro eléctrico, desconecte el cable de la toma CEI.

**Precaución: Los cables de fase y neutro están provistos de fusibles.**

#### Fusibles:

Fusible contra transitorios de 230 V - 3,15 A. Para el resto de tensiones, los fusibles deben sustituirse siempre por tipos de fusibles y potencias equivalentes a los que se van a retirar. Como alternativa, consulte el tipo de fusible y la potencia en la placa de características.

La unidad se suministra con dos cables de alimentación provistos de enchufes IEC que se conectan al instrumento. Uno de los cables tiene un enchufe de tres pines (Reino Unido) y el otro dispone de un enchufe "Schuko" de dos pines para la conexión a la red eléctrica. Elija el cable adecuado para su instalación eléctrica y deseche el otro. Si ninguno de los dos es adecuado, seleccione el cable que tiene el enchufe para el Reino Unido y sustituya el enchufe por otro que sea apropiado. Esto implica cortar el enchufe moldeado, preparar el cable y conectarlo al enchufe desmontable según las instrucciones pertinentes.

**ES IMPORTANTE QUE ESTA OPERACIÓN SÓLO LA LLEVE A CABO UN ELECTRICISTA CUALIFICADO**

NOTA: Consulte la placa de características del equipo para asegurarse de que el enchufe y el fusible sean los adecuados para la tensión y potencia indicadas. Los hilos del cable de alimentación tienen los colores siguientes:

FASE	-	MARRÓN
NEUTRO	-	AZUL
TIERRA	-	VERDE/AMARILLO

El cable de alimentación adecuado debe conectarse al instrumento ANTES de conectarlo a la alimentación de red eléctrica. En caso de que deba sustituirse el cable de alimentación, se utilizará un cable de 1 mm<sup>2</sup> de código armonizado H05VV-F conectado a un enchufe IEC320.

Nota: El cable de alimentación para el Reino Unido está protegido con un fusible de 10A montado en la parte superior del enchufe.

## SI TIENE DUDAS AL RESPECTO, CONSULTE A UN ELECTRICISTA CUALIFICADO

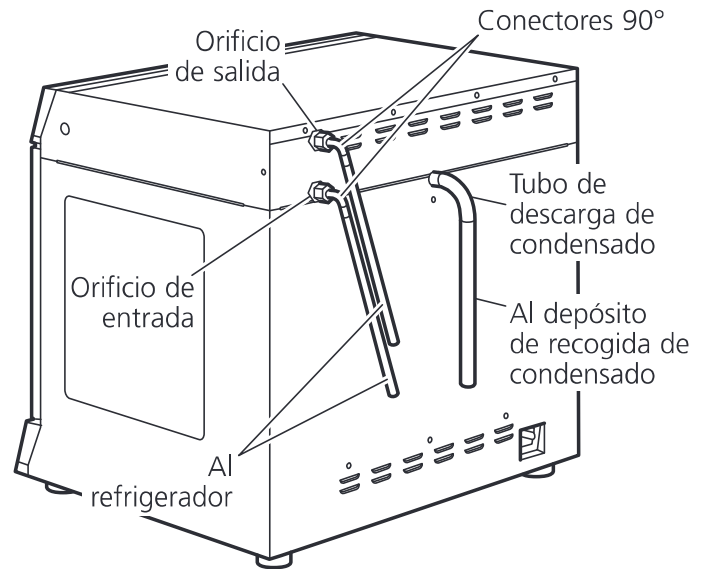
### 4.2 Colocación

Coloque la unidad en una superficie firme, nivelada y no deslizante, y asegúrese de que se disponga de suficiente espacio libre en todos los lados para evitar que pueda entrar en contacto con cualquier otra cosa durante su funcionamiento. Deje un espacio de al menos 100 mm en la parte trasera para facilitar el acceso al cable de alimentación eléctrica, así como 200 mm en cada lateral.

### 4.3 Conexión de la SIC-200D-C a un refrigerador de recirculación

Con el fin de incubar a temperaturas por debajo de la ambiente, la SIC-200D-C debe conectarse a un refrigerador de recirculación. Asegúrese de que la unidad refrigeradora está situada sobre una superficie sólida y de que no vibra cuando la incubadora está funcionando a máximas rpm. Conecte el tubo de condensado al tubo de descarga de condensado y el otro extremo a un depósito de recogida de residuos situado más abajo que el tubo de descarga de condensado. Asegúrese de que el depósito de recogida de condensado pueda recoger un volumen líquido al menos tan elevado como el volumen del refrigerante del refrigerador.

Fije los conectores de 90° suministrados a los dos conectores de la parte trasera de la unidad señalados como ENTRADA y SALIDA. Conecte los tramos de 1,5 m de largo del tubo de EPDM de 8 mm de la I.D. a los conectores y fíjelos con abrazaderas. Conecte los otros extremos de los conectores a los orificios del refrigerador, asegurándose de que no haya acodaduras en los tubos que reduzcan el flujo; no apretar en exceso.



Se obtendrá un rendimiento óptimo con el tubo de conexión lo más corto posible. Tenga en cuenta las especificaciones del refrigerador para las longitudes aceptables de los tubos y la altura máxima del cabezal. Coloque el refrigerador en una posición segura para evitar una colisión accidental.

### Refrigerante

Para temperaturas inferiores a 10 °C, o según se recomienda en el manual del refrigerador, debe utilizarse refrigerante. Se recomienda una mezcla 1:1 de etilenglicol de calidad de laboratorio y agua. NO utilice agua desionizada.

### AVISO:



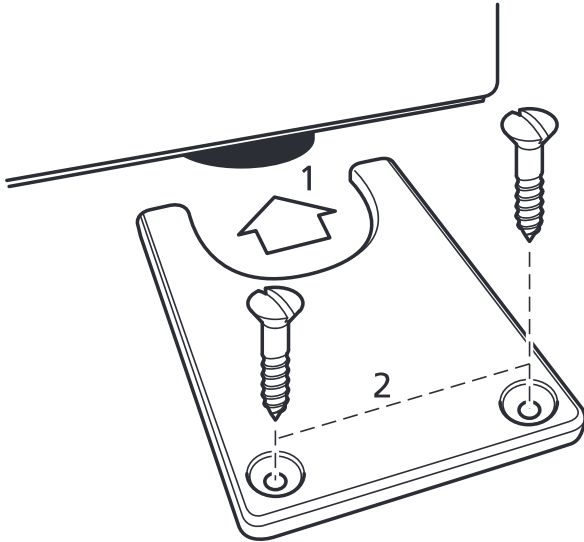
- ❖ No utilice refrigerantes inflamables.
- ❖ Consulte el manual del refrigerador para asegurarse de que se utiliza un líquido compatible.
- ❖ El fluido debe ser compatible con las piezas húmedas de la incubadora que son de latón, cobre, goma de EPDM y níquel.

Al utilizar un refrigerante de temperatura inferior a 0 °C, existe la posibilidad de que se produzca condensado en el tubo. Dicha condensación puede reducirse aislando el tubo. Asegúrese de que todos los tubos carezcan de acodaduras y restricciones y que estén bien fijados utilizando abrazaderas de cables si es necesario. Compruebe la existencia de fugas poniendo en marcha la bomba del refrigerador antes de fijar definitivamente la SIC-200D-C en el banco.



#### 4.4 Fijación de las abrazaderas para patas (SIC-200D-L y SIC-200D-C)

Para evitar que la unidad vibre o se desplace durante su funcionamiento, los modelos SIC-200D-L y SIC-200D-C deben ir fijados al banco de trabajo mediante abrazaderas para patas. Se facilitan dos abrazaderas para la fijación de las patas traseras.



Asegúrese de que la unidad esté colocada correctamente. Desde los laterales de la unidad, deslice las abrazaderas en torno a cada una de las patas traseras (1). Fíjelas en su lugar con dos tornillos n.º 8 de 20 mm (2).

Conecte la unidad a la alimentación eléctrica. **NO LA ENCIENDA.**

#### 4.5 Carga

**Precaución: mantenga los elementos sueltos alejados de la puerta antes de abrirla.**

Abra la puerta. Tire de los dos pomos de liberación con muelle negros situados a cada lado del soporte hacia los laterales de la incubadora y extraiga de la incubadora la plataforma de soporte arrastrándola hacia usted.

Cargue el soporte con recipientes y ajuste las barras de protección recubiertas de goma según corresponda. Asegúrese de que la carga esté equilibrada de manera uniforme y no supere la carga máxima indicada.

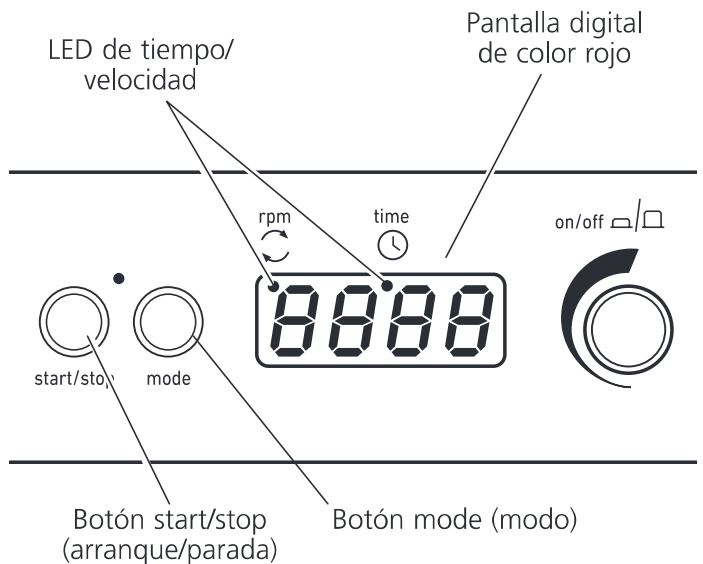
Empuje suavemente la plataforma de nuevo hacia el interior de la incubadora hasta dejarla bloqueada en su sitio. Cierre la puerta.

**NOTA: Asegúrese de que la plataforma retráctil se haya bloqueado tras un chasquido antes de intentar hacer funcionar la unidad. De lo contrario, se pueden producir daños en la unidad.**

## 5. Funcionamiento

### 5.1 Ajuste de la velocidad

Utilice el teclado situado en la base del instrumento para encender (ON) la unidad pulsando el botón de control. Pulse el botón mode (modo) hasta que aparezca un punto rojo en la pantalla debajo de "rpm". A continuación, la pantalla mostrará la última velocidad establecida. Ajuste la velocidad girando el botón de control. La velocidad mínima es de 30 rpm y la máxima de 300 rpm.



Cuando aparezca la velocidad correcta, pulse el botón start/stop (arranque/parada) para poner la unidad en movimiento. La velocidad se puede ajustar sin detener la unidad. La unidad se puede detener en cualquier momento pulsando el botón start/stop (arranque/parada). Si se abre la puerta mientras la unidad está en movimiento, se oirá una alerta de advertencia y la unidad dejará de moverse. La palabra "door" (puerta) también aparecerá brevemente en la pantalla. Cierre la puerta para continuar.

### 5.2 Ajuste del temporizador

Para utilizar el temporizador, detenga la rotación y pulse el botón mode (modo) para que aparezca el punto rojo en la pantalla debajo de "time" (tiempo). Se mostrarán tres líneas horizontales en la pantalla o el último tiempo almacenado. Seleccione el tiempo de cuenta atrás deseado con el botón de control. El tiempo se mostrará primero en minutos y segundos, después en

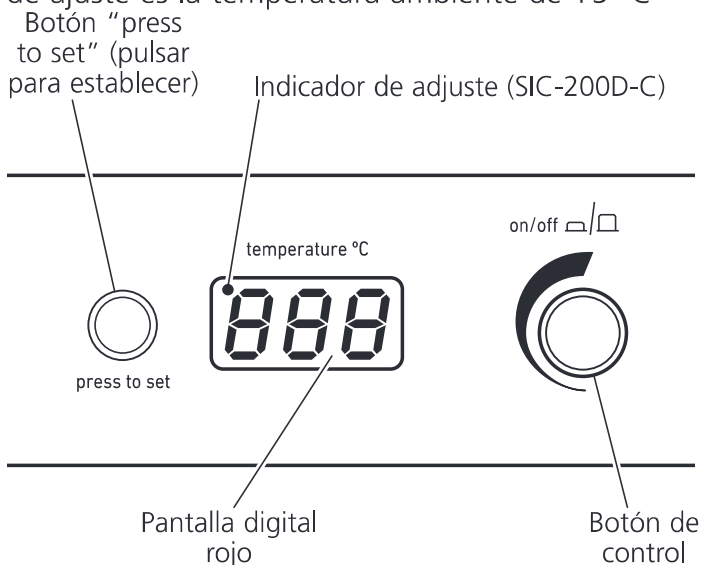
horas y minutos y, a continuación, en días y horas hasta un máximo de 9 días.

Cuando la pantalla muestre el tiempo correcto, pulse el botón start/stop (arranque/parada) para que empiece a funcionar la unidad. Durante el funcionamiento, el movimiento se puede detener en cualquier momento pulsando el botón start/stop (arranque/parada). Si se vuelve a pulsar el botón, se reanuda el movimiento y el temporizador continuará con la cuenta atrás. El temporizador se puede ajustar sin detener la unidad. Cuando el temporizador llegue a cero, la unidad se detendrá automáticamente y se oirá una alerta. Si se abre la puerta mientras la unidad está en proceso de cuenta atrás, se oirá una alerta de advertencia y se detendrá el movimiento y la cuenta atrás. La palabra "door" (puerta) también aparecerá brevemente en la pantalla. Cierre la puerta para continuar y se reanuda la cuenta atrás en el punto en que se detuvo.

**NOTA: Para desactivar el temporizar y volver a la rotación continua, seleccione - - - en la pantalla durante el modo de temporizador.**

### 5.3 Ajuste de la temperatura

Utilice el panel de control superior para encender (ON) la unidad de control de temperatura pulsando el botón de control. Mantenga pulsado el botón "press to set" (pulsar para establecer) y gire el botón hasta que se muestre la temperatura correcta. Cuando mantenga pulsado el botón "press to set" de la SIC-200D-C, se iluminará el indicador del ajuste para confirmar dicho ajuste. Deje de pulsar el botón "press to set". A continuación, la incubadora comenzará a calentar a la temperatura establecida. La temperatura real del interior de la unidad aparecerá en la pantalla. La temperatura mínima de ajuste es la temperatura ambiente de +5 °C



(ambiente de -15 °C o mínima de 5 °C para la SIC-200D-C) y la máxima de 60 °C.

### 5.4 Incubación a temperaturas inferior a la ambiente (solamente para SIC-200D-C)

El refrigerador conectado deberá encenderse cuando sea necesario para incubar aproximadamente a temperatura ambiente o inferior. Por encima de estas temperaturas, el refrigerador deberá apagarse. La temperatura del refrigerante del refrigerador deberá establecerse a la temperatura necesaria de la incubadora (-15 °C) y dentro de sus propios límites recomendados. Por ejemplo, si se requiere una temperatura de la incubadora de 15 °C, el refrigerante deberá establecerse en 0 °C. Para obtener las especificaciones estimadas, el caudal del refrigerante debe ser al menos de 9 l/min. La presión recomendada de funcionamiento es de 1,0 a 2,0 bar. La presión máxima de seguridad es de 4,0 bar.

Cuando utilice el refrigerador, compruebe periódicamente el depósito de recogida de condensado y que no esté bloqueado el tubo de descarga de condensación. Tenga en cuenta que podrían quedar sustancias peligrosas utilizadas en la incubadora en la rejilla de condensación. El condensado deberá eliminarse del mismo modo que las sustancias utilizadas en la incubadora, es decir, de modo seguro y en cumplimiento de la legislación medioambiental.

Después de un periodo de uso prolongado a baja temperatura, se recomienda apagar el refrigerador y ponerlo en funcionamiento a máxima temperatura durante una noche para asegurarse de que se seque la humedad existente en el mismo. \*

\*Observe que, durante el proceso de secado, no puede suponerse que la SIC-200D-C cumple todos los requisitos de seguridad de 61010-1.

### 5.5 Conectividad USB

La incubadora tiene la posibilidad de conectarse a un PC vía USB para realizar un seguimiento a largo plazo de la temperatura de la incubadora, por ejemplo, mientras funciona durante la noche. Extraiga el tapón hermético del puerto USB de la unidad incubadora y conecte el cable suministrado, conecte el otro extremo del cable a un Puerto USB libre del PC. La versión más reciente de nuestro software se puede descargar en [www.coleparmer.com](http://www.coleparmer.com). Una vez descargado, ejecute el programa y siga las indicaciones que aparecen en la pantalla.

## 6. Servicio, reparación y mantenimiento

**ADVERTENCIA:** Asegúrese de que la unidad esté desconectada del suministro eléctrico retirando el cable de alimentación antes de intentar realizar tareas de mantenimiento o reparaciones.

Este equipo no precisa operaciones de mantenimiento de rutina. El único mantenimiento necesario es la limpieza de las superficies internas y externas con un paño húmedo y un detergente suave. Las salpicaduras o los vertidos se deben limpiar inmediatamente tras aislar previamente la unidad del suministro eléctrico. Deje que la unidad seque completamente antes de ponerla nuevamente en funcionamiento.

### Utilización de la SIC-200D-C con un refrigerador:

- ❖ Compruebe periódicamente el estado del tubo.
- ❖ Si es necesario reemplazar el tubo o el refrigerante, no conecte o desconecte el tubo hasta que el refrigerante esté a temperatura ambiente.
- ❖ Evite las salpicaduras del refrigerante al conectar o desconectar el tubo desconectando previamente el tubo superior (descarga) para que el refrigerante drene.
- ❖ En caso de bloqueo de alguno de los tubos, no intente desbloquearlo inhalando o soplando a través del tubo. Reemplace el tubo.

### 6.1 Reparaciones y asistencia

Cualquier reparación o sustitución de piezas que se efectúe DEBE ser llevado a cabo por personal cualificado.

**Sólo se deben utilizar piezas de repuesto suministradas o especificadas por Antylia Scientific o su agente. La instalación de piezas no aprobadas puede afectar al rendimiento de las funciones de seguridad diseñadas en el instrumento.**

Para obtener una lista completa de las piezas que necesitarán los técnicos que efectúen reparaciones internas o para recibir un manual de servicio, póngase en contacto con el Departamento de servicio (cpservice@antylia.com), tel.: +44 (0)1785 810475, e indique el modelo y el número de serie.

Si desea realizar otras consultas técnicas, póngase en contacto con el Departamento de asistencia técnica (cptechsupport@antylia.com), tel: +44 (0)1785 810433.

## 7. Accesorios

Código	Descripción
SI500/1	Gradilla para 64 tubos de 1,5 ml
SI500/2	Gradilla para 25 tubos de 15 ml
SI500/3	Gradilla para 12 tubos de 50 ml
SI500/4	Gradilla para 16 recipientes universales de 30 ml
RSSL1	Barra de protección de repuesto para SI-200D
SI600/1	Barra de protección de repuesto para SIC-200D-L
SI600C-232	Arandela
SI600C-233	Conectores de 90°
SI600C-240	Tubo de condensado
SI600C-241	Tubo para refrigerante
SBS4074	Abrazadera
700198	Abrazadera

## 8. Especificaciones

	SI-200D	SIC-200D-L	SIC-200D-C*
<b>Especificaciones técnicas</b>			
Rango de temperatura	Ambiente de +5 °C a 60 °C	Ambiente de +5 °C a 60 °C	5 °C a 60 °C
Resolución de visualización de temperatura	0,1 °C	0,1 °C	0,1 °C
Precisión de temperatura <sup>1</sup>	±0,5 °C	±0,5 °C	±0,5 °C
Fluctuación de temperatura <sup>1</sup>	±0,5 °C (a 37 °C)	±0,5 °C (a 37 °C)	±0,5 °C (a 37 °C)
Variación de temperatura <sup>2</sup>	±0,5 °C	±0,5 °C	±0,5 °C
Rango de velocidad	Da 30 a 300 rpm	Da 30 a 300 rpm	Da 30 a 300 rpm
Diámetro orbital	16 mm	16 mm	16 mm
Tiempo de calentamiento 20-60 °C <sup>3</sup>	<30 min	<30 min	<30 min
Tiempo de enfriamiento 20-5 °C <sup>3</sup>	-	-	<60 min
Carico massimo	10 kg	10 kg	10 kg
Presión máxima de seguridad del refrigerante	-	-	4,0 bar
Peso neto	30 kg	53 kg	60 kg
Potencia nominal de calefacción	250 W	400 W	400 W
Alimentación eléctrica	230 V, 50 Hz, 300 W	230 V, 50 Hz, 300 W	230 V, 50 Hz, 500 W

### Dimensiones externas

Altura	522mm	640mm	640mm
Profundidad	474mm	542mm	542mm
Anchura	450mm	675mm	675mm

### Dimensiones internas de la incubadora

Altura	297mm	395mm	380mm
Profundidad	408mm	455mm	465mm
Anchura	422mm	625mm	625mm
Altura máxima del recipiente	250mm	320mm	320mm
Tamaño de la plataforma	335 x 335mm	525 x 390mm	525 x 390mm

### Capacidad de la incubadora

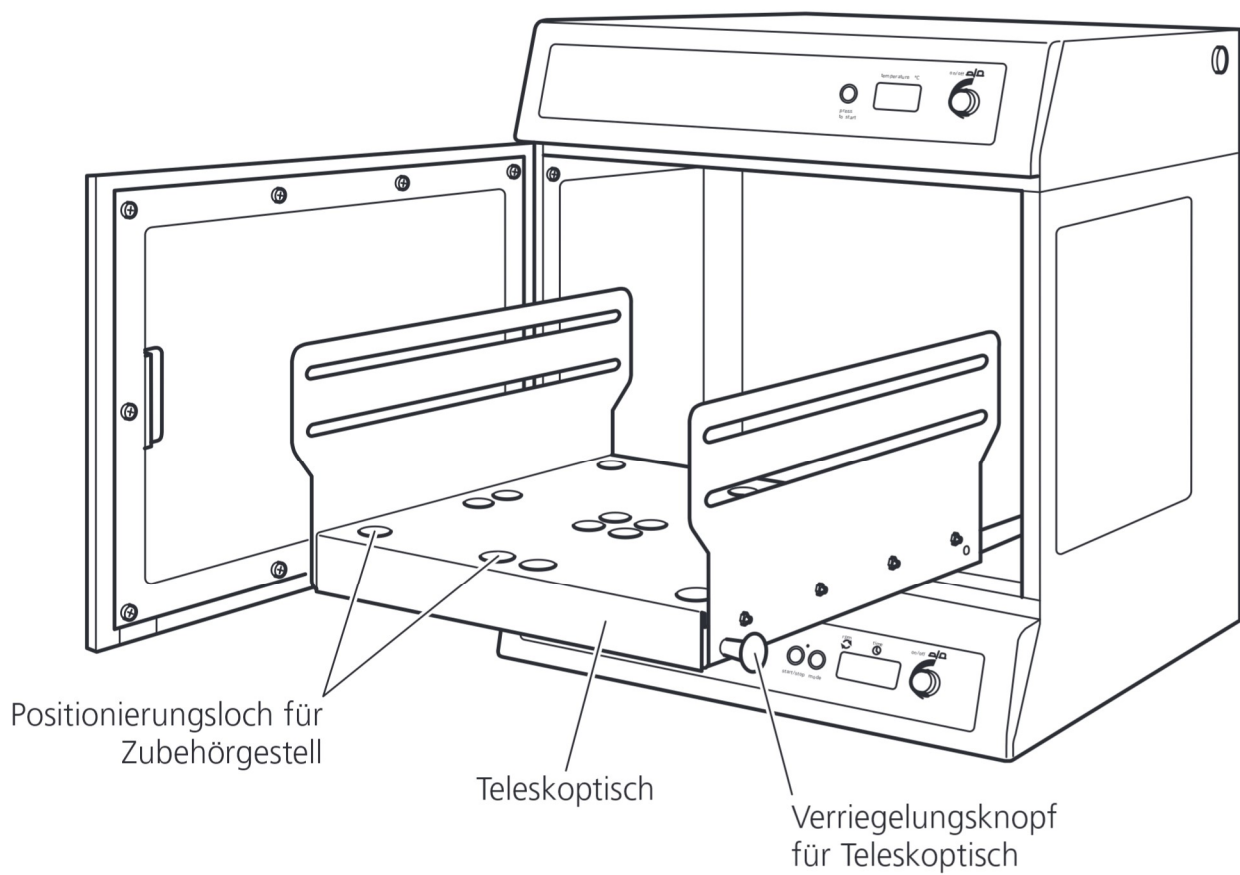
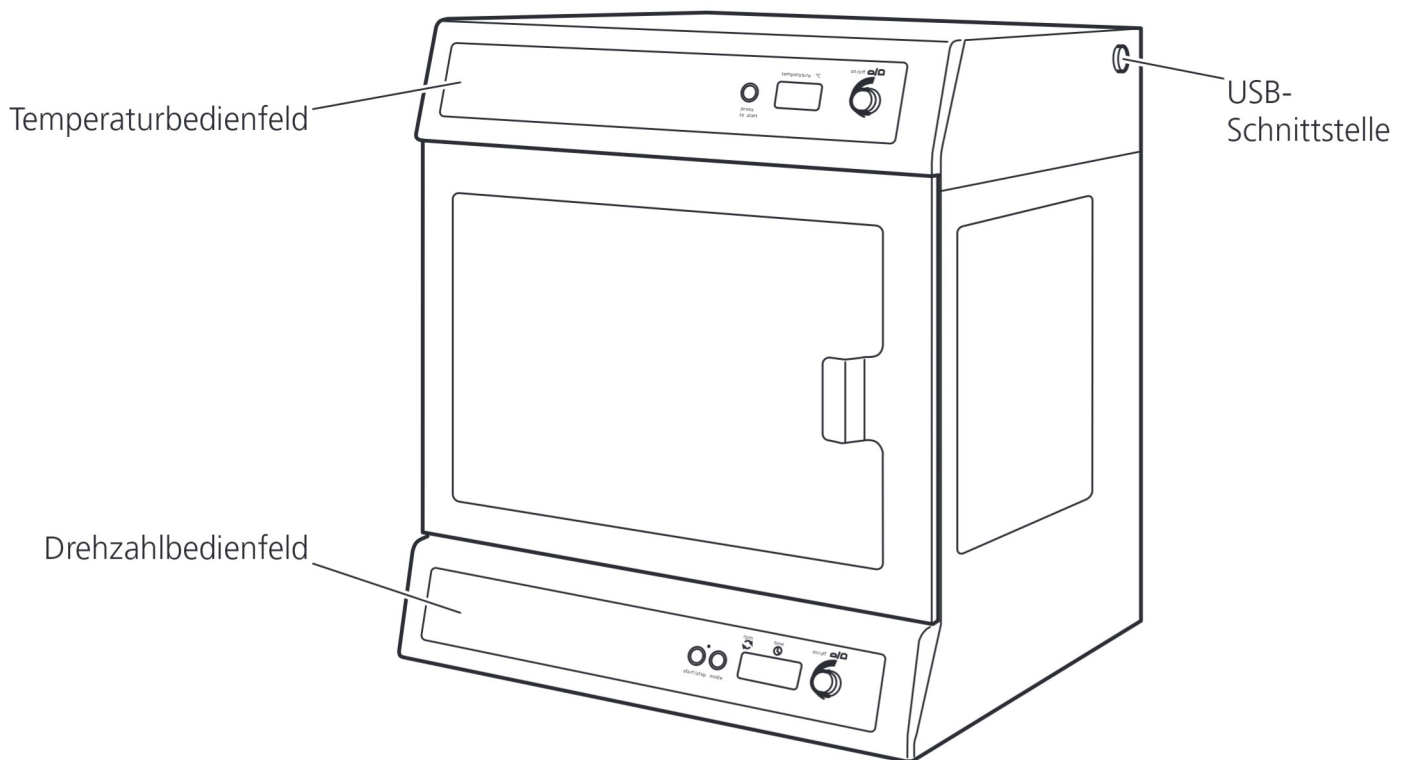
2800 ml frascos Fernbach	0	2	2
2000 ml frascos cónicos	0	6	6
1000 ml frascos cónicos	4	9	9
500 ml frascos cónicos	9	15	15
Accesorios magnéticos	4	6	6

\*Especificaciones de refrigeración utilizando un refrigerador de recirculación Cole-Parmer SRC4. Las especificaciones de refrigeración pueden verse afectadas por la capacidad del refrigerador utilizado.

<sup>1</sup>A 37 °C, ambiente de 20 °C +/- 2 °C, sin carga, medida en el centro de la unidad.

<sup>2</sup>A 37 °C, ambiente de 20 °C +/- 2 °C, sin carga, medida a través del área del agitador en el centro de la unidad.

<sup>3</sup>Ambiente de 20 °C +/- 2 °C.





# SCHÜTTELINKUBATOREN

## SI-200D, SIC-200D-L und SIC-200D-C

### Gebrauchsanweisung

## 1. Einführung

Vielen Dank, dass Sie sich für dieses Cole-Parmer-Gerät entschieden haben. Um die optimale Leistung des SI-200D und SIC-200D-L zu erreichen, lesen Sie bitte diese Gebrauchsanweisung sorgfältig durch, bevor Sie das Gerät in Betrieb nehmen. Überprüfen Sie bitte vor dem Entsorgen der Verpackung, dass alle Teile vorhanden und in Ordnung sind.

Artikel-Nummer	Beschreibung
HH179(S)	Netzkabel mit GB-Stecker
HH180(S)	Netzkabel mit EU-Stecker
SI600-89	Bedienungsanweisung
I/FCALUSB	USB-Kabel
RSSL1 oder SI600/1	Sicherungsstangen (4)
7001096	Garantiekarte
SI600-214	Fixierung für Standfüße (2) und Schrauben (4) für SIC-200D-L und SIC-200D-C

#### Nur SIC-200D-C:

SI600C-232	Unterlegscheibe(2)
SI600C-233	90°-Anschlüsse(2)
SI600C-240	Kondensatschläuche
SI600C-241	Kühlschläuche (2)
SBS4074	Schlauchklemme (1)
700198	Schlauchklemmen(4)

Zu Ihrer eigenen Sicherheit und der Sicherheit anderer Personen sollten Sie die nachfolgenden Sicherheitshinweise vor Inbetriebnahme des Geräts lesen und verstehen.



## 2. Sicherheitshinweise

Das Gerät darf nur in der hier beschriebenen Weise und mit Zubehör betrieben werden, das von Antylia Scientific empfohlen wurde; andernfalls kann der gewährte Schutz beeinträchtigt werden.

*Dieses Gerät ist für den Betrieb unter folgenden Bedingungen ausgelegt:*

- ❖ Nur für den Betrieb in Innenräumen
- ❖ Betrieb in gut belüfteten Räumen
- ❖ Umgebungstemperatur +5 °C bis +40 °C
- ❖ Höhenlage bis 2000 m
- ❖ Relative Luftfeuchtigkeit maximal 80 %
- ❖ Schwankungen in der Stromversorgung maximal 10 %
- ❖ Überspannungskategorie II IEC60364-4-443
- ❖ Verschmutzungsgrad 2

*Sicherheitshinweise:*



**VORSICHT: SCHWERER GEGENSTAND. VERSUCHEN SIE NICHT, DAS GERÄT ALLEIN ZU HEBEN ODER ZU TRANSPORTIEREN.**

- ❖ Halten Sie einen Mindestabstand von 200 mm nach allen Seiten (100 mm an der Rückseite) von der Wand oder anderen Gegenständen ein.
- ❖ Nicht zum Erhitzen oder Mischen von Materialien verwenden, die Gase freisetzen oder Explosionen oder Implosionen verursachen könnten.
- ❖ Nicht in Bereichen aufstellen (oder einsetzen), die als gefährlich bekannt sind. Transportieren Sie das Gerät nicht, wenn es in Betrieb oder an die Netzstromversorgung angeschlossen ist.
- ❖ Das Gerät beim Heben oder Bewegen immer am Fuß anheben
- ❖ Betreiben Sie das Gerät nicht in einer gefährlichen Umgebung oder einer Umgebung mit gefährlichen Werkstoffen.
- ❖ Stellen Sie eine ausgeglichene Last sicher.
- ❖ Versuchen Sie nicht, die Bewegung des Geräts mit der Hand zu stoppen.
- ❖ Lehnen Sie sich nicht auf die offene Tür des SIC-200D-L or SIC-200D-C, da dies zum Umkippen des Gerätes führen könnte, besonders dann, wenn der Teleskoptisch herausgezogen ist. Lassen Sie den Inkubator außerdem nicht unbeaufsichtigt, wenn die Tür offen steht.
- ❖ Das Anbringen der Fixierungen für die Standfüße des SIC-200D-L und SIC-200D-C ist vor der Inbetriebnahme erforderlich (vgl. 4.4).
- ❖ Bei Stromausfällen startet das Gerät nicht

automatisch, wenn die Stromversorgung wieder hergestellt ist. Bei mechanischen Unterbrechungen (z. B. Stoppen des Motors) setzt das Gerät den Betrieb fort, sobald die Ursache für die Unterbrechung beseitigt ist.

- ❖ Mechanische Energie kann zum Zerschlagen der Glasgefäße führen. Behandeln Sie die Glasgefäße daher mit Vorsicht.



**NEHMEN SIE DIE GEFÄSSE VORSICHTIG AUS DEM INKUBATOR HERAUS, DA SIE HEISS SEIN KÖNNEN.**

## 3. Allgemeine Beschreibung

Die Schüttelinkubatoren SI-200D, SIC-200D-L und SIC-200D-C von Cole-Parmer sind ideal geeignet zum Mischen und Belüften verschiedener biologischer Proben unter genauen, temperaturgesteuerten Bedingungen. Der Schütteltisch hat eine digital gesteuerte Geschwindigkeitseinstellung, die eine ruckfreie, gleichförmige Drehbewegung mit einer Umlaufbahn von 16 mm gewährleistet. Der Drehzahlbereich liegt zwischen 30 und 300 U/Min. Außerdem verfügt das Gerät über einen einstellbaren Countdown-Timer, der automatisch nach der eingestellten Zeit (1-Sekunden-Schritte bis 1 Stunde, 1-Minuten-Schritte bis 24 Stunden oder 1-Stunden-Schritte bis 9 Tage) stoppt. Der Schubladenmechanismus des Schütteltisches ermöglicht einen einfachen Zugang zu den Inkubationsbehältern. Die Temperatur wird über ein einfaches Tastendrucksystem in Intervallen von 0,1°C bei Raumtemperaturen von +5°C bis 60°C gesteuert.

Der SI-200D und der SIC-200D-L sind beide mit einem vollständig einstellbarem Tablarsystem ausgestattet, das zur Unterbringung der verschiedensten Glaskolben und Flaschen geeignet ist. Das optionale Zubehör umfasst Gestelle zur Aufnahme von Röhrchen der Größe 1,5 ml, 15 ml und 50 ml.

Das Modell SIC-200D-C verfügt über eine zusätzliche Option zum Anschluss einer Umlaufkühlung, die Anwendungen ermöglicht, in denen Zustände mit tiefen Temperaturen (Umgebungstemperatur -15 °C, mind. 5°C) erforderlich sind.

## 4. Vorbereitungen zur Inbetriebnahme

### 4.1 Elektrische Installation



**DIESES INSTRUMENT MUSS GEERDET WERDEN.**

Lesen Sie bitte die nachstehenden Anweisungen und stellen Sie sicher, dass die Stromversorgung den auf dem Geräteschild angegebenen Werten entspricht, bevor Sie das Instrument anschließen. Das Instrument ist für den Anschluss an eine Stromversorgung mit 230V, 50Hz ausgelegt. Die Leistungsaufnahme beträgt 300 W für den SI-200D und 500 W für den SIC-200D-L und SIC-200D-C. Vergewissern Sie sich, dass die richtige Netzspannung für das Gerät verwendet wird. Auf der Rückseite des Instruments befindet sich eine IEC-Buchse für den Anschluss des Netzkabels. Wollen Sie das Gerät von der Stromversorgung trennen, ziehen Sie das Netzkabel raus.

**Achtung: Sowohl die spannungsführenden als auch die Neutralleiter sind mit Sicherungen versehen.**

#### Sicherungen:

Sicherung mit Überspannungsschutz 230V - 3,15A. Ersetzen Sie bei allen anderen Spannungen die Sicherung durch einen entsprechenden Sicherungstyp mit den entsprechenden Nenndaten. Alternativ sind Sicherungstyp und Nenndaten auf dem Geräteschild angegeben.

Dieses Gerät ist mit zwei Netzkabeln mit IEC-Steckern für den Anschluss an das Instrument ausgestattet. Zum Anschluss an die Stromversorgung ist ein Kabel mit einem 3-poligen GB-Stecker, das andere mit einem 2-poligen Schuko-Stecker versehen. Wählen Sie das für Ihre Elektroinstallation geeignete Kabel und entfernen Sie das andere. Sollten beide Kabel ungeeignet sein, entfernen Sie den GB-Stecker und ersetzen Sie ihn durch eine geeignete Alternative. Dazu müssen Sie den Formstecker abschneiden, das Kabel vorbereiten und den verdrahtbaren Stecker gemäß den Anweisungen anschließen.

**DIESER VORGANG DARF NUR VON EINEM QUALIFIZIERTEN ELEKTRIKER DURCHFÜHRT WERDEN.**

**HINWEIS:** Prüfen Sie anhand des Geräteschildes, dass Stecker und Sicherungen für die angegebene Spannungs- und Stromstärke geeignet sind. Die Leiter des Netzkabels sind wie folgt farbcodiert:

SPANNUNGSFÜHREND - BRAUN  
NEUTRAL - BLAU  
MASSE - GRÜN-GELB

Der entsprechenden Netzstromleiter sollte mit dem Instrument verbunden werden, BEVOR der Anschluss an die Stromversorgung erfolgt. Sollte ein Austausch des Netzkabels erforderlich sein, muss ein Kabel mit einem Querschnitt von 1mm<sup>2</sup> mit dem harmonisierten Code H05VV-F und einem IEC320-Stecker verwendet werden. Hinweis: Das GB- Netzkabel ist durch eine im Oberteil des Steckers angebrachte 10 A Sicherung geschützt.

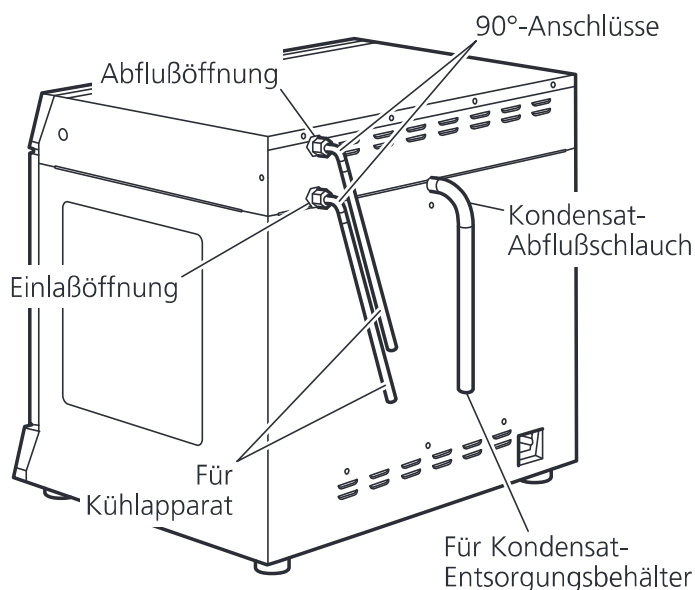
### **BEI ZWEIFELN WENDEN SIE SICH AN EINEN QUALIFIZIERTEN ELEKTRIKER.**

#### **4.2 Aufstellung**

Stellen Sie das Gerät auf eine feste, ebene, rutschfeste Fläche und stellen Sie sicher, dass es auf allen Seiten des Gerätes genügend Freiraum gibt, damit es während des Betriebs nicht mit anderen Dingen in Berührung kommt. Lassen Sie auf der Rückseite mindestens 100 mm Platz, damit das Netzkabel leicht zugänglich ist, und lassen Sie 200 mm rechts und links des Gerätes frei.

#### **4.3 Anschluss des SIC-200D-C an eine Umlaufkühlung**

Um unter Umgebungsumständen zu inkubieren, muss der SIC-200D-C an eine Umlaufkühlung angeschlossen werden. Stellen Sie sicher, dass



sich der Kühlapparat auf einer festen Oberfläche befindet und nicht vibriert, wenn der Inkubator mit maximaler Drehzahl (U/Min) arbeitet. Verbinden Sie die Kondensatschläuche mit dem Kondensatablassrohr und das andere Ende mit einem Abwasserauffangbehälter, der tiefer liegt als das Kondensatablassrohr. Vergewissern Sie sich, dass der Abfallentsorgungsbehälter ein Flüssigvolumen halten kann, das so groß wie das Volumen des Kühlmittels des Kühlapparats ist.

Befestigen Sie die 90°-Anschlüsse an den zwei Anschlüssen, die sich an der Hinterseite des Geräts befinden und mit INLET (Einlaß) und OUTLET (Abfluß) beschriftet sind. Verbinden Sie die I.D.: EPDM-Schläuche (1,5 Länge, 8 mm) mit den Anschlüssen und sichern Sie diese mit Schlauchklemmen. Verbinden Sie die anderen Enden der Anschlüsse mit den Öffnungen des Kühlapparats, um sicherzustellen, dass keine Knicke in den Schläuchen auftreten, die den Fluss einschränken. Nicht zu stark anziehen.

Eine optimale Leistung wird mit Anschlusschläuchen erreicht, die so kurz wie möglich sind. Überprüfen Sie in der Spezifikation des Kühlapparats die zulässigen Schlauchlängen und die maximale Kopfhöhe. Stellen Sie den Kühlapparat an einen sicheren Platz, um unvorhergesehene Zusammenstöße zu vermeiden.

#### **Kühlmittel**

Bei Temperaturen unter 10°C, oder je nach Empfehlung in der Anleitung des Kühlapparats, muss ein Kühlmittel verwendet werden. Es wird eine Mischung von 1:1 Ethylenglykol in Laborqualität und Wasser empfohlen. VERWENDEN SIE KEIN vollentsalztes Wasser.

#### **ACHTUNG:**



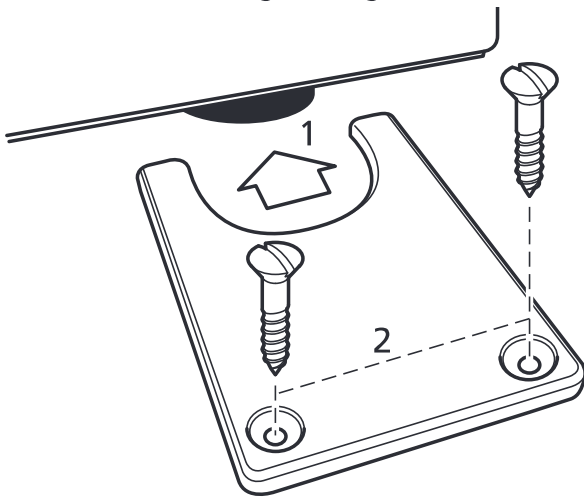
- ❖ Verwenden Sie keine entflammaren Kühlmittel.
- ❖ Lesen Sie die Anleitung des Kühlapparats, um sicherzustellen, dass eine kompatible Flüssigkeit verwendet wird.
- ❖ Die Flüssigkeit muss kompatibel mit den berührten Teilen des Inkubators sein, dies sind Messing, Kupfer, EPDM-Kautschuk und Nickel.

Bei Verwendung eines Kühlmittel unter 0°C

besteht ein Potenzial für Kondensate, die sich an den Schläuchen bilden. Dies kann durch Isolieren der Schläuche reduziert werden. Vergewissern Sie sich, dass alle Schläuche frei von Knicken und Einschränkungen sind und dass diese, falls erforderlich, mit Kabelbindern ordentlich befestigt sind. Überprüfen Sie die Schläuche auf undichte Stellen, indem Sie die Kühlpumpe in Betrieb setzen, bevor der SIC-200D-C auf der Arbeitsfläche befestigt wird.

#### 4.4 Fixierung der Standfüße (SIC-200D-L und SIC-200D-C)

Um zu verhindern, dass das Gerät während des Betriebs vibriert oder sich bewegt, muss der SIC-200D-L und SIC-200D-C auf der Arbeitsfläche mit den Fixierungen für die Standfüße gesichert werden. Zur Sicherung der hinteren Standfüße werden zwei Fixierungen mitgeliefert.



Vergewissern Sie sich, dass das Gerät richtig aufgestellt ist. Schieben Sie die Fixierungen jeweils von der Seite des Geräts um einen der hinteren Standfüße (1). Befestigen Sie die Fixierung mit 2 Schrauben (8 x 20 mm) (2).

Verbinden Sie das Gerät mit der Stromversorgung - SCHALTEN SIE ES NICHT EIN.

#### 4.5 Beladung

**Achtung: Halten Sie lose Objekte von der Tür fern, bevor diese geöffnet wird.**

Öffnen Sie die Tür. Ziehen Sie die schwarzen Verriegelungsknöpfe auf beiden Seiten des Teleskoptisches nach außen und ziehen Sie den Teleskoptisch dann aus dem Inkubator zu sich heraus.

Beladen Sie den Teleskoptisch mit Gefäßen und richten Sie die kunststoffüberzogenen

Sicherungsstangen wie erforderlich ein. Stellen Sie sicher, dass die Beladung gleichmäßig verteilt und die angegebene maximale Beladung nicht überschritten ist.

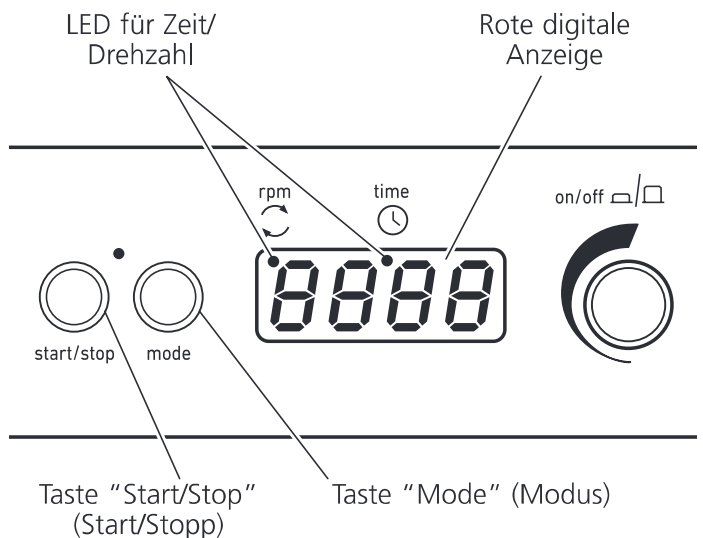
Schieben Sie den Tisch vorsichtig wieder in den Inkubator, bis er einrastet. Schließen Sie die Tür.

**Hinweis: Vergewissern Sie sich, dass der Teleskoptisch hörbar eingerastet ist, bevor Sie das Gerät in Betrieb nehmen. Andernfalls kann das Gerät beschädigt werden.**

## 5. Bedienung

### 5.1 Einstellung der Drehzahl

Schalten Sie das Gerät EIN, indem Sie den Regler auf dem Tastenfeld unten am Gerät drücken. Drücken Sie die Taste "mode" (Modus), bis ein roter Punkt am Display unter "rpm" (U/Min) angezeigt wird. Am Display erscheint danach die zuletzt eingestellte Drehzahl. Stellen Sie die Drehzahl durch Drehen des Regelknopfs ein. Die Mindestdrehzahl beträgt 30 U/Min, der maximale Werte 300 U/Min.



Drücken Sie die Taste "start/stop" (Start/Stop), sobald die richtige Drehzahl angezeigt wird, um das Gerät in Bewegung zu setzen. Sie können die Drehzahl ohne Anhalten des Geräts einstellen. Sie können das Gerät jederzeit anhalten, indem Sie die Taste "start/stop" (Start/Stop) drücken. Wenn die Tür geöffnet wird, während sich das Gerät dreht, ertönt ein Warnsignal und die Bewegung wird gestoppt. Das Wort Taste "door" (Tür) wird außerdem kurz am Bildschirm angezeigt. Schließen Sie die Tür, um fortzufahren.

### 5.2 Einstellen des Timers

Stoppen Sie die Drehung, um den Timer zu verwenden, und drücken Sie die Taste "mode" (Modus). Unter "time" (Zeit) auf dem Display erscheint daraufhin ein roter Punkt. Danach



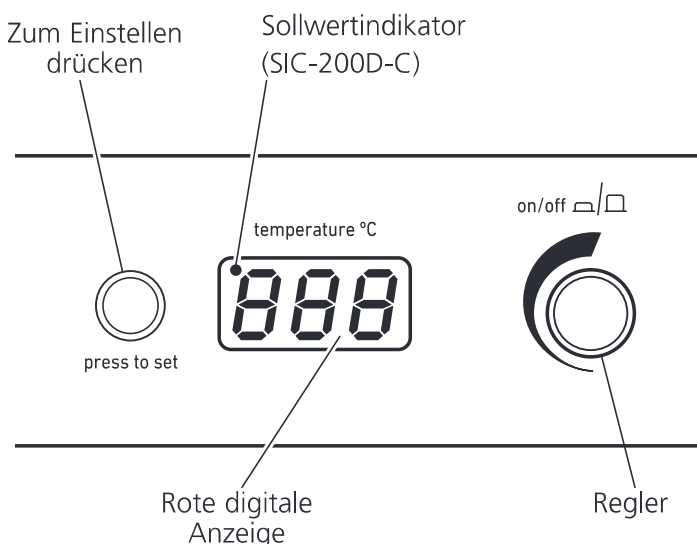
werden drei horizontale Linien oder die zuletzt gespeicherte Zeit angezeigt. Wählen Sie die gewünschte Zeiteinstellung mithilfe des Regelknopfes. Die Zeit wird zunächst in Minuten und Sekunden, danach in Stunden und Minuten und schließlich in Tagen und Stunden bis maximal 9 Tage angezeigt.

Wenn die richtige Zeit angezeigt wird, drücken Sie die Taste "start/stop" (Start/Stopp), um das Gerät in Betrieb zu setzen. Sie können das Gerät jederzeit während des Betriebs anhalten, indem Sie die Taste "start/stop" (Start/Stopp) drücken. Wenn Sie diese Taste erneut drücken, wird die Bewegung fortgesetzt und der Timer fährt mit dem Countdown fort. Sie können den Timer ohne Anhalten des Geräts einstellen. Sobald der Timer Null erreicht hat, wird das Gerät automatisch gestoppt und ein Warnsignal ausgegeben. Wenn die Tür geöffnet wird, während der Countdown läuft, ertönt ein Warnsignal und die Bewegung sowie der Countdown werden gestoppt. Das Wort "door" (Tür) wird außerdem kurz am Bildschirm angezeigt. Schließen Sie die Tür, um fortzufahren. Der Countdown wird an dem Punkt fortgesetzt, an dem er gestoppt wurde.

**Hinweis: Um den Timer zu deaktivieren und zur Dauerdrehung zurückzukehren, wählen Sie "- - -" an der Anzeige im aktivierten Timer-Modus.**

### 5.3 Einstellen der Temperatur

Schalten Sie den Temperaturregler EIN, indem Sie den Regler im oberen Bedienfeld drücken. Halten Sie die Taste „press to set“ (zum Einstellen drücken) gedrückt und drehen Sie dabei den Knopf, bis die richtige Temperatur angezeigt wird. Beim Drücken der Taste „press to set“ (zum Einstellen drücken) wird im SIC-200D-C ein Sollwertindikator aufleuchten, um den Sollwert zu bestätigen.



Lassen Sie die Taste "press to set button" los. Der Inkubator beginnt dann mit der Erhitzung bis zur eingestellten Temperatur. Die tatsächliche Innentemperatur des Geräts wird auf dem Bildschirm angezeigt. Die minimal eingestellte Umgebungstemperatur ist +5°C (Mindestumgebungstemperatur -15°C oder 5°C bei SIC-200D-C) und die Maximaltemperatur beträgt 60°C.

### 5.4 Inkubation bei tiefen Temperaturen (Nur SIC-200D-C)

Der angeschlossene Kühlapparat sollte eingeschaltet werden, wenn es erforderlich ist, bei Umgebungstemperatur oder niedriger zu inkubieren. Bei höheren Temperaturen sollte der Kühlapparat ausgeschaltet werden. Die Temperatur des Kühlmittels sollte auf die erforderliche Inkubatortemperatur von -15°C gestellt werden und innerhalb der eigenen empfohlenen Sollwerte liegen. Wenn zum Beispiel eine Inkubatortemperatur von -15°C erforderlich ist, sollte das Kühlmittel auf 0°C eingestellt werden. Um die angegebene Spezifikation zu erhalten, sollte der Kühlmitteldurchfluss mindestens 9 l/min betragen. Der empfohlene Betriebsdruck beträgt 1,0 bis 2,0 Bar. Der sichere Maximaldruck beträgt 4,0 Bar.

Überprüfen Sie bei Verwendung des Kühlapparats in regelmäßigen Abständen den Kondensatauffangbehälter und dass der Kondensatabflussschlauch nicht blockiert ist. Beachten Sie, dass gefährliche Substanzen, die im Inkubator benutzt werden, im Auffangbehälter der Kondensate zurückbleiben können. Das Kondensat sollte auf die gleiche Art und Weise entsorgt werden, wie die im Inkubator benutzten Substanzen, d.h. auf sichere Art und Weise in Übereinstimmung mit umweltrechtlichen Vorschriften.

Es wird empfohlen, dass nach einem längeren Nutzungszeitraum bei niedriger Temperatur der Kühlapparat ausgeschaltet wird und bei maximaler Temperatur über Nacht laufen gelassen werden sollte, um sicherzustellen, dass jegliche Feuchtigkeit im Gerät getrocknet ist. \*

\*Hinweis: Es kann nicht angenommen werden, dass der SIC-200D-C während des Trocknens alle Sicherheitsbestimmungen der 61010-1 erfüllt.

### 5.5 USB-Anschluss

Der Schüttelinkubator kann über eine USB-Schnittstelle zwecks Langzeitüberwachung der Temperatur, zum Beispiel über Nacht, an



einen PC angeschlossen werden. Nehmen Sie die wasserdichte Verschlusskappe von der USB-Schnittstelle am Schüttelinkubator ab und schließen Sie ein Ende des mitgelieferten Kabels an das Gerät und das andere Ende an eine freie USB-Schnittstelle Ihres PC an. Sie finden die aktuellste Version der Software als Download unter [www.coleparmer.com](http://www.coleparmer.com). Führen Sie nach dem Herunterladen das Programm aus und befolgen Sie die Befehle am Bildschirm.

## 6. Service, Wartung und Reparatur

**ACHTUNG: Stellen Sie sicher, dass das Gerät von der Stromversorgung getrennt ist, indem Sie das Netzkabel aus der Buchse ziehen, bevor Sie Service- oder Wartungsarbeiten durchführen.**

Dieses Gerät erfordert keine regelmäßigen Servicearbeiten. Die einzige erforderliche Wartung ist die Reinigung des Gerätes innen und außen mit einem feuchten Tuch und einem milden Reinigungsmittel. Verschüttetes Material oder Spritzer sollten sofort entfernt werden, nachdem Sie zuerst das Gerät von der Stromversorgung getrennt haben. Lassen Sie das Gerät wieder völlig trocken werden, bevor Sie es wieder in Betrieb nehmen.

**Bei Verwendung des SIC-200D-C mit einem Kühlapparat:**

- ❖ Überprüfen Sie den Zustand der Schläuche in regelmäßigen Abständen.
- ❖ Wenn die Schläuche oder das Kühlmittel ausgetauscht werden müssen, schließen Sie die Schläuche nicht an oder entfernen Sie diese nicht, bis das Kühlmittel Raumtemperatur angenommen hat.
- ❖ Vermeiden Sie das Verschütten des Kühlmittels, wenn die Schläuche angeschlossen oder entfernt werden, indem Sie beim Entfernen des oberen Schlauchs (Abfluß) das Kühlmittel abfließen lassen.
- ❖ Wenn Schläuche blockiert sind, versuchen Sie diese nicht durch Inhalieren oder Blasen freizumachen. Wechseln Sie die Schläuche aus.

### 6.1 Reparatur und Support

Reparaturen und ein Austausch von Teilen MÜSSEN von entsprechend qualifizierten Personal durchgeführt werden.

**Es dürfen nur Ersatzteile verwendet werden, die von Antylia Scientific oder seinem Vertreter geliefert oder angegeben werden. Die Verwendung**

**nicht genehmigter Teile kann die Leistung der in das Gerät integrierten Sicherheitseinrichtungen beeinträchtigen.**

Um eine umfassende Ersatzteilliste anzufordern, die Servicetechniker für interne Reparaturen benötigen, oder um ein Servicehandbuch zu bestellen, wenden Sie sich bitte an die Serviceabteilung unter [cpsservice@antylia.com](mailto:cpsservice@antylia.com), Tel: +44 (0)1785 810475.

Geben Sie bitte die Modell- und die Seriennummer an.

Andere technische Fragen richten Sie bitte an die Kundendienstabteilung unter [cptechsupport@antylia.com](mailto:cptechsupport@antylia.com) Tel: +44 (0)1785 810433.

## 7. Zubehör

Code	Beschreibung
SI500/1	Röhrchenhalter für 64 x 1,5 ml Röhrchen
SI500/2	Röhrchenhalter für 25 x 15 ml Röhrchen
SI500/3	Röhrchenhalter für 12 x 50 ml Röhrchen
SI500/4	Röhrchenhalter für 16 x 30 ml Universalbehälter
RSSL1	Ersatzsicherungsstange für SI-200D
SI600/1	Ersatzsicherungsstange für
SIC-200D-L	
SI600C-232	Unterlegscheibe
SI600C-233	90°-Anschlüsse
SI600C-240	Kondensatschläuche
SI600C-241	Kühlschläuche
SBS4074	Schlauchklemme
700198	Schlauchklemme

## 8. Spezifikation

	SI-200D	SIC-200D-L	SIC-200D-C*
<b>Technische Daten</b>			
Temperaturbereich	Umgebungstemperatur +5°C bis 60°C	Umgebungstemperatur +5°C bis 60°C	5°C bis 60°C
Auflösung der Temperaturanzeige	0,1°C	0,1°C	0,1°C
Temperaturgenauigkeit <sup>1</sup>	±0,5°C	±0,5°C	±0,5°C
Temperaturschwankung <sup>1</sup>	±0,5°C (bei 37°C)	±0,5°C (bei 37°C)	±0,5°C (bei 37°C)
Temperaturabweichung <sup>2</sup>	±0,5°C	±0,5°C	±0,5°C
Drehzahlbereich	30 bis 300 U/min	30 bis 300 U/min	30 bis 300 rpm
Bahndurchmesser	16 mm	16 mm	16 mm
Vorwärmungszeit 20-60°C <sup>3</sup>	<30 min	<30 min	<30 min
Abkühlzeit 20-5°C <sup>3</sup>	-	-	<60 min
Maximale Last	10 kg	10 kg	10 kg
Sicherer Maximaldruck des Kühlmittels	-	-	4,0 bar
Nettogewicht	30 kg	53 kg	60kg
Heiznennleistung	250 W	400 W	400 W
Stromversorgung	230 V, 50 Hz, 300 W	230 V, 50 Hz, 500 W	230 V, 50 Hz, 500 W

### Gesamtabmessungen

Höhe	522 mm	640 mm	640 mm
Tiefe	474 mm	542 mm	542 mm
Breite	450 mm	675 mm	675 mm

### Innenabmessungen des Inkubators

Höhe	297 mm	395 mm	380 mm
Tiefe	408 mm	455 mm	465 mm
Breite	422 mm	625 mm	625 mm
Maximale Gefäßhöhe	250 mm	320 mm	320 mm
Tischgröße	335 x 335 mm	525 x 390 mm	525 x 390 mm

### Brutkastenkapazität

2800ml Fernbach Flaschen	0	2	2
2000ml Erlenmeyerkolben	0	6	6
1000ml Erlenmeyerkolben	4	9	9
500ml Erlenmeyerkolben	9	15	15
Magnetische Zubehör	4	6	6

\*Spezifikation, in der Kühlung mit einer Cole-Parmer SRC4 Umlaufkühlung erreicht wurde. Die Spezifikationen der Kühlung können von der Kapazität der verwendeten Kühlung beeinflusst werden.

<sup>1</sup>Bei 37°C, Umgebungstemperatur 20°C +/- 2°C, keine Belastung, gemessen in der Mitte des Geräts.

<sup>2</sup>Bei 37°C, Umgebungstemperatur 20°C +/- 2°C, keine Belastung, gemessen im Bereich der Schüttelmaschine in der Mitte des Geräts.

<sup>3</sup>Umgebungstemperatur 20°C +/- 2°C.



This product meets the applicable CE Directives and UKCA Legislation for radio frequency interference and may be expected not to interfere with, or be affected by, other equipment with similar qualifications. We cannot be sure that other equipment used in its vicinity will meet these standards and so we cannot guarantee

that interference will not occur in practise. Where there is a possibility that injury, damage or loss might occur if equipment malfunctions due to radio frequency interference, or for general advise before use, contact the manufacturer.

Declaration of Conformity is available to view online at [www.stuart-equipment.com](http://www.stuart-equipment.com)

**EU Representative address**

Antylia Scientific GmbH  
Futtererstraße 16  
97877 Wertheim  
Deutschland  
Tel: +49 9377 9203-0  
Email: [sales@coleparmer.de](mailto:sales@coleparmer.de)

**UK Representative address**

Antylia Scientific  
9 Orion Court  
Ambuscade Road  
Colmworth Business Park  
St. Neots  
PE19 8YX  
United Kingdom  
Tel: +44 (0) 1480 277339  
Email: [enquiries@antylia.com](mailto:enquiries@antylia.com)



# Ordering Information

Order No.	Series	Model	Legacy SKU
79520-00	SI-200	SI-200D-120	SI500/120/60
79520-04	SI-200	SI-200D	SI500
79520-06	SI-200	SI-200D	SI500/IQOQ
79520-14	SI-200	SI-200D-L-120	SI600/120V/60
79520-16	SI-200	SI-200D-L	SI600
72520-18	SI-200	SI-200D-L	SI600/IQOQ
79520-22	SI-200	SIC-200D-C	SI600C
79520-24	SI-200	SIC-200D-C	SI600C/IQOQ

## Warranty Registration



### UK

T: +44 (0) 1480 272279  
E: uk.sales@antylia.com  
W: coleparmer.co.uk

### India

T: +9122 61394444  
E: info@coleparmer.in  
W: coleparmer.in

### Germany

T: +49 (0) 9377 92030  
E: de.sales@antylia.com  
W: coleparmer.de

### China

T: +1 847 549 7600  
E: sales@antylia.com  
W: coleparmer.com

### France

T: +33 (0) 1486 37800  
E: fr.sales@antylia.com  
W: coleparmer.fr

### USA

T: +1 847 549 7600  
E: sales@antylia.com  
W: coleparmer.com

### Italy

T: +39 (0) 284349215  
E: it.sales@antylia.com  
W: coleparmer.it

### Canada

T: +514 355 6100  
E: info@antylia.ca  
W: coleparmer.ca

### Other

T: +1 847 549 7600

**Cole-Parmer**<sup>®</sup>  
essentials

**Antylia Scientific Ltd.**

Beacon Road,  
Stone,  
Staffordshire,  
ST15 0SA,  
United Kingdom

