



OrbiCult™ Ambient Shaker
Model AS1-NC-19



OrbiCult™ Incubator Benchtop Shaker
Model IBS-R-19-1

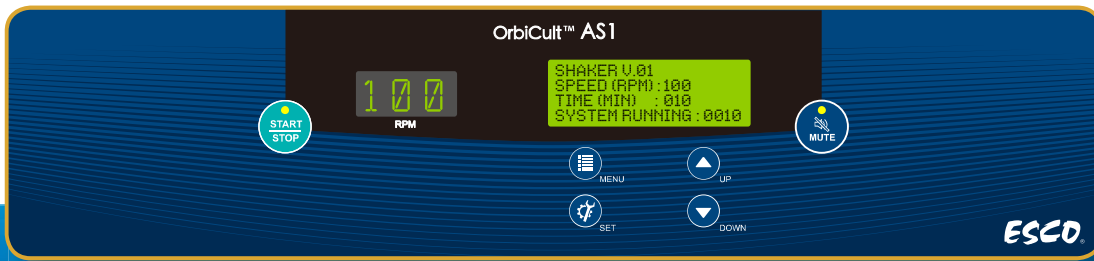
OrbiCult™ Shakers

Exceptional Choice for Versatile and Reliable Shaking Application



ESCO

WORLD CLASS. WORLDWIDE.



Alarm System

- Produce 5 audible alarm on each
- Speed deviation alarm
- Audible alarm can be turned on
- will still remain activated even th
- LED will light up red during the a

Digital LED

- Displays all information simultaneously on the screen
- Easy-to-use design enable to set precise parameter
- Audible and visible alarm, alert any undesirable situation
- Automatically restart after power interruption for the non-volatile program saved in the memory

SmartRun™: Imbalance Compensation Algorithm

- Excellent out-of-balance sensor and propriety imbalance compensation algorithm adjust the optimum rpm to ensure smooth operation without any vibration
- PID (Proportional-Integral-Derivative) Microprocessor for speed control system



TriDrive™: Triple-Eccentric Counterbalanced Drive System

- Robust triple eccentric counterbalanced drive supports long service life
- Two types of orbit (19 mm and 25 mm) that meet different applications
- Brushless DC motor provides consistent and no vibration rotation
- Wide Speed Range: 15 - 575 rpm
- Low noise and low heat emission
- Installed with acceleration / deceleration circuit, to prevent spillage



Connecting Alarm Contacts

- Located at the back of the unit to monitor speed, shaker imbalance and power recovery alarms



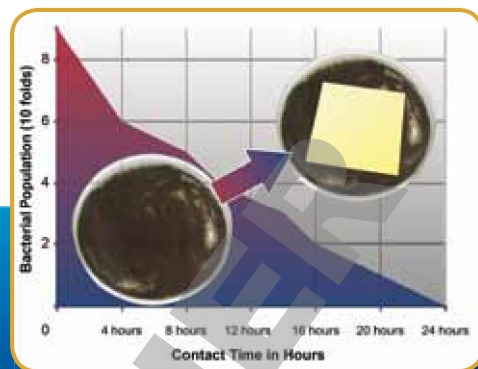
OrbiCult™ Ambient Shaker
Model AS1-NC-19

end-run

or off, however the visual alarm
the audible alarm is off
alarm

ISOCIDE™ Powder Coat

- Easy to clean external surface coated with Isocide™ to eliminate 99.9% of surface bacteria within 24 hours of exposure



Large Capacity with Slim Structure

- Maximum capacity of 30 Kg



CO₂ Resistant Model

- Designed with material resistant components that adapt in CO₂ and humid environment that assure AS-1-CO₂ resistance model to have long-term worry-free operation
- Suitable for cell incubation application. AS-1-C series fit in Esco 170 L and 240 L CelCulture® and CelMate® series CO₂ incubator



Leveling Feet

- Built-in leveling feet that can be adjusted to level the unit



Multiple Interchangeable Platform

- Customizable to accommodate different applications
- Three interchangeable platform sizes are available to minimize footprint
- Has two types of Platform: Universal Platform and Dedicated Platform

Common Application List of OrbiCult™ Shaker

Cell Culture	Bacterial Suspension
Solubility	Growth of Bacteria and Yeast
Extraction Procedures	Washing Procedures
Diagnostics Tests	Hybridization
General Mixing	Staining and Destaining



SmartRun™: Imbalance Compensation Algorithm

- Excellent out-of-balance sensor that adjusts the optimum rpm to ensure smooth operation without any vibration

SmarTouch™: Large 5.7' intuitive touchscreen displays every parameter and status of your shaker at glance

- Easy-to-use design enable to set parameter precisely
- Historical setting can easily track and review from the touchscreen

Alarm System

- Produce 5 audible alarm on each end-run
- Speed deviation alarm
- High and low temperature alarm from the set point
- Unbalanced load on shaker platform
- Audible alarm can be turned on or off, however the visual alarm will still remain activated even when the audible alarm is off



Transparent Acrylic Hood

- Durable and only half as heavy as glass
- Clear cover allows easy viewing of samples
- Door sensor pauses the driver rotation when the chamber door is open



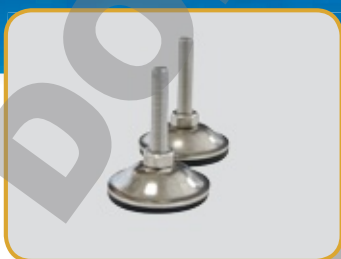
TriDrive™: Triple-Eccentric Counterbalanced Drive System

- Robust triple eccentric counterbalanced drive supports long service life
- Two types of orbit (19 mm and 25 mm) that meet different applications
- Brushless DC motor provides consistent and no vibration rotation
- Wide Speed Range: 15 - 575 rpm
- Low noise and low heat emission
- Installed with acceleration / deceleration circuit, to prevent spillage



Large Capacity with Slim Structure

- Maximum capacity of 30 Kg



Leveling Feet

- Built-in leveling feet that can be adjusted to level the unit



OrbiCult™ Incubator Benchtop Shaker Model IBS-R-19-1

Precise and Wide Temperature Range

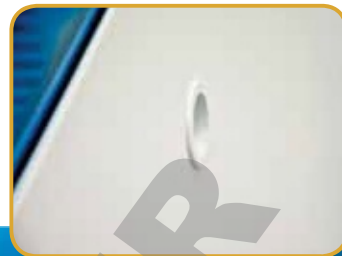
- Refrigerated: 15°C below ambient to 80°C
 - Non-refrigerated: 5°C above ambient to 80°C
- Built with forced convection ventilation to ensure accurate temperature avoiding possible deviations during the operation

- Environment-friendly design
- World-class compressor with low energy consumption
- Temperature sensor stops the heater or compressor in any exceeded temperature



Access Port

- Ergonomic design that gives easy access for temperature validation and mapping



Ethernet Port

- Port provided for connection to an external PC



Environment-Friendly Refrigeration System

- Uses CFC-free refrigerant, good for the environment



USB Port

- Easy access to transport data log and alarm log to an external hard disk



Gas Manifold Port

- Add versatility for aerobic and anaerobic cultivation



Connecting Alarm Contacts

- Located at the back of the unit to monitor speed, shaker imbalance and power recovery alarms



Multiple Interchangeable Platform

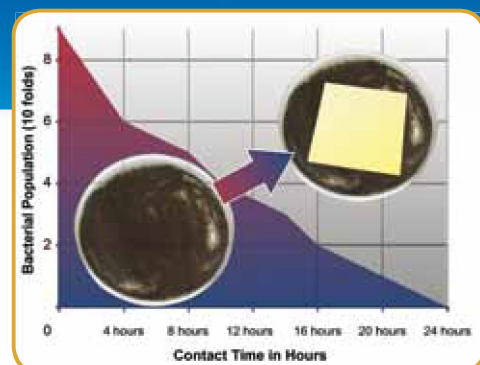
- Customizable to accommodate different applications
- Suitable platform is available to maximize the area inside the chamber
- Has two types of Platform: Universal Platform and Dedicated Platform

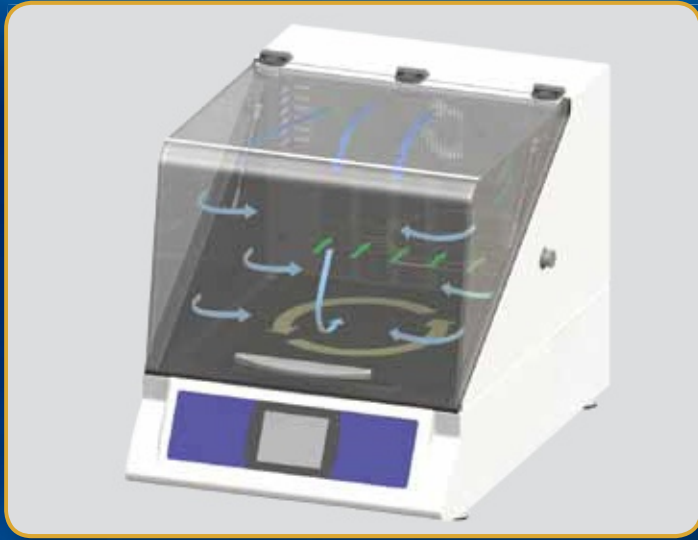
ISOCIDE™ Powder Coat

- Easy-to-clean external surface coated with Isocide™ to eliminate 99.9% of surface bacteria within 24 hours of exposure

Common Application List of OrbiCult™ Incubator Benchtop Shaker

Cell Culture	Bacterial Suspension
Solubility	Growth of Bacteria and Yeast
Extraction Procedures	Washing Procedures
Diagnostics Tests	Hybridization
General Mixing	Staining and Destaining





- Discharge Air
- Circulating Air
- Suction Air
- Motor Drive Rotation

Airflow Circulation

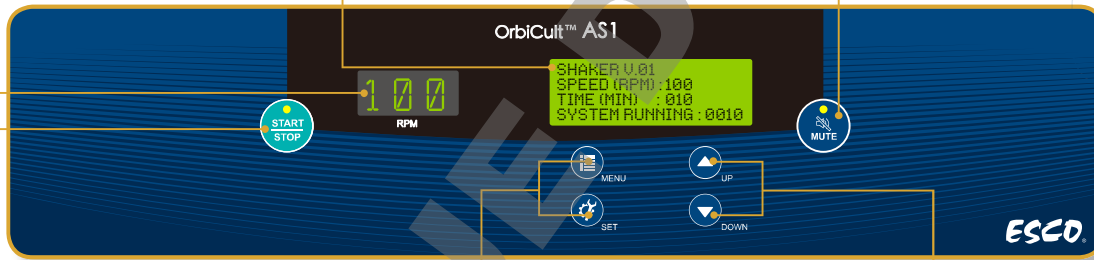
- Two circulating fans located on top of the perforated panel, disperse and distribute the air inside the chamber
- Perforation located below the circulating fan absorbs the air to recirculate the air inside the chamber
- Platform performs counterclockwise rotation based on the motor drive motion
- Air temperature changes during suction process
 - For refrigerated unit, evaporator located behind the perforated panel will cool down the air
 - For non-refrigerated unit, heater located below the circulating fan will heat up the air

6

Displays the status of speed at which the shaker is currently rotating

A graphical interface indicates shaker performance through an alphanumeric display. It presents the status of rpm, time and system running that are activated by programming access through the membrane buttons

Deactivates the set alarm during the end of a timed run and deviations on speed and temperature setpoint



The Shaker LED light displays green to indicate that the shaker is operational accessible

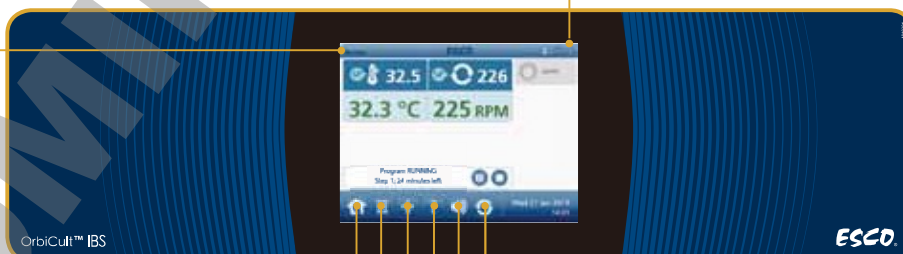
These keypad buttons control the settings and program system running as required for the application. Gives access to default settings and classified menus

Allows navigation and set up the desired program with accuracy and precision

An advanced and intuitive touchscreen that provides clear and accurate conditions of the operation to keep track the performance of each features and functions set on the program

Status Indicator:

Displays the basic yet important parameters and factors of a program. It shows careful conditions of the program for an accessible observation of the operation (i.e. lid closure, running program, temperature)



Home Button:

Provides major icons for easy navigation on important functions

Menu Button:

Access specific features for setting desired program

Diagnostic Screen:

Provides readout of current system parameters, date and stamp of all historical alarm, and graph datalog

Help Button:

Explains the icons displayed on the screen interface

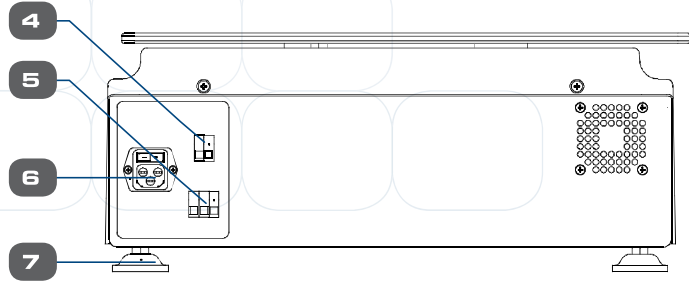
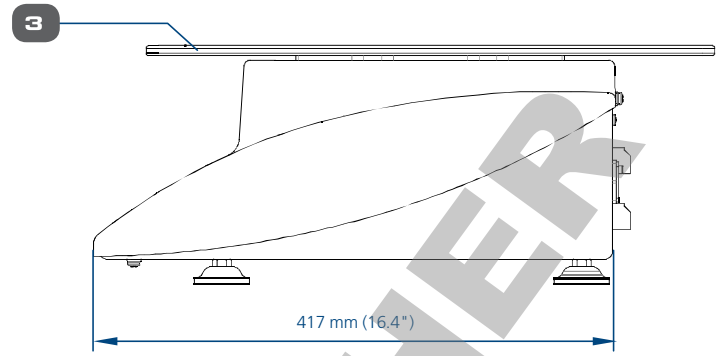
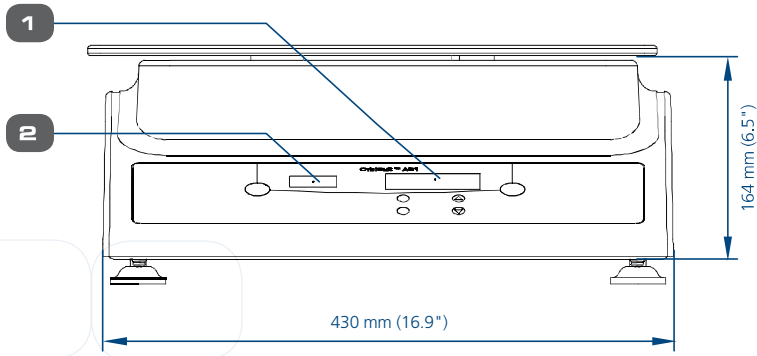
Alarm Button:

An option to the alarm function to make it audible or mute

Shaker Platform Button:

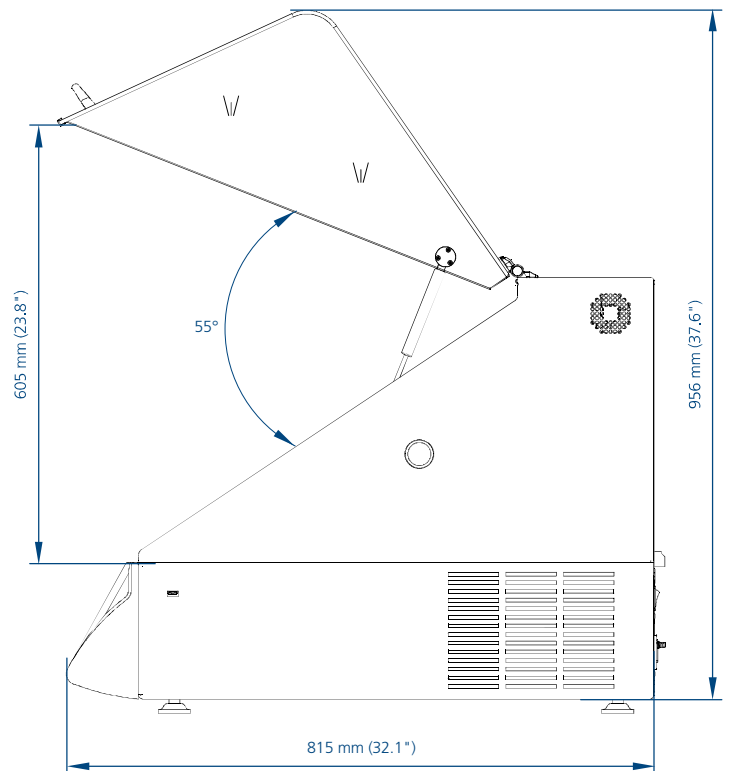
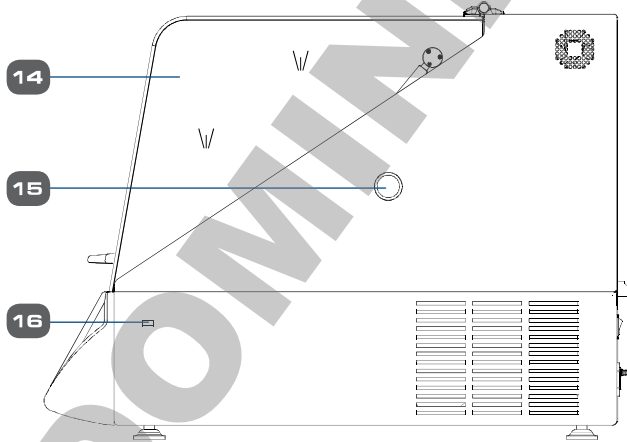
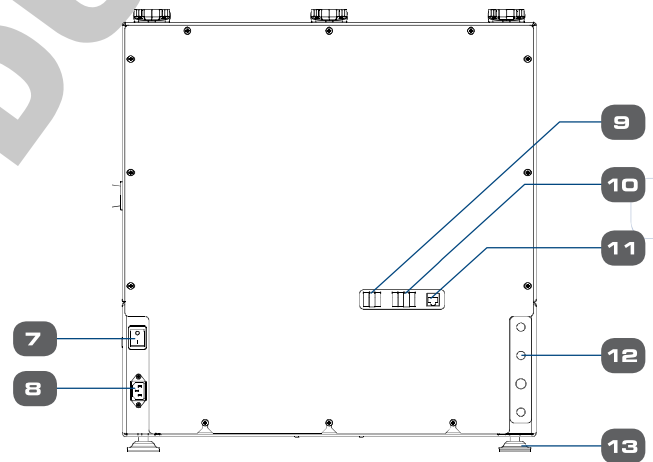
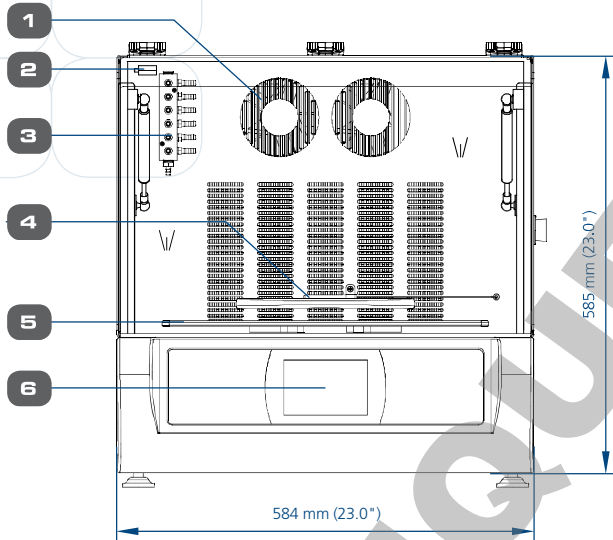
Access to start / stop the platform

OrbiCult™ Ambient Shaker Model AS1-C-19



- 1. Control Display
- 2. rpm Display
- 3. Platform (Interchangeable)
- 4. Analog Output
- 5. Alarm Contact
- 6. Power Plug
- 7. Leveling Feet

OrbiCult™ Incubator Benchtop Shaker Model IBS-R-19-1



- 1. Circulation Fan
- 2. Door Switch
- 3. Gas Manifold
- 4. Temperature Sensor
- 5. Platform
- 6. Touchscreen Control
- 7. On / Off Switch
- 8. Power Plug
- 9. Alarm Contact
- 10. Analog Output
- 11. Ethernet Port
- 12. Gas Inlet Filling
- 13. Leveling Feet
- 14. Transparent Acrylic Hood
- 15. Access Port
- 16. USB Port

TECHNICAL SPECIFICATION											
Model	AS1-C-19 2200002	AS1-C-25 2200004	AS1-NC-19 2200001	AS1-NC-25 2200003	IBS-NR-19-8 2200009	IBS-NR-25-8 2200011	IBS-NR-19-9 2200010	IBS-NR-25-9 2200012	IBS-NR-19-9 2200010	IBS-NR-25-9 2200012	
Electrical Supply	100 - 240 VAC, 50 / 60 Hz				230 VAC, 50 / 60 Hz		115 VAC, 50 / 60 Hz				
Orbit Size	19 mm (0.7")	25 mm (1.0")	19 mm (0.7")	25 mm (1.0")	19 mm (0.7")	25 mm (1.0")	19 mm (0.7")	25 mm (1.0")	19 mm (0.7")	25 mm (1.0")	
Speed Range	15 - 575 rpm										
rpm Accuracy	+ / - 1										
Display	Digital LED and 4 line LCD message center										
Timer	9999 minutes										
Maximum Load	30 Kg (66.1 lbs)	25 Kg (55.1 lbs)	30 Kg (66.1 lbs)	25 Kg (55.1 lbs)	30 Kg (66.1 lbs)	25 Kg (55.1 lbs)	30 Kg (66.1 lbs)	25 Kg (55.1 lbs)	30 Kg (66.1 lbs)	25 Kg (55.1 lbs)	
External Dimension (W x D x H)	430 x 417 x 164 mm (16.9" x 16.4" x 6.5")						584 x 815 x 164 mm (23.0" x 32.1" x 6.5")				
Net Weight	27 Kg (59.5 lbs)		23 Kg (50.7 lbs)		70 Kg (154.3 lbs)						
CO₂ Resistant	Yes		No								
External Cover Material	UL 94 Flammability Standard, V-0 requirement made of ABS Plastic										
Cabinet Construction	Base	3.0 mm (0.1") 18 gauge EG Steel with Isocide™ Anti-microbial									
	Main					2.0 mm (0.08") 18 gauge EG Steel					
	Workplace					2.0 mm (0.08") 18 gauge EG Steel					
Temperature Range					5 °C (above ambient) - 80°C						
Temperature Accuracy											
Shipping Weight	27 Kg (59.5 lbs)				90 Kg (198.4 lbs)						
Shipping Dimension (W x D x H)	650 x 660 x 450 mm (25.6" x 26.0" x 17.7")				720 x 1120 x 450 mm (28.3" x 44.1" x 17.7")						
Shipping Volume, Maximum	0.2 m ³ (7.1 ft ³)										

Ordering Information										
Accessories	Item Code	Item Name	Description	25 mL Flask	50 mL Flask	125 mL Flask	250 mL Flask	300 mL Flask	500 mL Flask	
Platform List (Universal)	5270016	Small Universal	330 x 330 mm (13.0" x 13.0")	36	36	13	9	9	9	
	5270017	Medium Universal	457 x 457 mm (18.0" x 18.0")	64	64	32	16	16	16	
	5270018	Large Universal	457 x 610 mm (18.0" x 24.0")		70	35	20	20	20	

Note: Universal Platform Medium for IBS only allows until 2.8L flask.

IBS-R-19-1 2200005	IBS-R-25-1 2200007	IBS-R-19-2 2200006	IBS-R-25-2 2200008	IBS-R-19-3 2200015	IBS-R-25-3 2200016
230 VAC, 50 Hz		115 VAC, 60 Hz		230 VAC, 60 Hz	
19 mm (0.7")	25 mm (1.0")	19 mm (0.7")	25 mm (1.0")	19 mm (0.7")	25 mm (1.0")
Colored Touchscreen					
99 hrs and 59 minutes					
30 Kg (66.1 lbs)	25 Kg (55.1 lbs)	30 Kg (66.1 lbs)	25 Kg (55.1 lbs)	30 Kg (66.1 lbs)	25 Kg (55.1 lbs)
585 mm (23.0" x 32.1" x 23.0")					
80 Kg (176.4 lbs)					
Powder Coating					
Steel with Isocide™ Anti-microbial Powder Coating					
Steel with Isocide™ Anti-microbial Powder Coating					
15°C (below ambient) - 80°C					
+/- 0.1					
100 Kg (220.5 lbs)					
860 mm (28.3" x 44.1" x 33.9")					
0.7 m³ (24.7 ft³)					

1 L Flask	2 L Flask	2.8 L Flask	3 L Flask	4 L Flask	5 L Flask	6 L Flask
4	4	1	1	1	1	1
8	5	4	4	4	4	2
12	8	5	5	5	4	3



Universal Platform

Have standard holes pattern that can fit any flask clamps and test tube rack. All multiple flask clamps and labware holders are shipped separately and installed by the end user.



Dedicated Platform

Platforms have a customized pattern to optimize the number of a particular size of flask clamp on a platform. Dedicated platforms are pre-installed with the flask clamps.



Flask Clamps

Single-piece stainless steel clamps that provide enough strength and security to hold flasks.



Test Tube Rack

Stainless steel rack that stabilizes and holds the test tubes.



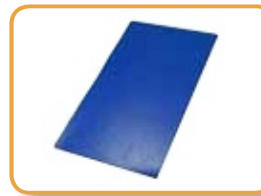
Microplate Holder

Double layer racks that hold up to six standard deep well plates.



Utility Carrier

Made of stainless steel that holds different glassware in between of adjustable stainless steel bars.



Sticky Mats

Allows the user to place the flask directly on the mat without the use of a clamp. Sticky mats are very convenient if the user desires to rotate at less than 350 rpm. This can be ordered separately and attach on Universal Platform.



Gas Manifold

Contain 12 gas port that adds versatility for aerobic and anaerobic cell cultivation.

Accessories

Model Code	Item Code	AS1-C-19	AS1-C-25	AS1-NC-19	AS1-NC-25	Flask Clamp Quantity
PU-S	5270016	Platform, Universal , Small - 330 X 330 mm (13.0" X 13.0")				
PU-M	5270017	Platform, Universal , Medium - 457 x 457 mm (18.0 "x 18.0")				
PU-L	5270018	Platform, Universal , Large - 457 x 610 mm (18,0" x 24.0")				
PD-S-25	5270019	Platform, Dedicated, Small, for 25 ml Flask, 330 x 330 mm (13.0" x 13.0")				36
PD-S-50	5270020	Platform, Dedicated, Small, for 50 ml Flask 330 x 330 mm (13.0" x 13.0")				36
PD-S-125	5270021	Platform, Dedicated, Small, for 125 ml Flask 330 x 330 mm (13.0" x 13.0")				16
PD-S-250	5270022	Platform, Dedicated, Small, for 250 ml Flask 330 x 330 mm (13.0" x 13.0")				10
PD-S-300	5270023	Platform, Dedicated, Small, for 300 ml Flask 330 x 330 mm (13.0" x 13.0")				10
PD-S-500	5270024	Platform, Dedicated, Small, for 500 ml Flask 330 x 330 mm (13.0" x 13.0")				9
PD-S-1L	5270025	Platform, Dedicated, Small, for 1 L Flask 330 x 330 mm (13.0" x 13.0")				5
PD-S-2L	5270026	Platform, Dedicated, Small, for 2 L Flask 330 x 330 mm (13.0" x 13.0")				4
PD-S-2.8L	5270027	Platform, Dedicated, Small, for 2.8 L Flask 330 x 330 mm (13.0" x 13.0")				1
PD-S-3L	5270028	Platform, Dedicated, Small, for 3 L Flask 330 x 330 mm (13.0" x 13.0")				1
PD-S-4L	5270029	Platform, Dedicated, Small, for 4 L Flask 330 x 330 mm (13.0" x 13.0")				1
PD-S-5L	5270030	Platform, Dedicated, Small, for 5 L Flask 330 x 330 mm (13.0" x 13.0")				1
PD-S-6L	5270031	Platform, Dedicated, Small, for 6L Flask 330 x 330 mm (13.0" x 13.0")				1
PD-M-25	5270032	Platform, Dedicated, Medium, for 25 ml Flask 457 x 457 mm (18.0" x 18.0")				64
PD-M-50	5270033	Platform, Dedicated, Medium, for 50 ml Flask 457 x 457 mm (18.0" x 18.0")				64
PD-M-125	5270034	Platform, Dedicated, Medium, for 125 ml Flask 457 x 457 mm (18.0" x 18.0")				36
PD-M-250	5270035	Platform, Dedicated, Medium, for 250 ml Flask 457 x 457 mm (18.0" x 18.0")				16
PD-M-300	5270036	Platform, Dedicated, Medium, for 300 ml Flask 457 x 457 mm (18.0" x 18.0")				16
PD-M-500	5270037	Platform, Dedicated, Medium, for 500 ml Flask 457 x 457 mm (18.0" x 18.0")				16
PD-M-1L	5270038	Platform, Dedicated, Medium, for 1 L Flask 457 x 457 mm (18.0" x 18.0")				9
PD-M-2L	5270039	Platform, Dedicated, Medium, for 2 L Flask 457 x 457 mm (18.0" x 18.0")				5
PD-M-2.8L	5270040	Platform, Dedicated, Medium, for 2.8 L Flask 457 x 457 mm (18.0" x 18.0")				4
PD-M-3L	5270041	Platform, Dedicated, Medium, for 3 L Flask 457 x 457 mm (18.0" x 18.0")				4
PD-M-4L	5270042	Platform, Dedicated, Medium, for 4 L Flask 457 x 457 mm (18.0" x 18.0")				4
PD-M-5L	5270043	Platform, Dedicated, Medium, for 5 L Flask 457 x 457 mm (18.0" x 18.0")				4
PD-M-6L	5270044	Platform, Dedicated, Medium, for 6 L Flask 457 x 457 mm (18.0" x 18.0")				2
PD-L-50	5270046	Platform, Dedicated, Large, for 50 ml Flask 457 x 610 mm (18.0" x 24.0")				80
PD-L-125	5270047	Platform, Dedicated, Large, for 125 ml Flask 457 x 610 mm (18.0" x 24.0")				48
PD-L-250	5270048	Platform, Dedicated, Large, for 250 ml Flask 457 x 610 mm (18.0" x 24.0")				35
PD-L-300	5270049	Platform, Dedicated, Large, for 300 ml Flask 457 x 610 mm (18.0" x 24.0")				35
PD-L-500	5270050	Platform, Dedicated, Large, for 500 ml Flask 457 x 610 mm (18.0" x 24.0")				20
PD-L-1L	5270051	Platform, Dedicated, Large, for 1 L Flask 457 x 610 mm (18.0" x 24.0")				12
PD-L-2L	5270052	Platform, Dedicated, Large, for 2 L Flask 457 x 610 mm (18.0" x 24.0")				6
PD-L-2.8L	5270053	Platform, Dedicated, Large, for 2.8 L Flask 457 x 610 mm (18.0" x 24.0")				5
PD-L-3L	5270054	Platform, Dedicated, Large, for 3 L Flask 457 x 610 mm (18.0" x 24.0")				5
PD-L-4L	5270055	Platform, Dedicated, Large, for 4 L Flask 457 x 610 mm (18.0" x 24.0")				5
PD-L-5L	5270056	Platform, Dedicated, Large, for 5 L Flask 457 x 610 mm (18.0" x 24.0")				4
PD-L-6L	5270057	Platform, Dedicated, Large, for 6 L Flask 457 x 610 mm (18.0" x 24.0")				4

Accessories

Model Code	Item Code	AS1-C-19	AS1-NC-19	AS1-NC-25
TR-S-1	5270072			Test T
TR-S-2	5270073			Test T
TR-S-3	5270074			Test T
TR-S-4	5270075			Test T
TR-S-5	5270076			Test T
TR-S-6	5270077			Test T
TR-M-1	5270078			Test T
TR-M-2	5270079			Test T
TR-M-3	5270080			Test T
TR-M-4	5270081			Test T
TR-M-5	5270082			Test T
TR-M-6	5270083			Test T
TR-L-1	5270002			Test T
TR-L-2	5270003			Test T
TR-L-3	5270004			Test T
TR-L-4	5270005			Test T
TR-L-5	5270006			Test T
TR-L-6	5270007			Test T

Options and Accessories

Model Code	Item Code	AS1-C-19	AS1-NC-19	AS1-NC-25
FC-25	5270059			
FC-50	5270060			
FC-125	5270061			
FC-250	5270062			
FC-300	5270063			
FC-500	5270064			
FC-1L	5270065			
FC-2L	5270066			
FC-2.8L	5270067			
FC-3L	5270068			
FC-4L	5270069			
FC-5L	5270070			
FC-6L	5270071			
MH-L	5270008			
MH-M	5270009			
MH-S	5270010			
UC-S	5270011			Utility
UC-M	5270012			Utility
AMP	5270014			Ac

Accessories			
AS1-C-25	AS1-NC-19	AS1-NC-25	Tubes per Rack
Tube Rack Small 8-11 mm			40
Tube Rack Small 12-15 mm			21
Tube Rack Small 16-19 mm			10
Tube Rack Small 20-22 mm			10
Tube Rack Small 23-26 mm			5
Tube Rack Small 27-33 mm			5
Tube Rack Medium 8-11 mm			64
Tube Rack Medium 12-15 mm			33
Tube Rack Medium 16-19 mm			18
Tube Rack Medium 20-22 mm			16
Tube Rack Medium 23-26 mm			8
Tube Rack Medium 27-33 mm			8
Tube Rack Large 8-11 mm			88
Tube Rack Large 12-15 mm			48
Tube Rack Large 16-19 mm			24
Tube Rack Large 20-22 mm			22
Tube Rack Large 23-26 mm			11
Tube Rack Large 27-33 mm			11

Accessories		
AS1-C-25	AS1-NC-19	AS1-NC-25
Flask Clamp 25 ml		
Flask Clamp 50 ml		
Flask Clamp 125 ml		
Flask Clamp 250 ml		
Flask Clamp 300 ml		
Flask Clamp 500 ml		
Flask Clamp 1 L		
Flask Clamp 2 L		
Flask Clamp 2.8 L		
Flask Clamp 3 L		
Flask Clamp 4 L		
Flask Clamp 5 L		
Flask Clamp 6 L		
Microplate holder - Large		
Microplate holder - Medium		
Microplate holder - Small		
Carrier, P1 - 330 x 300 mm (13.0" x 12.0")		
Carrier, P3 - 460 x 430 mm (18.0" x 17.0")		
Adhesive Mat Platform (200 x 200 x 3 mm)		

Accessories						
Model Code	Item Code	IBS-NR-19	IBS-NR-25	IBS-R19	IBS-R-25	Flask Clamp Quantity
PU-M	5270017	Platform, Universal, Medium - 457 x 457 mm (18.0" x 18.0")				
PD-M-25	5270032	Platform, Dedicated, Medium, for 25 ml Flask 457 x 457 mm (18.0" x 18.0")				64
PD-M-50	5270033	Platform, Dedicated, Medium, for 50 ml Flask 457 x 457 mm (18.0" x 18.0")				64
PD-M-125	5270034	Platform, Dedicated, Medium, for 125 ml Flask 457 x 457 mm (18.0" x 18.0")				36
PD-M-250	5270035	Platform, Dedicated, Medium, for 250 ml Flask 457 x 457 mm (18.0" x 18.0")				16
PD-M-300	5270036	Platform, Dedicated, Medium, for 300 ml Flask 457 x 457 mm (18.0" x 18.0")				16
PD-M-500	5270037	Platform, Dedicated, Medium, for 500 ml Flask 457 x 457 mm (18.0" x 18.0")				16
PD-M-1L	5270038	Platform, Dedicated, Medium, for 1 L Flask 457 x 457 mm (18.0" x 18.0")				9
PD-M-2L	5270039	Platform, Dedicated, Medium, for 2 L Flask 457 x 457 mm (18.0" x 18.0")				5
PD-M-2.8L	5270040	Platform, Dedicated, Medium, for 2.8 L Flask 457 x 457 mm (18.0" x 18.0")				4

Options and Accessories						
Model Code	Item Code	IBS-NR-19	IBS-NR-25	IBS-R19	IBS-R-25	Tubes per Rack
TR-S-1	5270072	Test Tube Rack Small 8-11 mm				40
TR-S-2	5270073	Test Tube Rack Small 12-15 mm				21
TR-S-3	5270074	Test Tube Rack Small 16-19 mm				10
TR-S-4	5270075	Test Tube Rack Small 20-22 mm				10
TR-S-5	5270076	Test Tube Rack Small 23-26 mm				5
TR-S-6	5270077	Test Tube Rack Small 27-33 mm				5
TR-M-1	5270078	Test Tube Rack Medium 8-11 mm				64
TR-M-2	5270079	Test Tube Rack Medium 12-15 mm				33
TR-M-3	5270080	Test Tube Rack Medium 16-19 mm				18
TR-M-4	5270081	Test Tube Rack Medium 20-22 mm				16
TR-M-5	5270082	Test Tube Rack Medium 23-26 mm				8
TR-M-6	5270083	Test Tube Rack Medium 27-33 mm				8
TR-L-1	5270002	Test Tube Rack Large 8-11 mm				88
TR-L-2	5270003	Test Tube Rack Large 12-15 mm				48
TR-L-3	5270004	Test Tube Rack Large 16-19 mm				24
TR-L-4	5270005	Test Tube Rack Large 20-22 mm				22
TR-L-5	5270006	Test Tube Rack Large 23-26 mm				11
TR-L-6	5270007	Test Tube Rack Large 27-33 mm				11

