

Data sheet

BOD Incubator ST BD 2



The photo above is for reference only, may show additional options not included in standard equipment.
The real appearance, particularly color and structure of the material may differ from the ones presented in the photo.

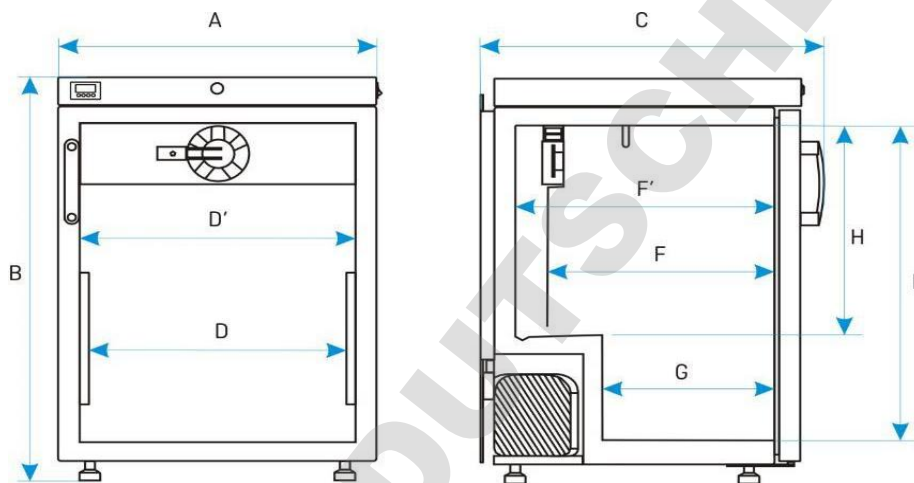
TECHNICAL DATA	
air convection	forced
chamber capacity [l]	150
working capacity [l]	122
controller	microprocessor with external LCD graphic display
TEMPERATURE	
temperature range [°C]	+3...+40
temperature resolution every ... [°C]	0,1
over temperature protection	class 1.0 to DIN 12880
CHAMBER	
door type	solid
interior	aluminium
housing	powder coated sheet

overall dims [mm] /2/

width A	620
height B	860
depth C	650

internal dims [mm] /3/

width D	480
width D'	520
height E	660
depth F	420
depth F'	480
depth G	320
height H	440
height I	-



shelves (standard / max)	2
max shelf workload [kg] /4/	10
- reinforced shelf version (PW) /5/	-
max unit workload [kg]	30
- reinforced unit version (W) /6/	-
weight [kg] /7/	54

ELECTRICAL PARAMETERS

voltage*	230V 50Hz
nominal power [W]	170
warranty	24 months
manufacturer	POL-EKO-APARATURA

all the above technical data refer to standard units (without optional accessories)

* - 230V 60Hz, 115V 60Hz also available

- 1 - additional internal glass door
- 2 - ST/CHL 1-6 in TOP+ version are 60 mm higher, depth doesn't include 50 mm of power cable
- 3 - dims of units with double door can be smaller
- 4 - on uniformly loaded surface
- 5 - reinforced shelf
- 6 - reinforced version
- 7 - for BASIC version with solid door
- 8 - two columns with 3 shelves each

OPTIONS AND ACCESSORIES

