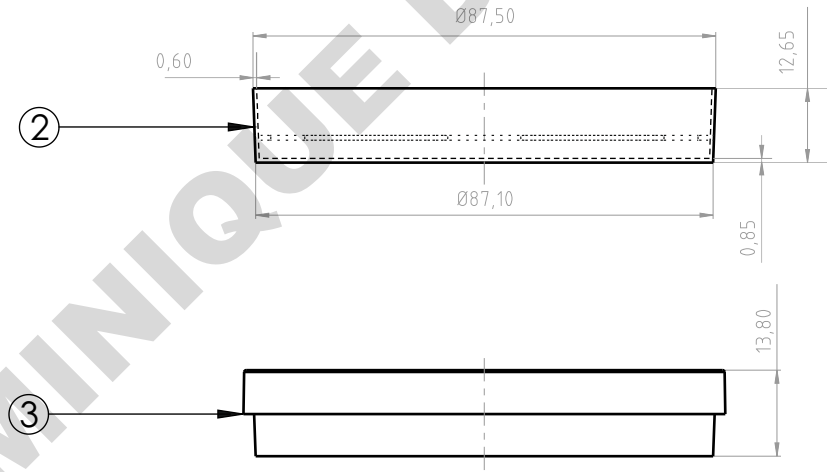
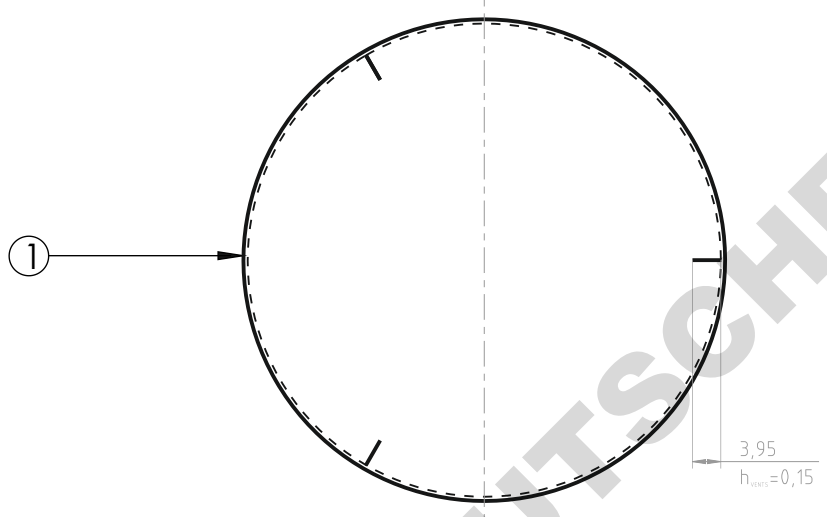
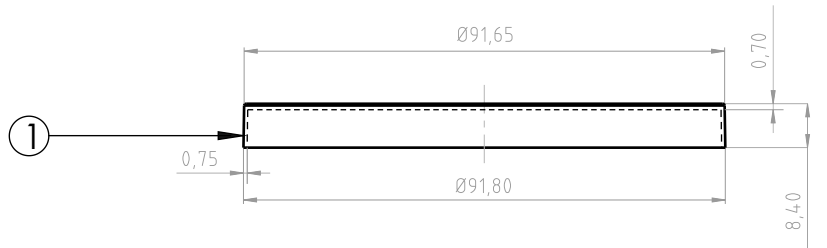


4			3		2		1
Dimension [mm]	0 to 6	>6 to 18	>18 to 30	>30 to 50	>50 to 80	>80 to 120	
Tolerance [mm]	+/- 0,15	+/- 0,20	+/- 0,25	+/- 0,28	+/- 0,32	+/- 0,37	

F	Weight [g]	0 to 3	>3 to 8
	Tolerance [g]	+/- 0,15	+/- 0,25



No.	Description	Weight
1	Petri Dish - TOP	6,17 [g]
2	Petri Dish - BOTTOM	6,85 [g]
3	Petri Dish - SET	13,02 [g]



	NAME	DATE:	SYSTEM
DRAWN:	mgr. inz. M. Pietrzak		
CHECK:			DRAWING NAME
APPROVED:			Petri Plate BP903 with vents
MATERIAL:	Polistyren NU		DRAWING NO
	WEIGHT: 13,02 [g]		BP903
MATERIAL COLOR: TRANSPARENT	SCALE: 1:1.5	SHEET 1/1	SIZE
			A4

