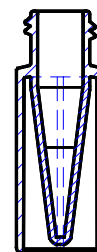
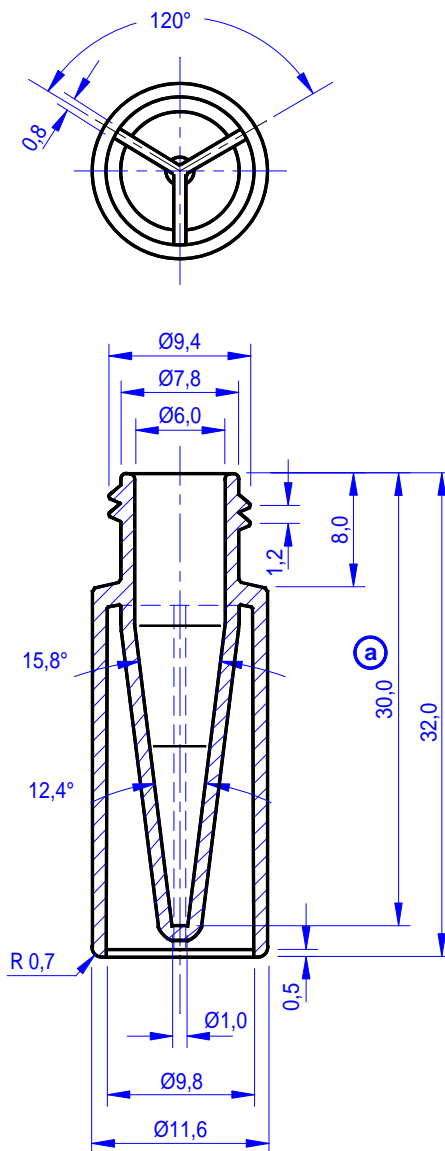




Technical data sheet

LLG-Screw Neck Vials N 9

Art.-Nr.: 4.008 262



M 1 : 1

Geprüft/Checked:
Datum/Date: 14.08.2006

Maßangaben in/all dimensions mm
Maße ohne Toleranzangabe DIN ISO 2768-1 m / DIN 7715-1, -5
Unlimited dimensions DIN ISO 2768-1 m / DIN 7715-1, -5

Maßstab/Scale:
2 : 1 / 1 : 1

This document was sent online and is valid without signature