

**BIOFIL®**

Document Number

Revision

Page

Document Number

CFT013

A1

1 of 1

08-16-2019

PRODUCT DATA SHEET**Micro Centrifuge Tubes****Micro Centrifuge Tubes****Description:** Micro Centrifuge Tubes with caps, Conical-Bottom, Sterile/Non-Sterile**Purpose:** Used for sample storage, operation and centrifugation**Materials**

Tube: PP (Polypropylene)

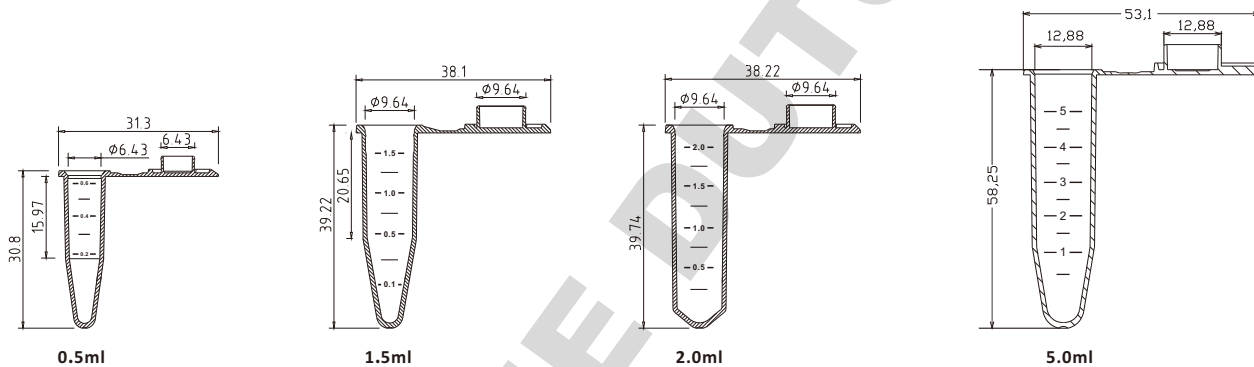
Features

- Available with 4 volumes of 0.5ml, 1.5ml, 2.0ml and 5.0ml
- Autoclavable at 121°C and freezable to -80°C
- Engraved graduation ensure accuracy
- Flat and frost caps surface together with smooth and frosted body surface
- Maximum rotate speed up to 25,000xg
- DNase/RNase-free and Non-pyrogenic
- Sterilized by gamma irradiation SAL10⁻⁶ (ISO11137)
- Shelf life: 3 years after month of production
- Manufactured in a Class 100,000 cleanroom environment
- Manufactured under ISO13485 and ISO9001 quality management system



STERILE | R

Dimensions (Unit: mm)

**Micro Centrifuge Tubes**

Cat. No.	Capacity(ml)	Tube Color	Tube Shape	Sterile	Packaging Configuration
CFT000005	0.5	Natural	Conical-Bottom	N	1000/Bag/Box, 8000/CS
CFT001005	0.5	Natural	Conical-Bottom	Y	1000/Bag/Box, 8000/CS
CFT000015	1.5	Natural	Conical-Bottom	N	500/Bag/Box, 4000/CS
CFT001015	1.5	Natural	Conical-Bottom	Y	500/Bag/Box, 4000/CS
CFT000020	2.0	Natural	Conical-Bottom	N	500/Bag/Box, 4000/CS
CFT001020	2.0	Natural	Conical-Bottom	Y	500/Bag/Box, 4000/CS
CFT000050	5.0	Natural	Conical-Bottom	N	180/Bag/Box, 1800/CS
CFT001050	5.0	Natural	Conical-Bottom	Y	180/Bag/Box, 1800/CS
CFT022050	5.0	Natural	Conical-Bottom	N	200/Bag, 4000/CS
CFT002050	5.0	Natural	Conical-Bottom	Y	200/Bag, 4000/CS
CFT023050	5.0	Blue	Conical-Bottom	N	200/Bag, 4000/CS
CFT003050	5.0	Blue	Conical-Bottom	Y	200/Bag, 4000/CS
CFT024050	5.0	Yellow	Conical-Bottom	N	200/Bag, 4000/CS
CFT005050	5.0	Yellow	Conical-Bottom	Y	200/Bag, 4000/CS
CFT025050	5.0	Green	Conical-Bottom	N	200/Bag, 4000/CS
CFT225050	5.0	Green	Conical-Bottom	Y	200/Bag, 4000/CS
CFT026050	5.0	Rose red	Conical-Bottom	N	200/Bag, 4000/CS
CFT006050	5.0	Rose red	Conical-Bottom	Y	200/Bag, 4000/CS
CFT020050	5.0	Black	Conical-Bottom	N	200/Bag, 4000/CS
CFT021050	5.0	Black	Conical-Bottom	Y	200/Bag, 4000/CS

Drawn	Approved
Date 16 Aug 2019	Date 16 Aug 2019
Name Alex Fang	Name James