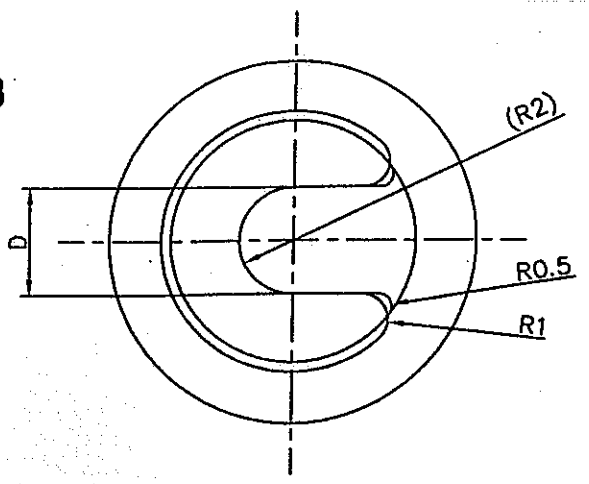
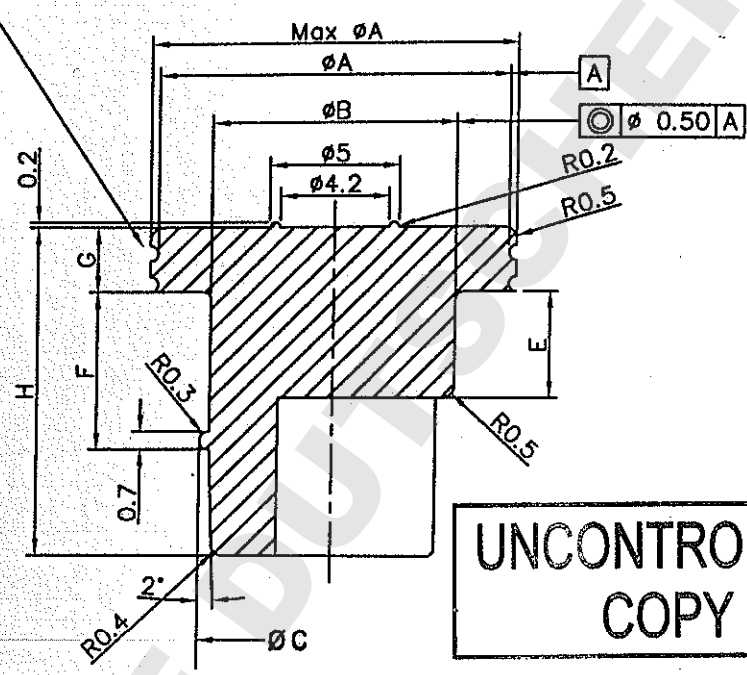


All unspecified radii R0.3



Trim may be irregular



UNCONTROLLED COPY

Standard dimensions		
Dimension	Size	±
ØA	13.95	0.2
ØB	9.45	0.13
ØC	10.2	0.13
ØD	4.0	0.13
E	4.1	0.13
F	6.1	0.13
G	2.5	0.25
H	12.7	0.38

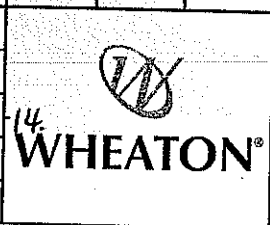
NOTE
 1. ALL WORK IN ACCORD. WITH WHEATON UK LTD STANDARD SPEC.
 2. Ref.

REV	DATE	BY	CHK	APP

Details of last Amendment

CONFIDENTIAL
 THIS DRAWING IS THE PROPERTY OF WHEATON UK LTD REPRODUCTION OR DISCLOSURE IS PROHIBITED WITHOUT WRITTEN PERMISSION.

DRAWN P.GANDER
 CHECKED
 APPROVED *[Signature]*
 DATE 24.01.14
 ALL DIMENSIONS IN mm



Description
 Freeze drying stopper
 A4 600005 REV 1