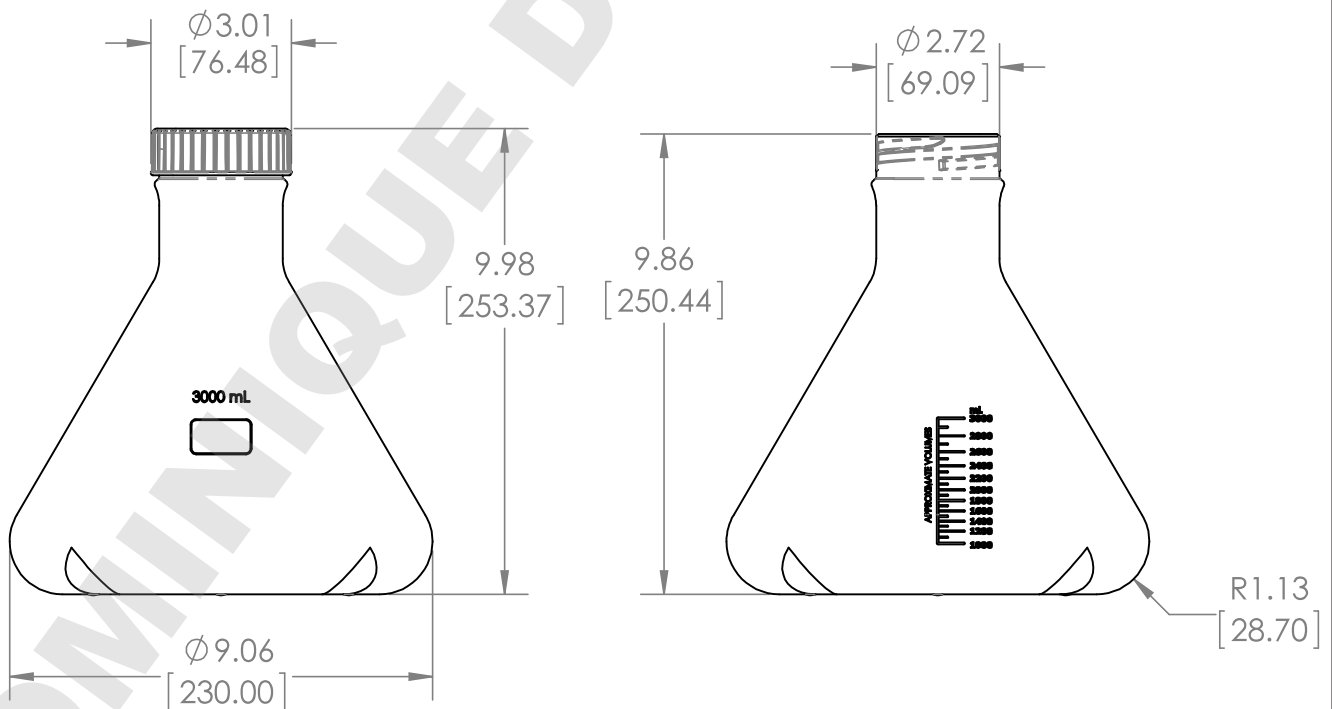


NOTE:

1. Dimensions in brackets are in millimeters.
2. Refer to product description for additional product information.

REVISIONS			
REV.	DESCRIPTION	DATE	APPV'D
C	SEE CR #10131A-7	01-18-06	HUMPHREY
D	REMOVE LOGO PER CR# 10131A-4	2/23/2009	SLA
E	UPDATED PER CR# 02286-1	1/29/2010	SLA
F	PRE CR# 10131A-5 CHANGED TO CORRECT ASSET#	7/6/2011	SLA
G	PER CR# 10131A-1	1/14/2013	MZ-



© CORNING is a registered trademark of Corning Incorporated

CORNING
 Corning Incorporated Proprietary
 Corning Incorporated
 Science Products Division
 Corning, NY 14831

Tolerances: Unless otherwise specified, dimensions are nominal, for reference only

Drawn MAH Date 11-14-05
 Chkd Date
 Matl See product descrip.
 CUSTOMER DRAWING Sht. 1 of 1

CORNING®
 FLASK, ERLLENMEYER, 3000mL
 BAFFLED, 70mm THREAD
 DRAWING NO 02287-203