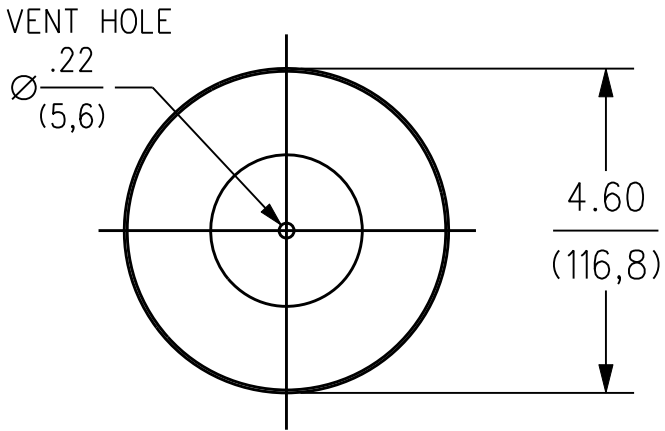


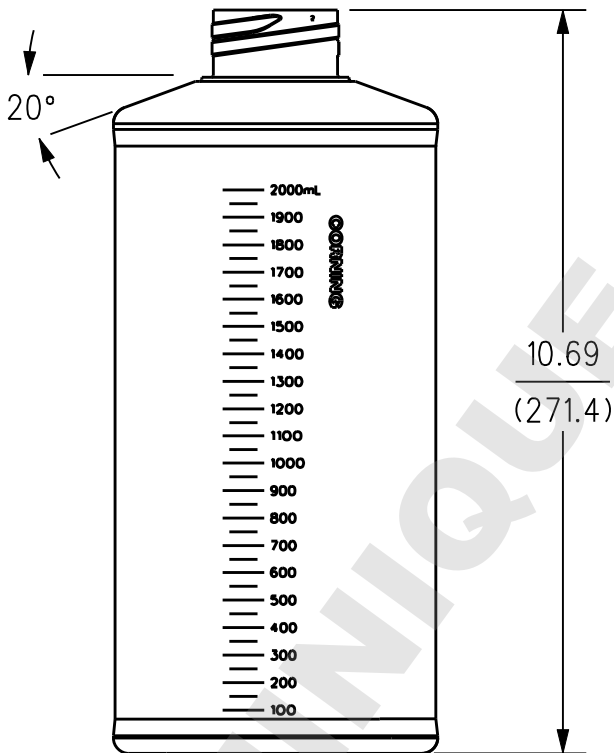
REVISIONS				
REV	DR	DESCRIPTION	DATE	APPROVED
B	RDR	SEE CR # 10123-39(98)	8-30-98	RDR

NOTE:

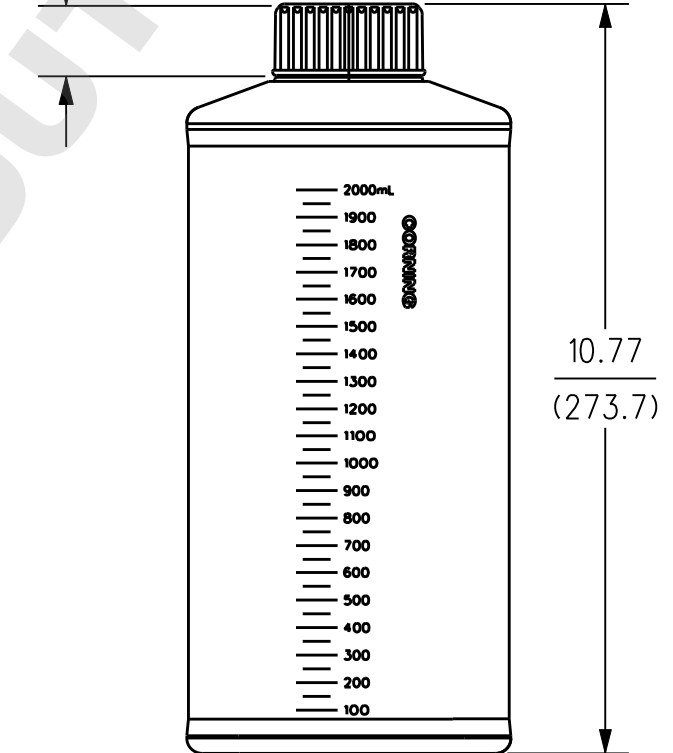
1. Dimensions in parentheses are in millimeters.
2. Refer to product description for additional product information.



1.00
(25,4)



NO CAP



EASY GRIP STYLE CAP SHOWN

© CORNING is a registered trademark of Corning Incorporated

CORNING
Corning Incorporated Proprietary
Corning Incorporated
Science Products Division
Corning, NY 14831

Tolerances: Unless otherwise specified dimensions are nominal for reference only

Drawn RDR Date 10-14-97
Chkd XXX XXXXX
Matl See product descrip.
Customer Spec. Sht. 1 of 1

CORNING®
850CM2 ROLLER BOTTLE
EASY GRIP VENT CAP
02213-206 Rev B