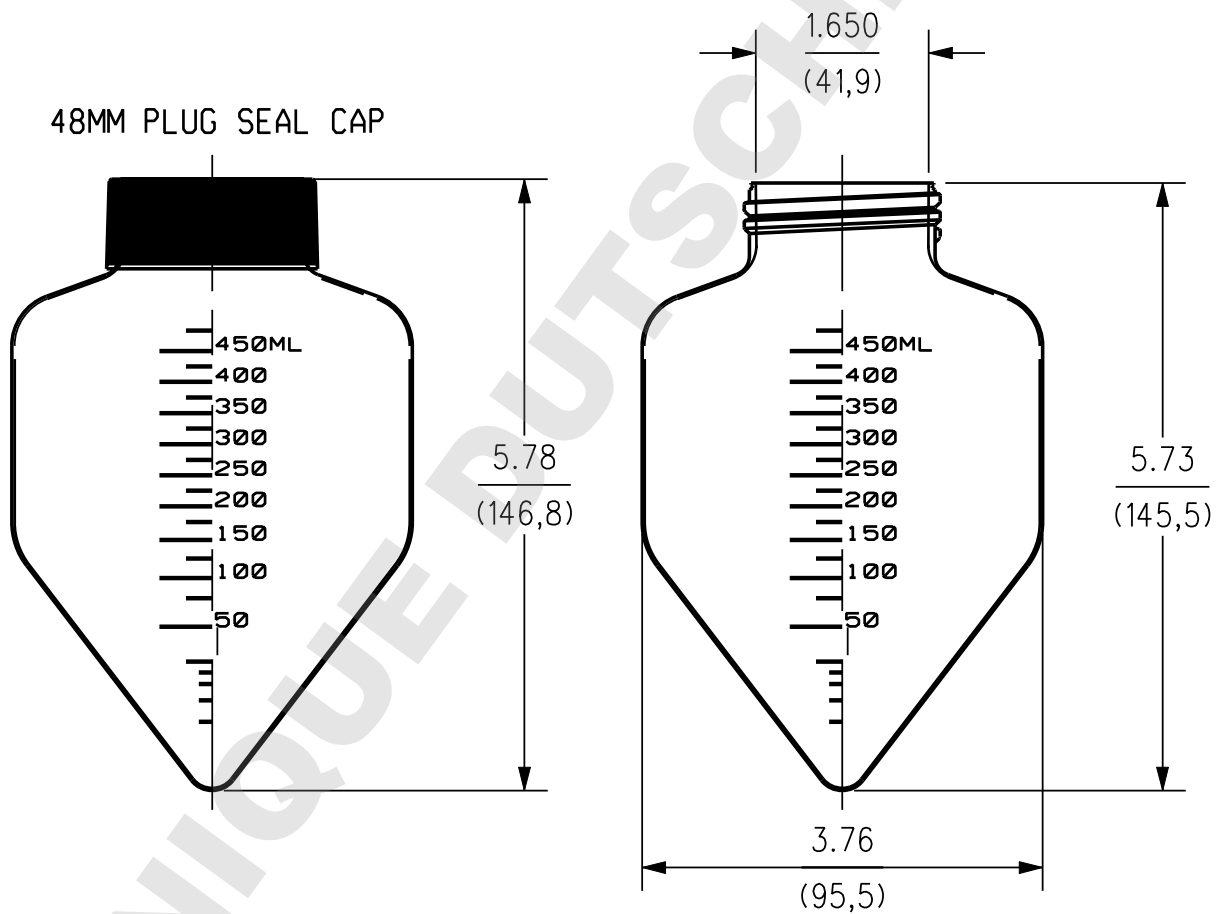


REVISIONS

REV	DR	DESCRIPTION	DATE	APPROVED
A	RDR	SEE CR # 10146A-3 (97)	3-20-97	RDR
B	MAH	SEE CR # 10118A-5	06/18/01	BDL

NOTES:

1. DIMENSIONS IN PARENTHESES ARE IN MILLIMETERS.
2. ALL SURFACES HAVE 80 GRIT ALUMINUM OXIDE FINISH.



© CORNING is a registered trademark of Corning Incorporated

CORNING
Corning Incorporated Proprietary
Corning Incorporated
Science Products Division
Corning, NY 14831

Tolerances: Unless otherwise specified dimensions are nominal for reference only

Drawn RDR Date 3-20-97
Chkd XXX XXXXXX
Matl See product descrip.
Customer Spec. Sht. 1 of 1

CORNING®
500ML CENTRIFUGE TUBE
POLYPROPYLENE
02066-202 Rev B