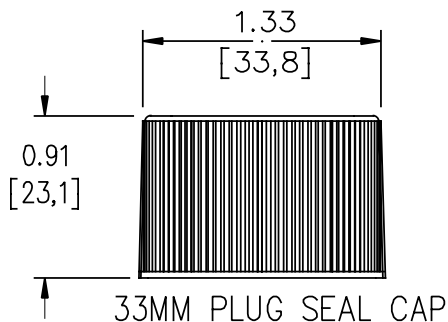


THREADS- 6 THREADS PER INCH
2 TURNS- SINGLE START

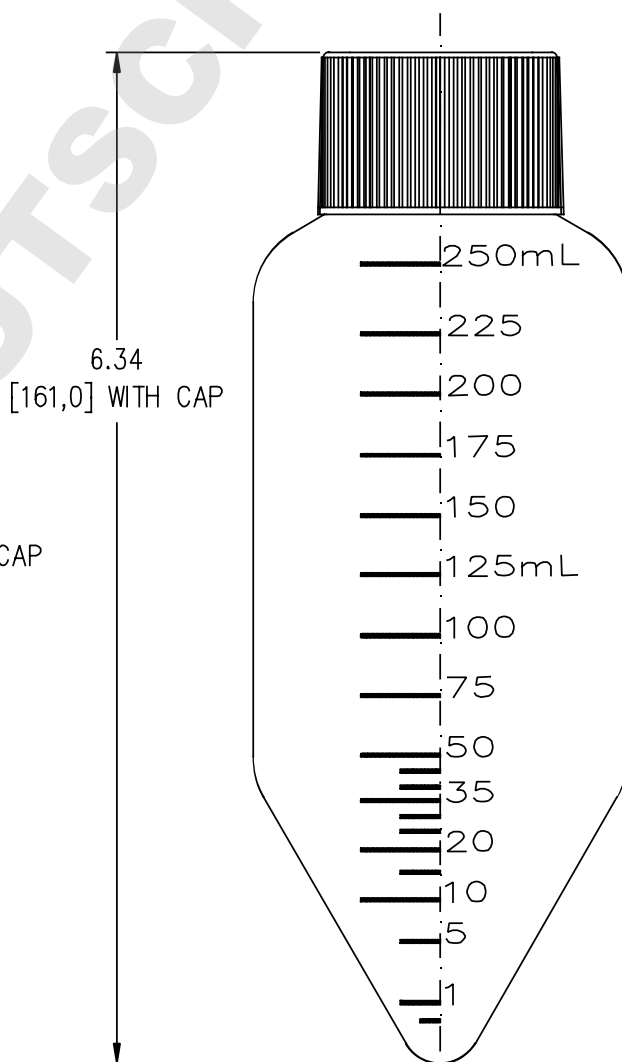
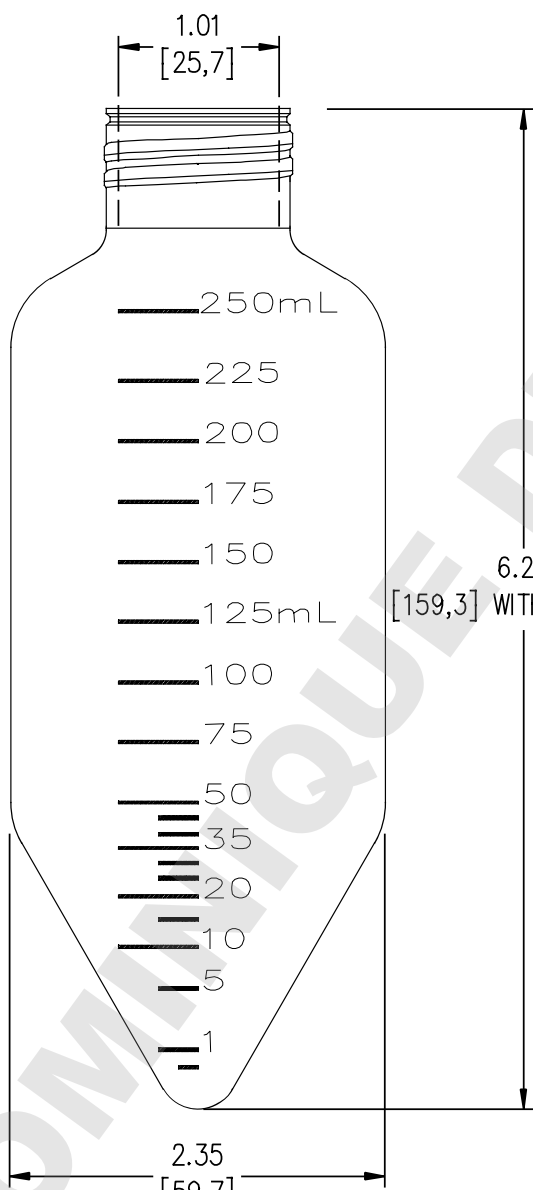


REVISIONS

REV	DR	DESCRIPTION	DATE	APPROVED
D	MAH	SEE CR # 10118A-1	06/23/06	MZ
C	BDL	SEE CR # 10118A-4	06/18/01	BDL
B	DSJ	SEE CR # 10118A-17	10-25-00	DSJ
A	RDR	SEE CR # 10118A-12 (97)	4-30-97	RDR
E	TJB	SEE CR # 10118A-6	7-15-14	MZ
F	KOB	SEE CR # 10118A-3	5-18-15	MZ
G	CRF	SEE CR # 10118A-6	9-30-15	MZ

NOTES:

1. DIMENSIONS IN BRACKETS ARE IN MILLIMETERS
2. REFER TO PRODUCT DESCRIPTION FOR ADDITIONAL PRODUCT INFORMATION



© CORNING is a registered trademark of Corning Incorporated

CORNING
Corning Incorporated Proprietary
Corning Incorporated
Science Products Division
Corning, NY 14831

Tolerances: Unless otherwise specified, dimensions are nominal for reference only

Drawn RDR Date 4-30-97
Chkd XXX XXXXXX
Matl See product descrip.
Customer Spec. | Sht. 1 of 1

CORNING®
250ML CENTRIFUGE TUBE
POLYPROPYLENE
02108-202 Rev G