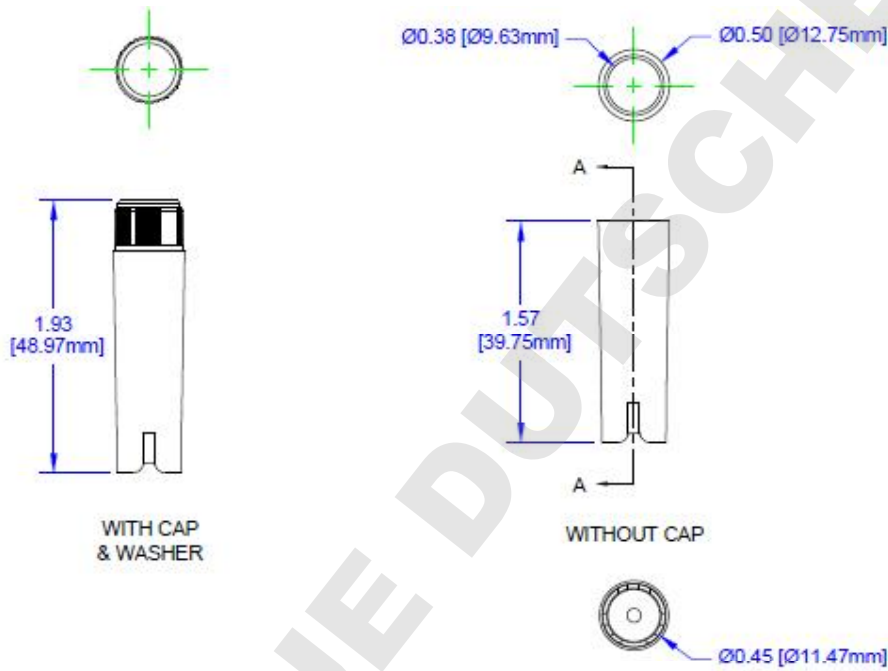


June 23, 2020

To whom it may concern.

This letter is response to your request for drawing of Corning® product:

430488 VIAL,2.0ML,RB,SS,INT,PP,S,BK,  
Height: 1.57 in/ 39.75 mm  
Circumference: 1.57 in/40.05 mm



If you have any question, please do not hesitate to contact me at 011-52-899-921-9943 or [DomingueJ@Corning.com](mailto:DomingueJ@Corning.com)

Sincerely,

José Dominguez  
Plant Quality Manager