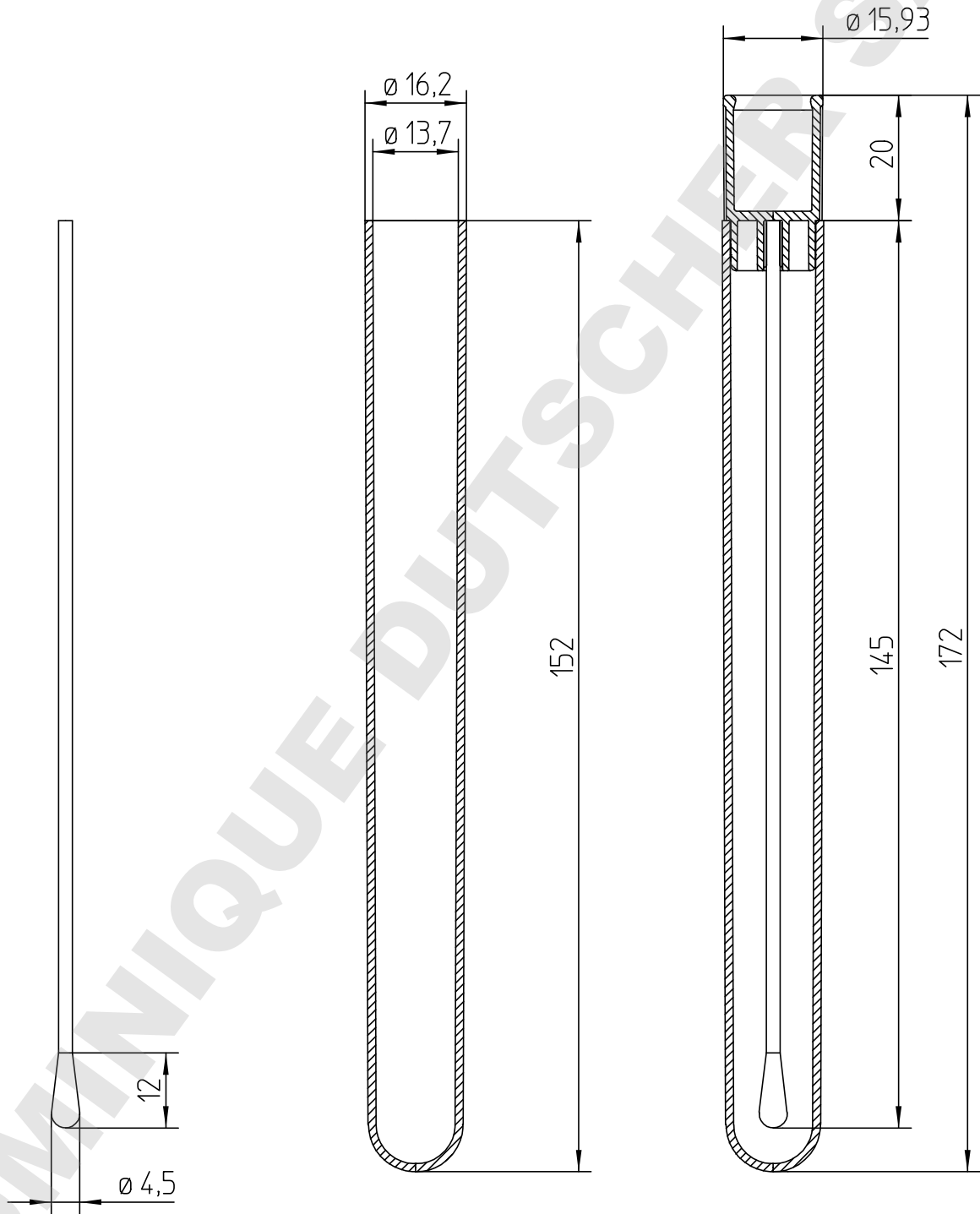


Valid for Item-No.: 421084, 421161, 421180



Material:
timber with cotton

Only layout change, no design change of the product.
Prior drawing No.AC-421xxx/ Rev 02/ February 6, 2009

"All dimensions in mm"
Customer drawing subject to change without notice!

Uncontrolled Copy

Prior Issue	Drawn	Approved	Released	<small>CONFIDENTIAL: Information contained in this document or drawing is confidential and proprietary to Greiner Bio-One GmbH. This document may not be reproduced for any reason without written permission from Greiner Bio-One GmbH. All rights of design, invention, and copyright are reserved.</small>
Revision	Date 2011/06/15	Date 2011/06/15	Date 2011/06/15	
Date	Name falter	Name falter	Name sonntag	