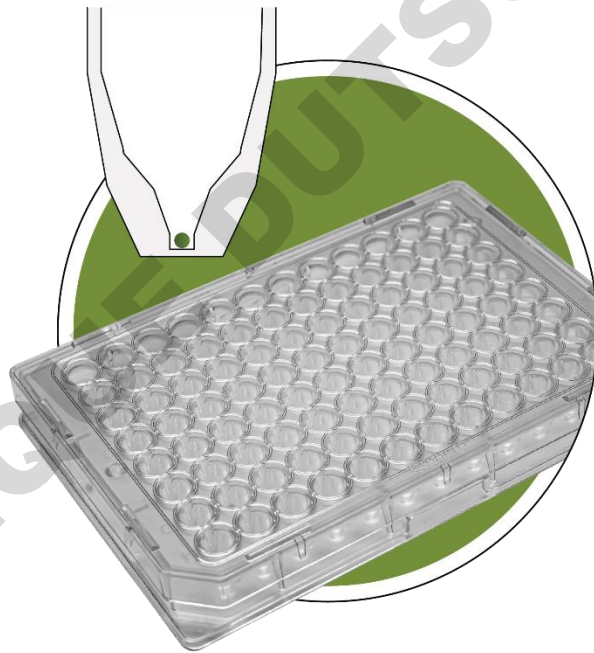




Akura™ 96 Spheroid Microplate

Technical Specifications



SPEC001, July 2023

Akura™ 96 Spheroid Microplate Specifications

Article number:	CS-PB13/15
Product name:	Akura™ 96 Spheroid Microplate
Pack size:	5x/20x Akura™ 96 Plates with lid, sterile, ultra-low attachment (ULA) coated wells
Plate & lid material:	COP (Cyclo-olefin-polymer), Polystyrene
ULA coating:	ULA coated Akura™ plate surfaces are hydrophilic, neutrally charged and promote the formation and long-term maintenance (> 4 weeks) of 3D cell cultures.

Plate Dimensions:

Plate length:	127.76 mm
Plate width:	85.48 mm
Height of plate:	14.35 mm
Height of plate with lid:	15.35 mm
Height of well:	12.95 mm
Skirt height:	0.4 mm
Diameter well opening:	6.70 mm
Diameter well bottom:	1 mm
Thickness well bottom:	0.8 mm
Working volume:	70-80 µl
Well-to-well distance:	9 mm
SureXchange™ tip position:	1.71 mm horizontal offset 9.86 mm in z-height (see Fig. 4)

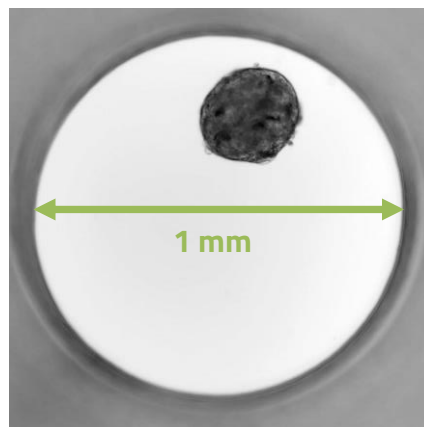
Product Description:

The Akura™ 96 Spheroid Microplate format is compliant with standard microtiter-plate definitions as specified by the SLAS Microplate Standards Advisory Committee ANSI SLAS 1-2004 (R2012). The 96 wells are arranged in 8 rows and 12 columns, identified by alphanumeric labels (Figure 1A). Individual wells show a regular wide opening at the top narrowing down into a small cavity at the well bottom, with a flat optically clear base (Figure 1B), designed to accommodate spheroids of up to 750 µm in diameter. The Akura™ 96 Spheroid Microplate technical specifications are provided as a reference for automation system programming (Figure 2, 3 and 4).

A



B



*Figure 1: **A.** Angled view of Akura™ 96 Plate. **B.** Human liver microtissue in Akura™ 96 Plate. The well diameter is exactly 1 mm.*

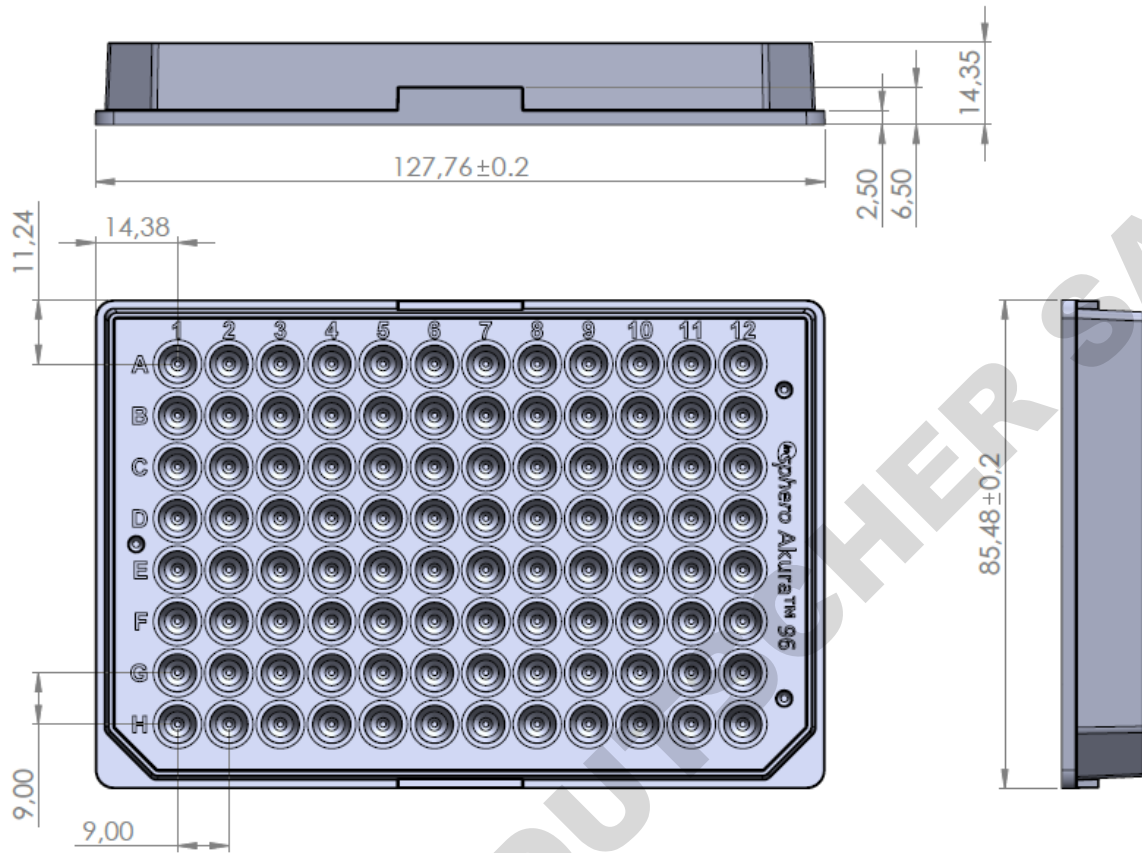


Figure 2: Technical specifications of Akura™ 96 Plate in mm.

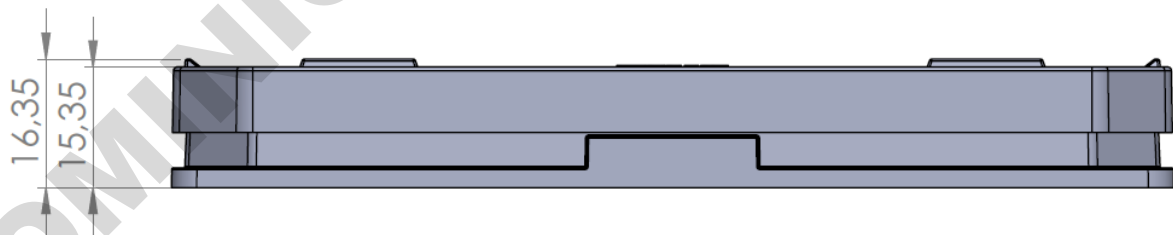


Figure 3: Height of well with lid in mm.

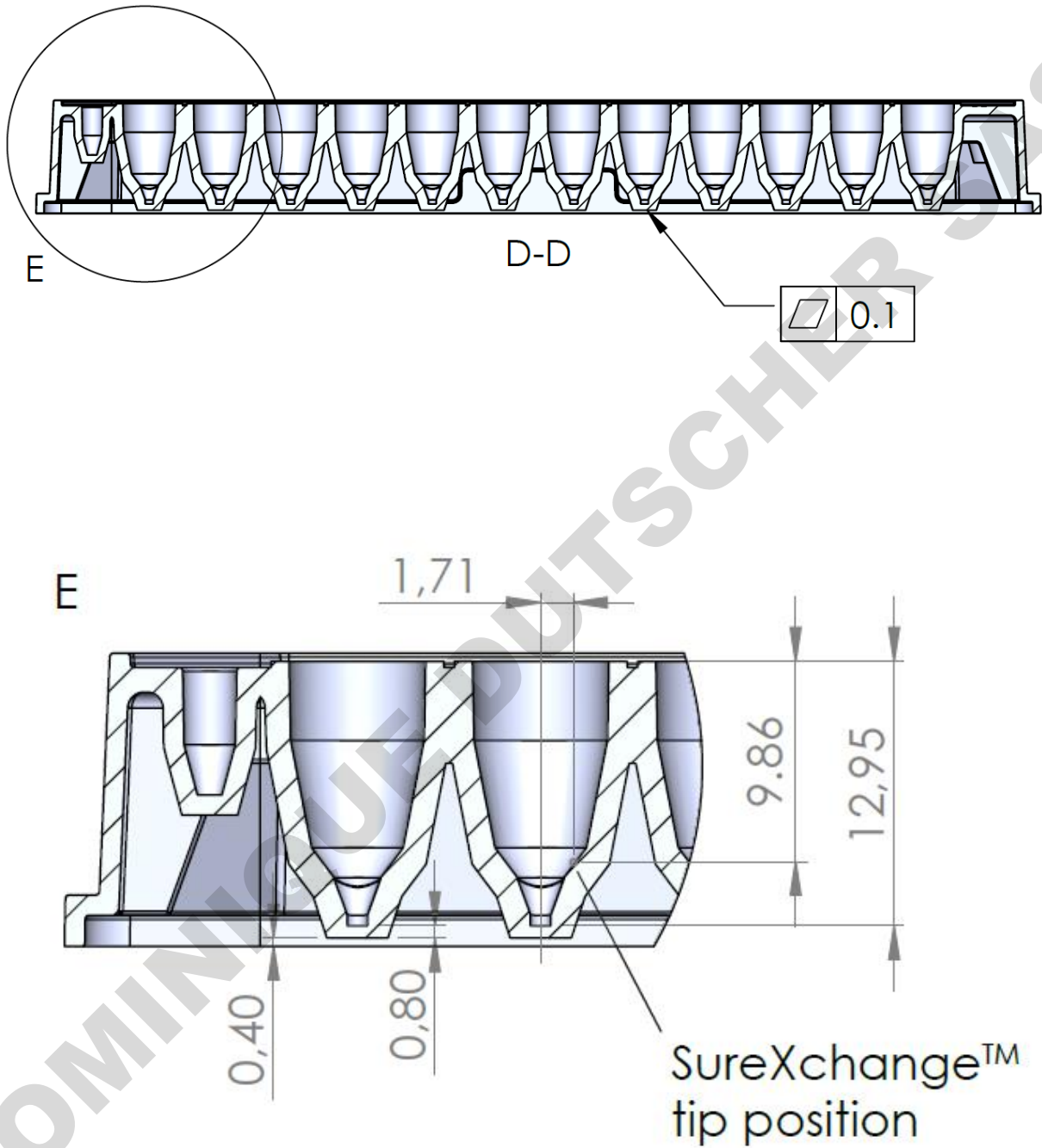


Figure 4: Height of well, skirt height, well bottom thickness and SureXchange™ tip position in mm.

DOMINIQUE DEUTSCHER SAS



InSphero AG
Schlieren, Switzerland

InSphero Inc.
Brunswick, ME, USA

If you have more questions, please refer to
the FAQs section on shop.insphero.com

Sign up for latest news and updates at
insphero.com/newsletter

Follow us on LinkedIn and Twitter

InSphero is ISO 9001:2015 certified

All rights reserved, © 2021 InSphero AG.
3D InSight, Akura and InFloat are
trademarks of InSphero AG. For life
science research only. Not for use in
diagnostic procedures.