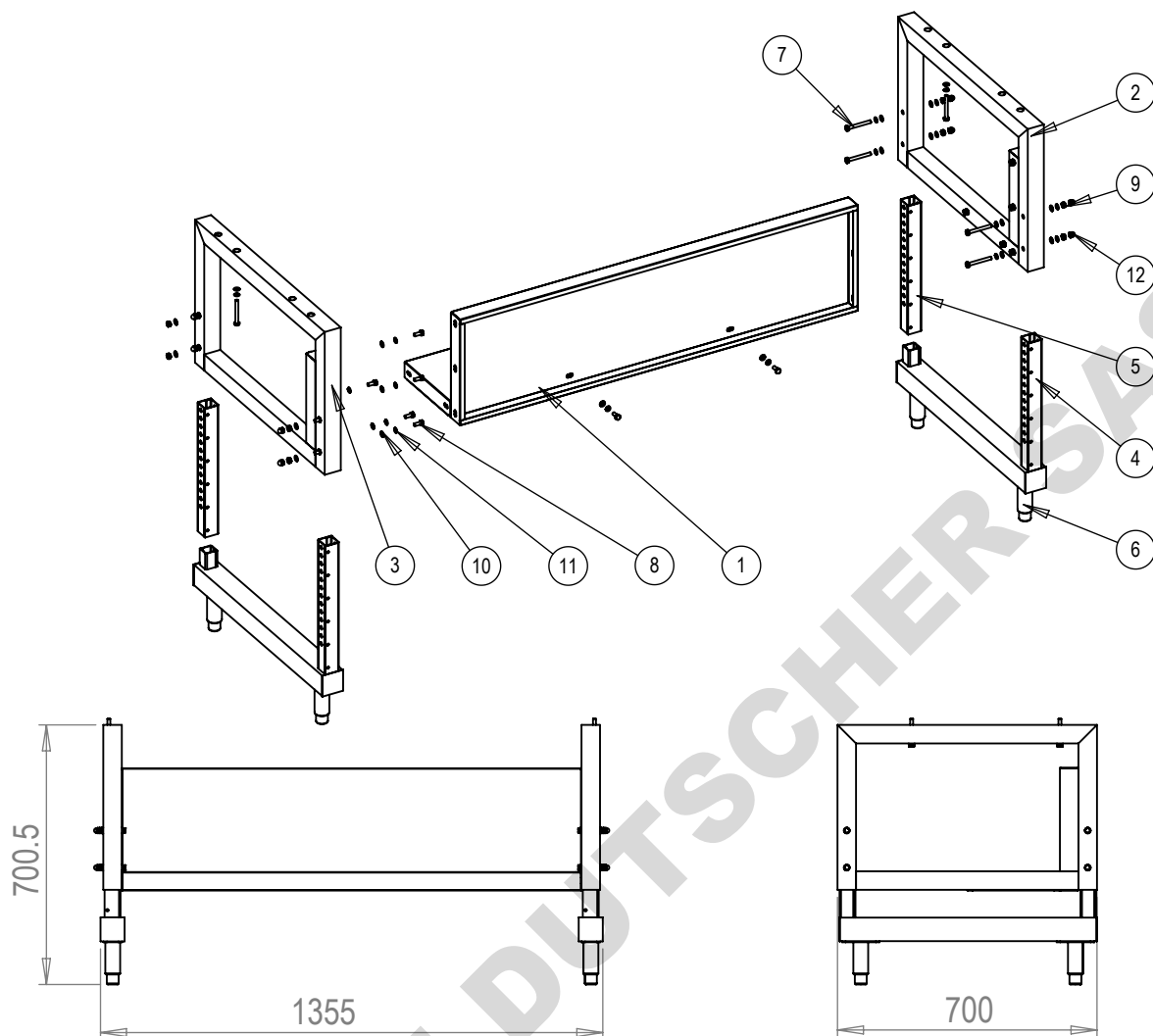


REVISIONS

REV.	DESCRIPTION	DATE	REV BY	ACC
A	INITIAL RELEASE	15/6/2016	RIZKI	



ITEM NO.	ITEM CODE	DESCRIPTION	QTY.	Check
1	5010662	BACK PANEL,EG,STL 28",4 FT	1	
2	5204635	LEFT SIDE FRAME, STC/STL-3/4/5/6A0	1	
3	5204634	RIGHT SIDE FRAME, STC/STL-3/4/5/6A0	1	
4	5204633	BOTTOM SUPPORT	2	
5	5204636	TELESCOPIC	2	
6	1051036	LEVELLING FEET W/ PLATE	4	
7	1150151	S/SA2 HEXAGON BOLT M8X70	12	
8	1150148	S/SA2 HEXAGON BOLT M8X20	12	
9	1150161	S/SA2 HEXAGON NUT M8	8	
10	1150132	S/SA2 FLAT WASHER M8	32	
11	1150182	S/SA2 SPRING WASHER M8	32	
12	1150104	S/SA2 CAP NUT M8	8	

CHECKED BY:

APPROVED BY:

NOTE:

THIRD ANGLE VIEW	DIMENSION : MM	SCALE : 1:20
DESCRIPTION : S/STAND, TELESCOPIC, STL-4A0	REVISION	
PRODUCT : STL-4A0	A	
MATERIAL :		
THICKNESS : MM	DRAWING NUMBER	

"THESE DRAWINGS AND SPECIFICATIONS ARE THE EXCLUSIVE PROPERTY OF ESCO, ISSUED IN STRICT CONFIDENCE AND SHALL NOT, WITHOUT PRIOR WRITTEN PERMISSION OF ESCO, BE REPRODUCED"

COLOR:	QTY:1	5130051-PD		
UNLESS OTHERWISE SPECIFIED	GENERAL TOLERANCE : ± 1.00 MM ANGLE TOLERANCE : ± 1°			
APPROVED BY	CHECKED BY	DESIGNED BY	DRAWN BY	PAGE



WORLD CLASS. WORLDWIDE.

Headquarters: Esco Micro Pte Ltd
21 Changi South Street 1
Singapore 486777
Tel: +65 65420833 Fax: +65 65426920
Web: www.escoglobal.com

RONNEL
28/3/2014

RIZKI
15/6/2016

1 / 1