

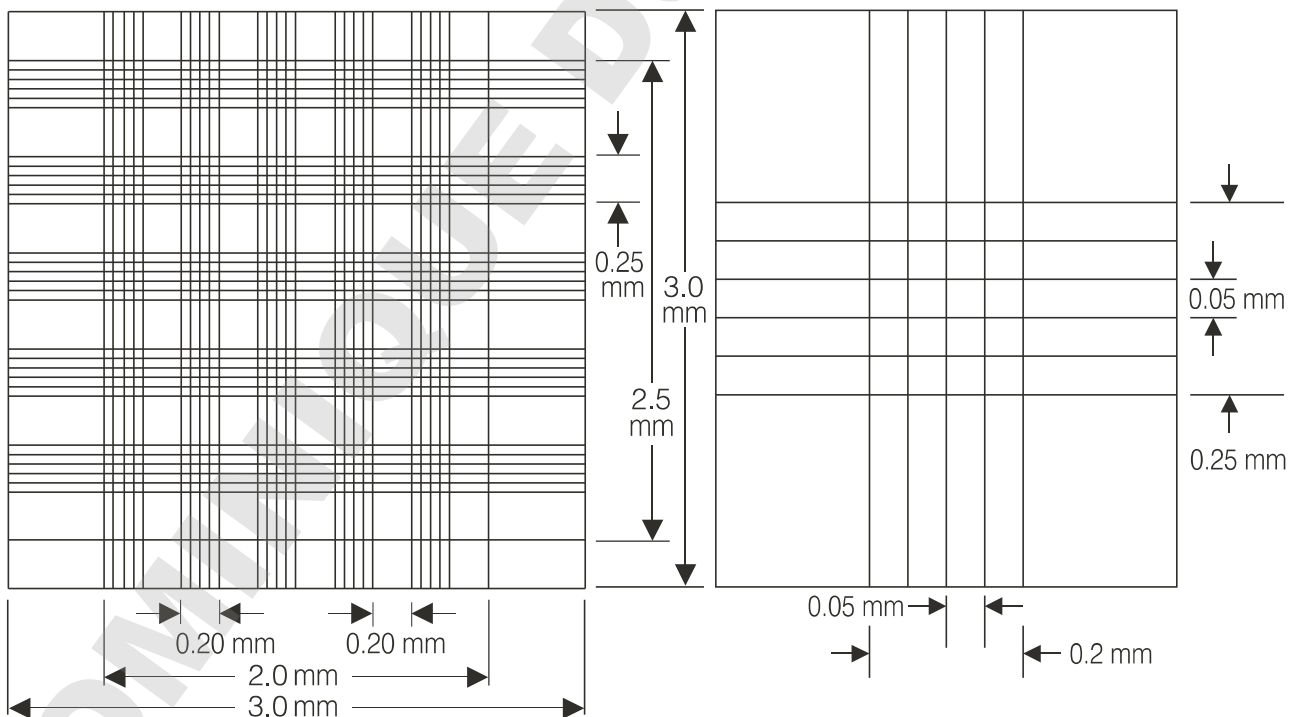
Grid pattern of Malassez

DHC-M01

The C-Chip (DHC-M01) grid pattern is exactly same as the Malassez. It consists of 25 large squares, each measuring 0.2 x 0.25 mm and the depth of the chamber is 0.2 mm. Each square has a total volume of 0.01 mm³ or 10⁻⁵ cm³.

The large squares are subdivided into 20 small squares with an area of 0.0025 mm².

- Cells per mL =
- average count per large square x dilution factor x 10⁵ (dilution factor)



Grid pattern of DHC-M01