

LP ITALIANA SPA

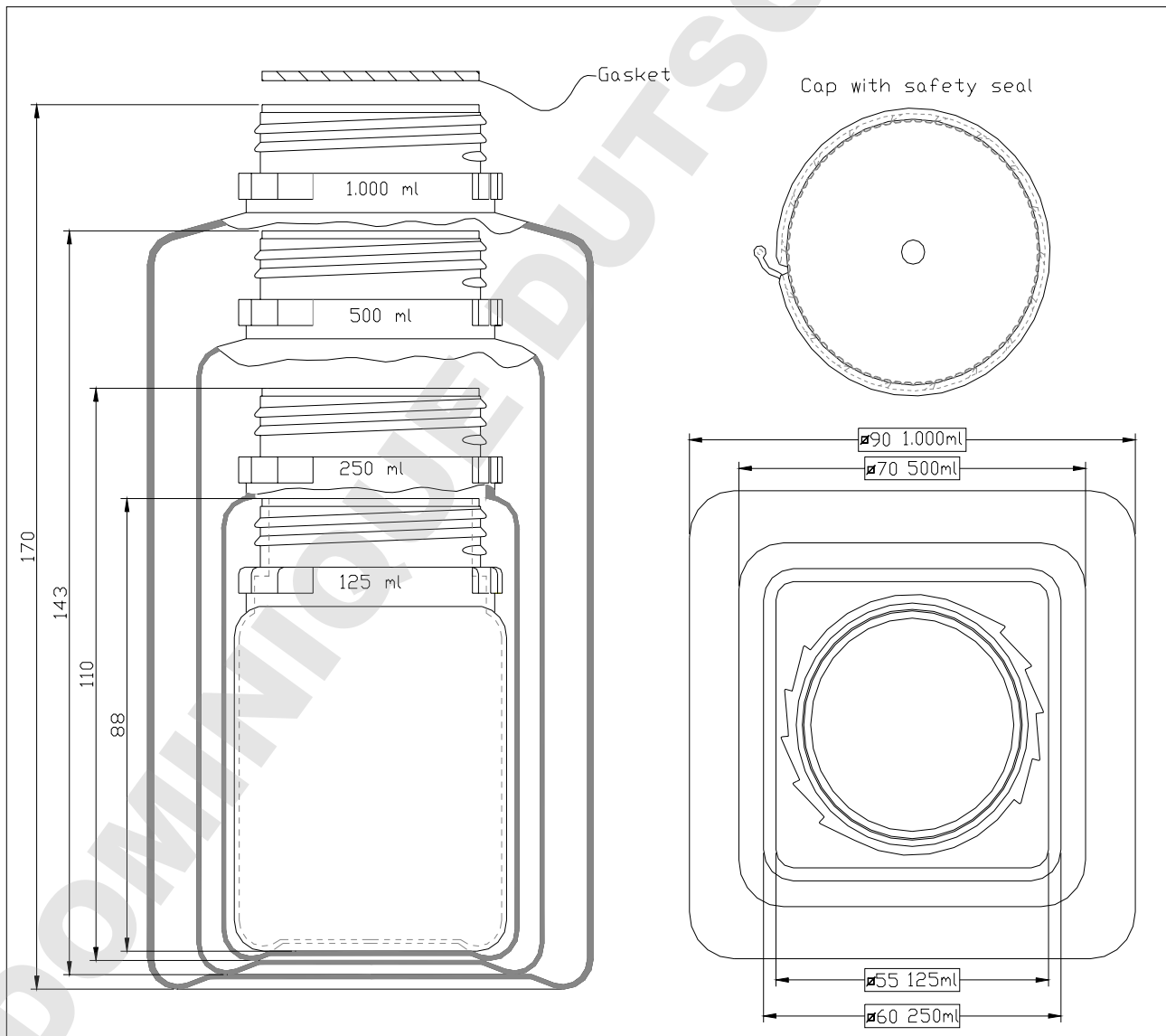
WIDE NECK BOTTLES FEATURES


produced in: PETG – PP – amber PP

Models with 50 mm nominal opening, facilitate the filling, minimize the risk of contamination during sampling (in accordance with the recommendations of the ISO 19458:2006 - sampling techniques):

Common characteristic:

Nominal Capacity (ml)	125	250	500	1.000
Brim Capacity (ml)	205	330	590	1.150
Graduation (ml)	25 – 125 (150)	50 - 250	100 - 500	200 - 1.000
Bottle Square (mm)	55 x 55	60 x 60	70 x 70	90 x 90
Bottle Height w/o cap (mm)	88	110	143	170
Bottle Height with cap (mm)	93	115	145	175
Cap Diameter (mm)	50			
Shelf life (months)	With Na Thiosulfate	24		
	w/o Na Thiosulfate	60		
Case quantity	350	216	120	72



Firma: 	Distribuito a : DG – DVE – VEE – VEI - UA
Documento: RSSG 099 Rev. U	Pg. 2 of 6
	Data Emissione: 23.07.2015

LP ITALIANA SPA

NARROW NECK BOTTLES - in natural, virgin HDPE.

The nominal diameter of the neck of 31 mm, facilitate both pouring precision and opening.
 Body colour: matt, semi-translucent.
 Suitable for water sampling, they are mainly used in food industry.

Nominal Capacity (ml)	250	500	1.000
Brim Capacity (ml)	290	550	1.090
Graduation - every 50ml - (ml)	50 - 250	100 - 500	100 - 1.000
Body Transversal section (mm)	52 x 52	70 x 70	80 x 90
Bottle Height w/o cap (mm)	135	151	195
Bottle Height with cap (mm)	138	154	198
Cap Diameter (mm)	34		
Shelf life (months)	With Na Thiosulfate	24	
	w/o Na Thiosulfate	60	
Case quantity	231	120	72

