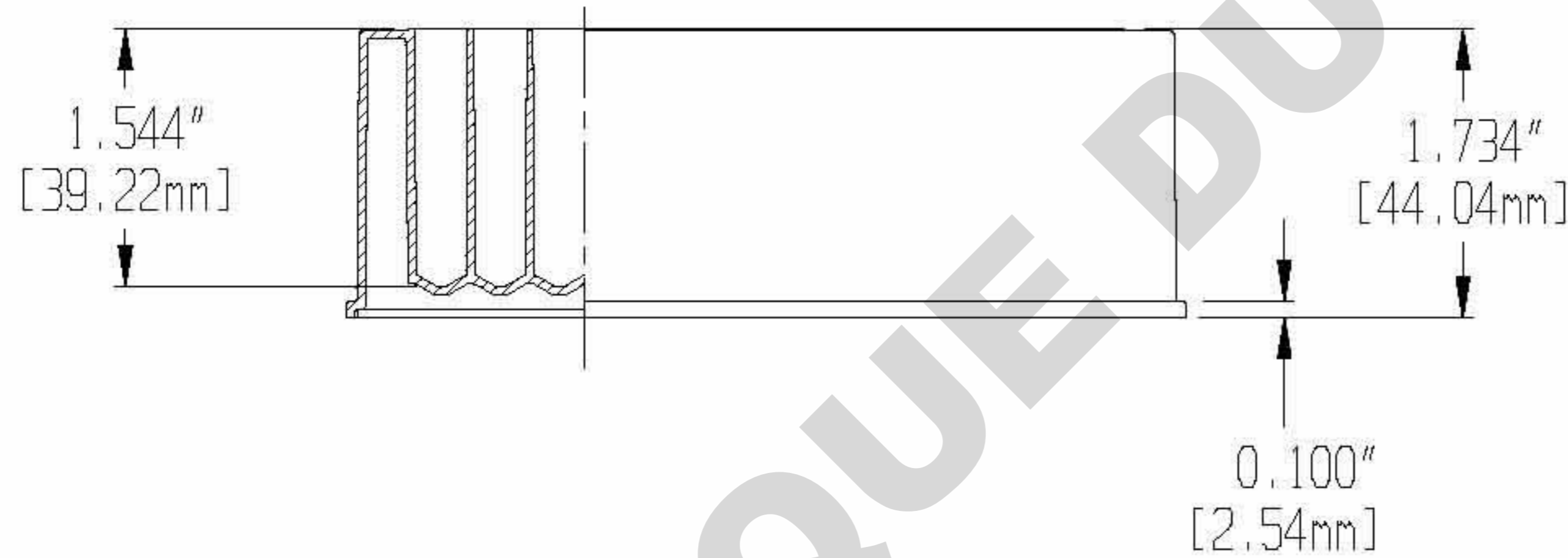
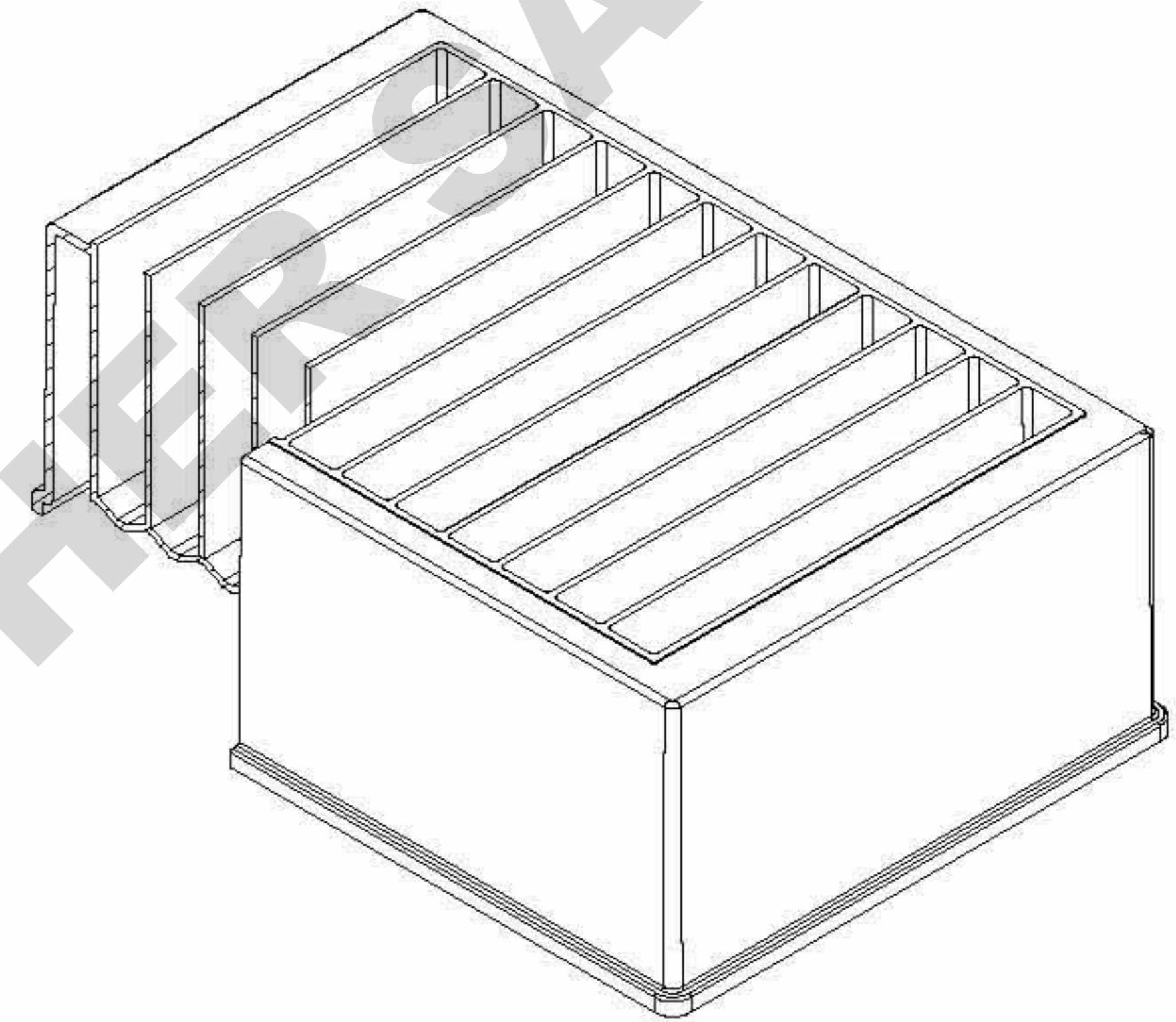
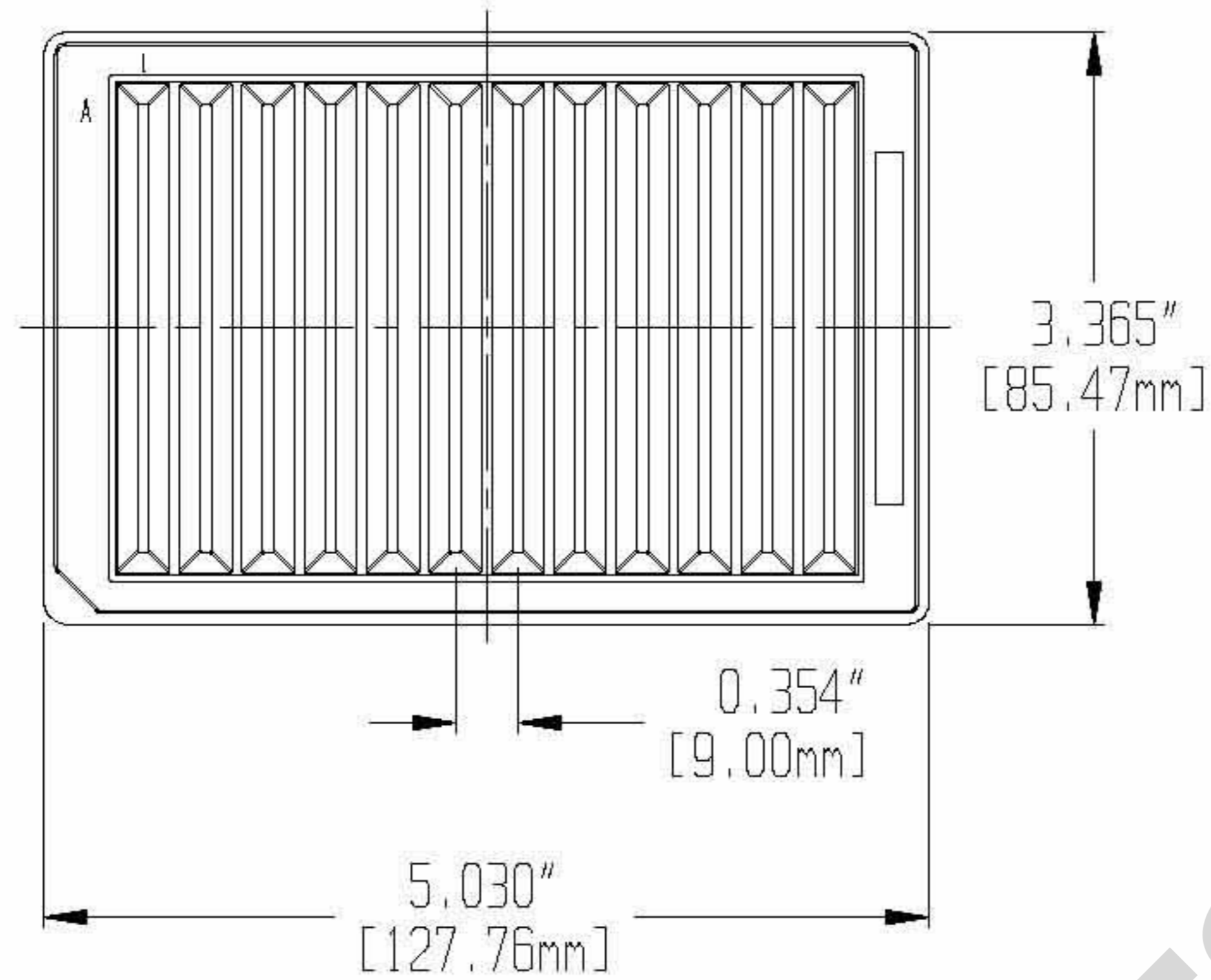


REV.	ECO NO.	DESCRIPTION
A	000022	RELEASE TO PRODUCTION.



NOTE:

MAX VOLUME OF COLUMN 21 μ l

Seahorse Bioscience

300 Griffith Road
Chicopee, MA 01022
Tel: (413) 593-5300
Fax: (413) 593-5900

© 2001
CONFIDENTIAL
TRADE SECRETS
PATENTS ISSUED
AND PENDING
DO NOT COPY
OR DISCLOSE
WITHOUT WRITTEN
PERMISSION OF
INNOVATIVE MICROPLATE

TOLERANCES UNLESS
OTHERWISE SPECIFIED
XX \pm .03
XXX \pm .015
XXXX \pm .0005
FRACTION: \pm 1/64
ANGULAR: \pm 0° 15'
RADIUS 0.015" UNLESS
OTHERWISE SPECIFIED
BREAK ALL SHARP EDGES

MATERIAL: RESPPCP
NATURAL POLYPROPYLENE
CONCENTRATE:
DATE: 01/22/02
DRAWN BY: YELENA SLIKONIK

PRT NAME:
12 COLUMNS, PARTITIONED RESERVOIR, PYRAMID BOTTOM, NATURAL PP
PRT NO.: S30019
APPR BY:
PRT SIZE: A
SCALE: NTS
SHEET 1 OF 1
REV. A