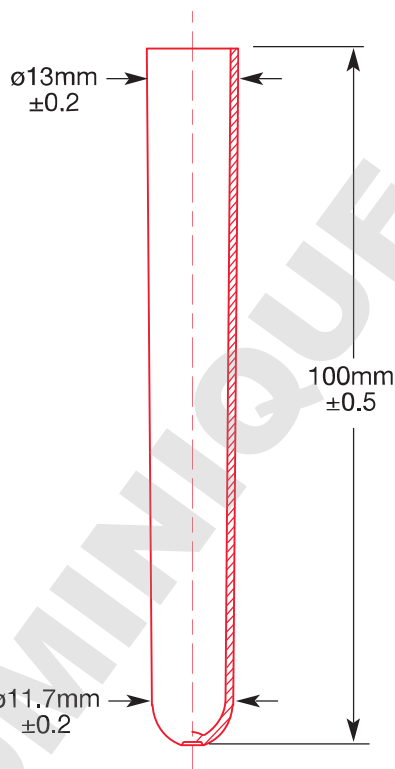


13 x 100mm (8mL Capacity) Test Tubes

Item# 110415 / 110445



Description

These Globe Scientific test tubes are molded from premium grade polystyrene (PS) for clarity or polypropylene (PP) for impact strength and stability to common acids, alkalies, and solvents. The polystyrene tubes can withstand 1500 RPM during centrifugation. The polypropylene tubes can withstand 3000 RPM and are autoclavable and freezable.

Features

- 8mL capacity
- 13 x 100mm
- Available in polystyrene (PS) or polypropylene (PP)
- Non-graduated

Technical Specifications

Polystyrene Tubes:

Spin Rate: 1500 RPM
 Autoclavable: No
 Brittleness temperature: 20°C
 Maximum temperature: 90°C
 Sterility: Non-sterile

Polypropylene Tubes:

Spin Rate: 3000 RPM
 Autoclavable: Yes
 Brittleness temperature: 0°C
 Maximum temperature: 135°C
 Sterility: Non-sterile

Products

Item#	Description	Unit
110415	8mL test tube, PS	1000
110445	8mL test tube, PP	1000