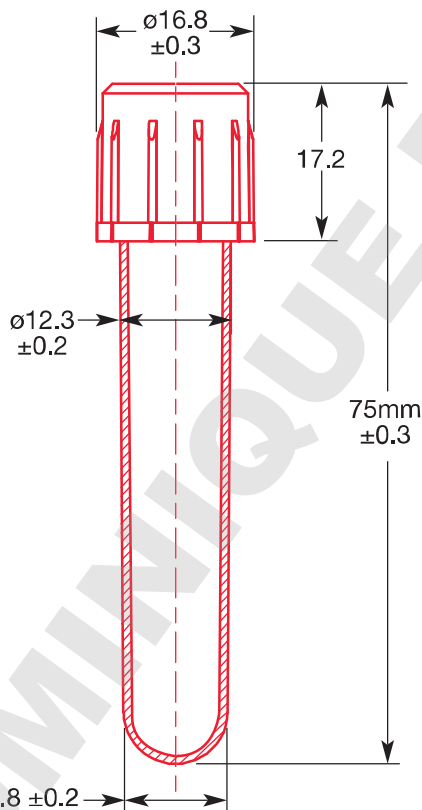


12 x 75mm (5mL Capacity) Screw Cap Test Tubes

Item# 6148R / 6148W



Description

These Globe Scientific 12 x 75mm screw cap test tubes are molded from premium grade polypropylene (PP) for impact strength and stability to common acids, alkalis, and solvents. They can withstand 3000 RPM during centrifugation and are autoclavable and freezable. The screw caps come attached to the tubes and are designed to be leak-tight.

Features

- 5mL capacity
- 12 x 75mm
- Great when dealing with aliquot sampling
- Leak-tight screw caps
- Polypropylene (PP)
- Non-graduated

Technical Specifications

Spin Rate: 3000 RPM
 Autoclavable: Yes
 Brittleness temperature: 0°C
 Maximum temperature: 135°C
 Sterility: Non-sterile

Products

Item#	Description	Unit
6148R	5mL test tube, PP, red screw cap, 250/bag, 4 bags/case	1000
6148W	5mL test tube, PP, white screw cap, 250/bag, 4 bags/case	1000