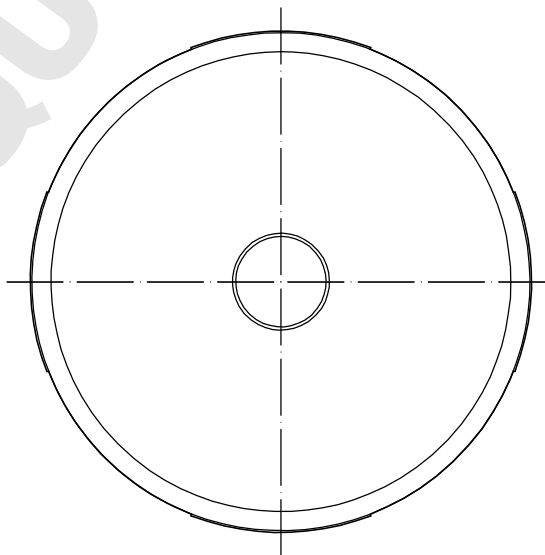
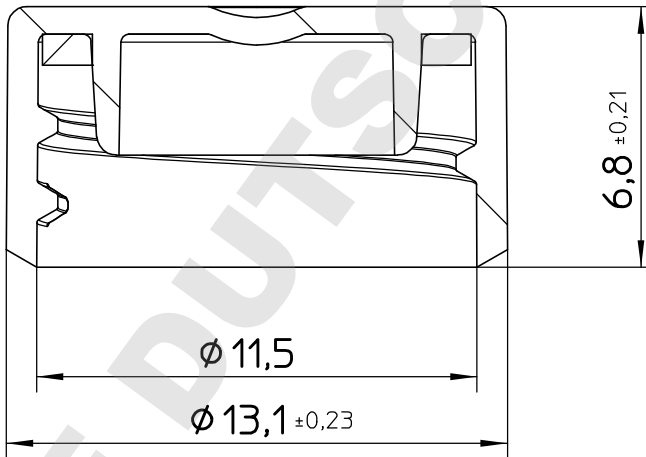
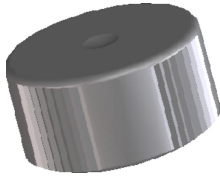


Valid for Item-No.: 366380, 366381, 366383, 366384, 366385, 366386



"All dimensions in mm"

Customer drawing subject to change without notice!

Uncontrolled Copy

| | | | | |
|--------------------|--------------------|--------------------|--------------------|--|
| Prior Issue | Drawn | Approved | Released | CONFIDENTIAL: Information contained in this document or drawing is confidential and proprietary to Greiner Bio-One GmbH. This document may not be reproduced for any reason without written permission from Greiner Bio-One GmbH. All rights of design, invention, and copyright are reserved. |
| Revision 3 | Date 2011/06/10 | Date 2017/03/01 | Date 2017/03/01 | |
| Date 2013/02/28 | Name forb | Name forb | Name sonntag | |