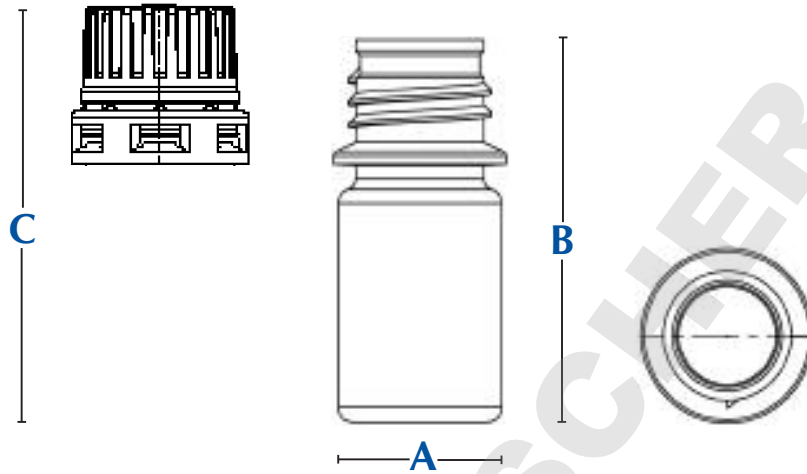




# PETG Diagnostic Bottles / Serum Vials

## DATA SHEET



	Catalog #	RGC0010S	RGC0005S
Vial Dimension	Size / Volume	10 ml	5 ml
	A • Diameter	23.7 mm	23.5 mm
	B • Height (w/o Cap)	62 mm	52 mm
	C • Height (w/Cap)	64.1 mm	54.1 mm



TriForest polyethylene terephthalate copolyester (PETG) sterile serum vials are ideal for diagnostic specimen, safe storage, transfer and transport of antibodies, proteins, nucleic acids, enzyme and substrates. All TriForest PETG vials meet with current biological and pharmaceutical regulatory standards, such as: USP Class VI, non-cytotoxic, non-pyrogenic, USP <661>, European Pharmacopeia for Abnormal toxicity. They are made from ADCF (Animal Derived Component Free) materials. PETG vials are suitable for air shipment and are tested during each manufacturing run to ensure leak proof performance. They are packaged with a blue tamper-evident, polyethylene closures. All vials are provided sterile SAL10<sup>-6</sup>, in a multi-barrier, cleanroom production packaging with caps engaged.

TriForest Enterprises, Inc.

6 Chrysler, Irvine, CA 92618, USA | (888) 777-9956 | (949) 380-8866 | Fax: (949) 380-9955 | www.triforest.com | info@triforest.com

© Copyright of TriForest Enterprises, Inc. Vol. 1

# PETG Diagnostic Bottles / Serum Vials

## VIAL & CAP SPECIFICATIONS

Vial Specification	Catalog #	RGC0010S	RGC0005S
	Overhead Space	20%	
	Transparent	YES	
	Leakproof	YES	
	Particle Free	YES	
	Pyrogen Free	YES	
	Non-Cytotoxic/ Non-Hemolytic	YES	
	Molded Graduations for Reference Measurements	YES	
	Nuclease Free	YES	
	Sterile to SAL 10 <sup>-6</sup> (Gamma Irradiation)	YES	

Cap Specification	Size	20-415	20-415
	Standard Color	Blue	
	Material	Polyethylene	

Packaging	Number of Vials / Pack	120	100
	Number of Packs / Case	16	16
	Total Number of Vials / Case	1920	1600
	Case Dimension (L x W x H inches)	23 x 23 x 14.5	18.5 x 18.5 x 12.25
	Case Dimension (L x W x H cm)	58 x 58 x 37	47 x 47 x 31
	Case Gross Weight	41 lbs / 18.5 kg	33 lbs / 15 kg

Optional Accessories
Tamper Evident Cap Tamper Evident Septum Cap