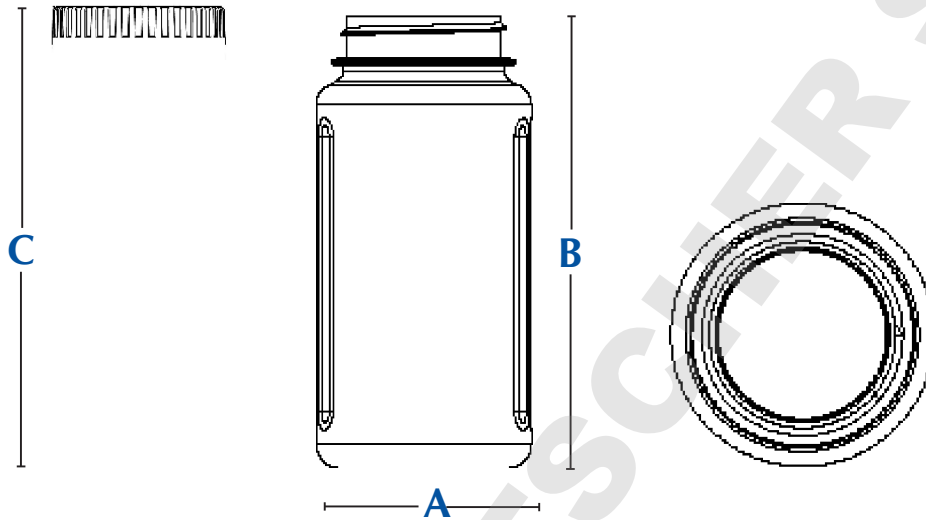




Polycarbonate Wide Mouth Bottles / Centrifuge Flasks

DATA SHEET



Bottle Dimensions	Catalog #	WPC1000	WPC0500	WPC0400	WPC0180
	Size / Volume	1000 ml	500 ml	400 ml	180 ml
	A • Diameter	91.5 mm	80.6 mm	68.6 mm	50.22 mm
	B • Height (w/o Cap)	203.5 mm	169.5 mm	169.5 mm	104 mm
	C • Height (w/ Cap)	209.8 mm	175.8 mm	175.8 mm	107.2 mm



TriForest Wide-Mouth polycarbonate (PC) bottles are engineered for applications including ultra centrifugation or culture of microbes, plants, algae, and organisms requiring large surface area to volume ratios. As ultracentrifuge flasks, the bottles withstand maximum speeds without leakage and are ideal for all GS3 rotors. The tight-fitting polypropylene screw cap reduces the possibility of aerosol escape. The bottles and caps are re-usable and re-sterilizable by autoclaving. The bottles are provided non sterile with the cap on as standard offering.

TriForest Enterprises, Inc.

6 Chrysler, Irvine, CA 92618, USA | (888) 777-9956 | (949) 380-8866 | Fax: (949) 380-9955 | www.triforest.com | info@triforest.com

© Copyright of TriForest Enterprises, Inc. Vol. 1

Polycarbonate Wide Mouth Bottles / Centrifuge Flasks

BOTTLE & CAP SPECIFICATIONS

Bottle Specification	Catalog #	WPC1000	WPC0500	WPC0400	WPC0180
	Overhead Space	20%			
	Transparent	YES			
	Leakproof	YES			
	Particle Free	YES			
	Sterile (Gamma Irradiation)	NO			
	Temperature Range	-125° C to 125° C			

Sterilization	Autoclavable	YES		
	Maximum Autoclave Temperature	125° C		
	Autoclave Cycles	≤ 10		

Cap Specification	Size	63 mm	54 mm
	Standard Color	Black	Blue

Packaging	Number of Bottles / Tray	12	12	12	12
	Number of Trays / Case	4	6	6	12
	Total Number of Products / Case	48	72	72	144
	Case Dimension (L x W x H inches)	23.5 x 15.5 x 19.5	20 x 14 x 24	18.5 x 13 x 24	21 x 17 x 17.5
	Case Dimension (L x W x H cm)	60 x 39 x 50	51 x 36 x 61	47 x 33 x 61	53 x 43 x 44
	Case Gross Weight	21 lb / 9.6 kg	20 lb / 9 kg	23 lb / 10.5 kg	22 lb / 10 kg