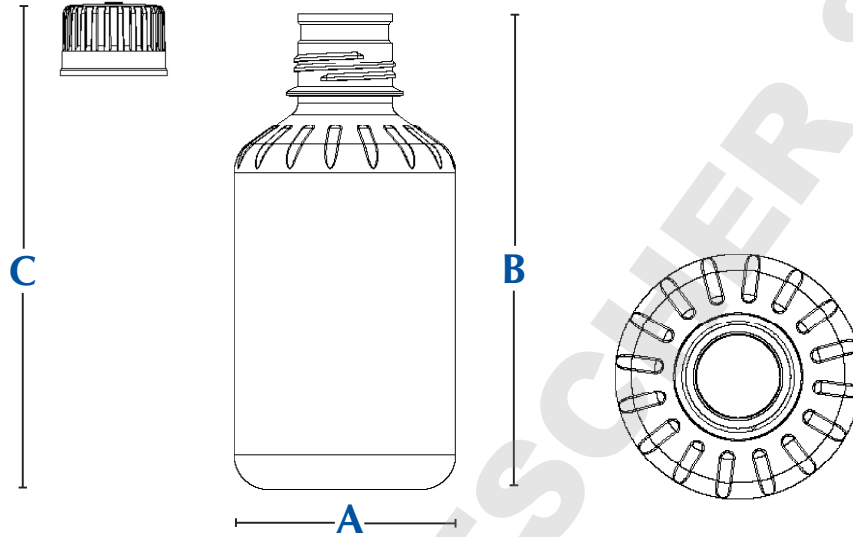




# Polycarbonate Boston Round Media Bottle

## DATA SHEET



	Catalog #	RPC1000	RPC0500	RPC0300
Bottle Dimension	Size / Volume	1000 ml	500 ml	300 ml
	A • Diameter	96.5 mm	81 mm	71 mm
	B • Height (w/o Cap)	215.5 mm	174.5 mm	141 mm
	C • Height (w/ Cap)	221.2 mm	180.2 mm	146.7 mm



TriForest Lexan® polycarbonate (PC) labware is a safer alternative to glass. It is ideal for steam sterilization of all biologicals, liquids, reagents, media, buffers and aqueous solutions. Manufactured in a Class 10K cleanroom in an ISO 9001 compliant facility with medical grade, virgin Lexan® polycarbonate resin that is durable, chemically inert, non-leaching, and optically superior. Our Boston round media bottles withstand repeated autoclaving, and are optimal for all microbial culture media production and preparation of terminally sterile fluids. Bottles are provided non sterile with standard blue autoclavable caps engaged in a multi-barrier elastomer packaging. Caps are available with custom color options on bulk orders.

TriForest Enterprises, Inc.

6 Chrysler, Irvine, CA 92618, USA | (888) 777-9956 | (949) 380-8866 | Fax: (949) 380-9955 | [www.triforest.com](http://www.triforest.com) | [info@triforest.com](mailto:info@triforest.com)

© Copyright of TriForest Enterprises, Inc. Vol. 1

# Polycarbonate Boston Round Media Bottle

## BOTTLE & CAP SPECIFICATIONS

Bottle Specification	Catalog #	RPC1000	RPC0500	RPC0300
	Overhead Space	20%		
	Transparent	YES		
	Leakproof	YES		
	Bottles Shrink Wrapped	YES		
	Screen Printed for Reference Measurements	YES		
	Sterile (Gamma Irradiation)	NO		
	Temperature Range	-125° to +125° C		

Sterilization	Autoclavable	YES		
	Maximum Autoclave Temperature	125° C		
	Autoclave Cycles	≤ 10		

Cap Specification	Size	38-430		
	Cap Type	Standard Seal Cap		
	Standard Color	Blue		
	Material	Polypropylene		
	Autoclavable	YES		

Packaging	Number of Bottles / Pack	12	12	24
	Number of Packs / Case	4	6	4
	Total Number of Bottles / Case	48	72	96
	Case Dimension (L x W x H inches)	24 x 17 x 19	20 x 13.5 x 22.5	23.5 x 18 x 13.5
	Case Dimension (L x W x H cm)	61 x 43 x 48	51 x 34 x 57	60 x 46 x 34
	Case Gross Weight	26 lb / 12 kg	19 lb / 8.7 kg	20 lb / 9 kg

Optional Accessories	Standard Sealed Cap Tamper Evident Cap Vented DuoCAP® Septum Cap Septum DuoCAP®	Tamper Evident Septum Cap Port Cap Kit
----------------------	---	---