

	<b>Life Sciences</b>	Document Number: <b>LSR00003</b>	Rev.: <b>5</b>
Description (Class): <b>Customer Technical Data Sheet – Multiwell TC Plates – 24 Well</b>		Page: <b>1 of 2</b>	

### Applications:

TC plates are used for the growth and study of cells in monolayer culture. A consistent Tissue Culture surface chemistry is produced using vacuum gas plasma treatment. This permanent modification of the growth surface incorporates negatively charged functional groups that create a hydrophilic (wetable) surface for cell attachment. The highly controlled vacuum gas plasma treatment creates a consistent well to well and plate to plate growth surface.

Corning® Primaria™ supports neuronal cells, primary cells, endothelial, and tumor cells which may exhibit suboptimal attachment or differentiation on traditional TC surfaces. This surface has a unique mixture of negatively charged oxygen-containing and positively charged nitrogen-containing functional groups on the polystyrene surface. The surface consistency of each lot is confirmed by electron spectroscopy chemical analysis (ESCA).

Corning BioCoat™ surfaces have been further enhanced (versus TC) with biological coatings of highly purified extracellular matrix (ECM) proteins for the culture of more complex cell models, including transformed cell lines, transfected cells, primary cells, and stem cells. These surfaces are designed to mimic *in vivo* environments and maximize cellular activities such as attachment, growth, and differentiation.

Corning PureCoat™ amine and carboxyl surfaces are for the culture of primary, transfected, transformed, and fastidious cells in standard, serum-free, and serum-reduced conditions. Both surfaces enable better attachment, increased proliferation, and enhanced post-thaw recovery, enabling you to improve your cell yield.

### Features:

- Available in individual recyclable PET tray or bulk packaged bags
- Deep wells hold 0.8 to 1.0 ml media
- Low Evaporation Lid
  - Unique labyrinth air passage system that provides a tortuous path for gas exchange to minimize the risk of contamination and evaporation.
- Individual condensation rings above each well to prevent cross contamination.
- Large writing patch
- Alpha-Numeric well Identification; individual well identification
- One-way lid to reduce cross contamination
- Peel-open, Medical Style Package assuring sterile product presentation.
- Plates with different well sizes can be stacked together for efficient utilization of incubator space.
- Serrated gripping panels
- Contact Product Manager for special packaging.

### Restrictions:

- In general, for use with aqueous reagents used for tissue culture.

### STERILITY:

Products are gamma irradiated.

### REGULATORY COMPLIANCE:

Falcon® products are manufactured under the current ISO 9001 and the current FDA Quality System Regulation 21 CFR Section 820.

Warranty/Disclaimer: Unless otherwise specified, all products are For Research Use Only. Not intended for use in diagnostic or therapeutic procedures.

For a listing of trademarks, visit [www.corning.com/lifesciences/trademarks](http://www.corning.com/lifesciences/trademarks).

© 2013 Corning Incorporated

All other trademarks in this document are the property of their respective owners.

Description (Class):  
**Customer Technical Data Sheet – Multiwell TC Plates – 24 Well**

Page:  
**2 of 2**

**Material:**

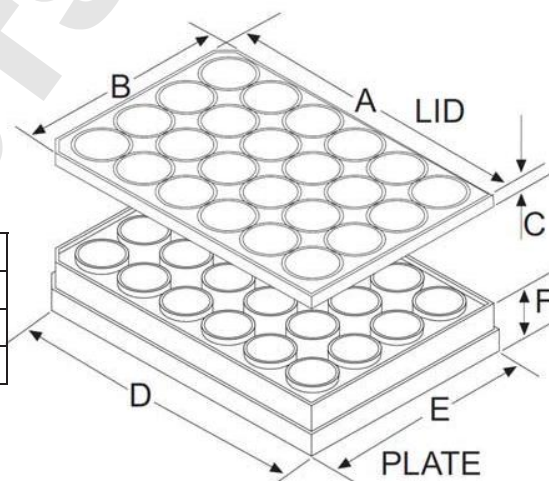
- Polystyrene (crystal grade)

Cat. No.	Type	Packaging
353047	TC Surface	50/case
353226	TC Surface	36/case
353935	TC Surface	60/case
353847	Corning® Primaria™	50/case
351147	Non-treated	50/case
358115	Non-treated	Bulk Package
354723	Corning PureCoat™, Amine	5/case
356723	Corning PureCoat, Amine	50/case
354775	Corning PureCoat, Carboxyl	5/case
356775	Corning PureCoat, Carboxyl	50/case
353504	Notched TC Plate, used w/inserts	50/case

**Dimensions = XXX mm (XXX inches)**

LID:		Notched 353504	All Other Cat. Nos.
Length	A	127.23 (5.009)	127.25 (5.010)
Width	B	85.14 (3.352)	85.14 (3.352)
Height	C	10.08 (.397)	10.08 (.397)

PLATE:		Notched 353504	All Other Cat. Nos.
Length	D	127.63 (5.025)	127.76 (5.030)
Width	E	85.47 (3.365)	85.47 (3.365)
Height	F	20.19 (.795)	20.19 (.795)



Markings: Alpha-Numerical  
Ht. w/lid on = 21.43 (.844)

WELL:	Notched 353504	All Other Cat. Nos.
Top Int. Diameter	16.30 (.642)	16.30 (.642)
Bot. Int. Diameter	15.49 (.610)	15.57 (.613)
Depth	17.98 (.700)	17.98 (.708)
Bottom area (growth)	1.883 sq. cm (.292 sq. in.)	1.90 sq. cm, (.2945 sq. in. per well)
Center to center	19.30 (.760)	19.30 (.760)
Bottom thickness	1.40 (.047)	1.19 (.047)
Volume of Media/well	0.8 to 1.0 ml	0.8 to 1.0 ml
Volume of Trypsin/well	0.08 to 0.10 ml	0.08 to 0.10 ml

Warranty/Disclaimer: Unless otherwise specified, all products are For Research Use Only. Not intended for use in diagnostic or therapeutic procedures.

For a listing of trademarks, visit [www.corning.com/lifesciences/trademarks](http://www.corning.com/lifesciences/trademarks).

© 2013 Corning Incorporated

All other trademarks in this document are the property of their respective owners.