

<b>CORNING</b>	<b>Life Sciences</b>	Document Number: <b>LSR00005</b>	Rev.: <b>5</b>
Description (Class): <b>Customer Technical Data Sheet – Microtest TC Plates – 96 Well – Flat Bottom</b>			Page: <b>1 of 2</b>

**Applications:**

Tissue Culture plates are used for the growth and study of cells in monolayer culture.

A consistent Tissue Culture surface chemistry is produced using vacuum gas plasma treatment. This permanent modification of the growth surface incorporates negatively charged functional groups that create a hydrophilic (wetable) surface for cell attachment. The highly controlled vacuum gas plasma treatment creates a consistent well to well and plate to plate growth surface.

**Features:**

- Available in individual recyclable PET tray or bulk packaged bags
- Deep wells hold 0.1 to 0.2 ml media
- Patented Low Evaporation Lid
  - Unique labyrinth air passage system that provides a tortuous path for gas exchange to minimize the risk of contamination and evaporation.
- Individual condensation rings above each well to prevent cross contamination.
- Large writing patch
- Alpha-Numeric well Identification
- One-way lid to reduce cross contamination
- Peel-open, Medical Style Package assuring aseptic product presentation.
- Available in Corning® Primaria™, an alternative TC surface incorporating positive charge for functional groups.
- Plates with different well sizes can be stacked together for efficient utilization of incubator space.
- Serrated gripping panels
- Contact Product Manager for special packaging.

**Restrictions:**

- In general, for use with aqueous reagents used for tissue culture.

**Sterility:**

Products are gamma irradiated.

**Regulatory Compliance:**

Falcon® products are manufactured under the current ISO 9001 and the current FDA Quality System Regulation 21 CFR Section 820.

Warranty/Disclaimer: Unless otherwise specified, all products are For Research Use Only. Not intended for use in diagnostic or therapeutic procedures.

For a listing of trademarks, visit [www.corning.com/lifesciences/trademarks](http://www.corning.com/lifesciences/trademarks).  
© 2013 Corning Incorporated

<b>CORNING</b>	<b>Life Sciences</b>	Document Number: <b>LSR00005</b>	Rev.: <b>5</b>
Description (Class): <b>Customer Technical Data Sheet – Microtest TC Plates – 96 Well – Flat Bottom</b>			Page: <b>2 of 2</b>

**Material:**

- Polystyrene (crystal grade)

**Catalog Number:**

Type	Cat. No.	Packout/ Description
TC Surface	353072	1/Tray, 50/Case w/lid (clear)
	353075	5/Bag, 50/Case w/lid (clear)
	353936	14/RS Tray, 84/Case (clear)
<b>Corning® Primaria™</b> Non-treated	<b>353872</b>	<b>1/Tray, 50/Case w/lid (clear)</b>
	351172	1/Tray, 50/Case w/lid (clear)

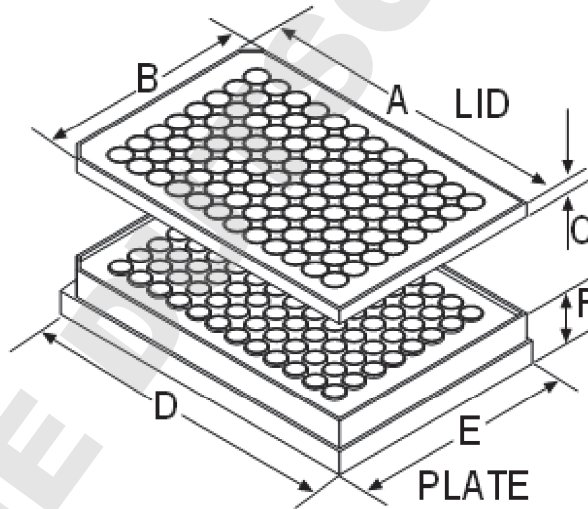
**Dimensions = XXX mm (XXX inches)**

**LID:**

Length: A = 127.10 (5.004)  
 Width: B = 85.03 (3.348)  
 Height: C = 10.03 (.395)

**PLATE:**

Length: D = 127.63 (5.025)  
 Width: E = 85.11 (3.351)  
 Height: F = 14.30 (.563)  
 Markings:  
 Alpha-Numerical  
 Ht. w/lid on = 15.54 (.563)



**WELL:**

Top Int. Diameter = 6.85 (.270)  
 Bot. Int. Diameter = 6.35 (.250)  
 Depth = 10.76 (.424)  
 Bottom area (growth) = 0.316 sq. cm, 0.049 sq. in.  
 Center to center = 8.99 (.354)  
 Bottom thickness = 1.11 (.044)  
 Volume of Media/well = 0.1 to 0.2 ml  
 Volume of Trypsin/well = 0.01 to 0.02 ml

Warranty/Disclaimer: Unless otherwise specified, all products are For Research Use Only. Not intended for use in diagnostic or therapeutic procedures.

For a listing of trademarks, visit [www.corning.com/lifesciences/trademarks](http://www.corning.com/lifesciences/trademarks).  
 © 2013 Corning Incorporated