	Life Sciences	Document Number: LSR00005	Rev.: 5
Description (Class): Customer Technical Data Sheet – Microtest TC Plates – 96 Well – Flat Bottom		Page: 1 of 2	

Applications:

Tissue Culture plates are used for the growth and study of cells in monolayer culture.

A consistent Tissue Culture surface chemistry is produced using vacuum gas plasma treatment. This permanent modification of the growth surface incorporates negatively charged functional groups that create a hydrophilic (wetable) surface for cell attachment. The highly controlled vacuum gas plasma treatment creates a consistent well to well and plate to plate growth surface.

Features:

- Available in individual recyclable PET tray or bulk packaged bags
- Deep wells hold 0.1 to 0.2 ml media
- Patented Low Evaporation Lid
 - Unique labyrinth air passage system that provides a tortuous path for gas exchange to minimize the risk of contamination and evaporation.
- Individual condensation rings above each well to prevent cross contamination.
- Large writing patch
- Alpha-Numeric well Identification
- One-way lid to reduce cross contamination
- Peel-open, Medical Style Package assuring aseptic product presentation.
- Available in Corning® Primaria™, an alternative TC surface incorporating positive charge for functional groups.
- Plates with different well sizes can be stacked together for efficient utilization of incubator space.
- Serrated gripping panels
- Contact Product Manager for special packaging.

Restrictions:

- In general, for use with aqueous reagents used for tissue culture.

Sterility:

Products are gamma irradiated.

Regulatory Compliance:

Falcon® products are manufactured under the current ISO 9001 and the current FDA Quality System Regulation 21 CFR Section 820.

Warranty/Disclaimer: Unless otherwise specified, all products are For Research Use Only. Not intended for use in diagnostic or therapeutic procedures.

For a listing of trademarks, visit www.corning.com/lifesciences/trademarks.
© 2013 Corning Incorporated

Description (Class):

Customer Technical Data Sheet – Microtest TC Plates – 96 Well – Flat BottomPage:
2 of 2**Material:**

- Polystyrene (crystal grade)

Catalog Number:

Type	Cat. No.	Packout/ Description
TC Surface	353072	1/Tray, 50/Case w/lid (clear)
	353075	5/Bag, 50/Case w/lid (clear)
	353936	14/RS Tray, 84/Case (clear)
	353872	1/Tray, 50/Case w/lid (clear)
Corning® Primaria™ Non-treated	351172	1/Tray, 50/Case w/lid (clear)

Dimensions = XXX mm (XXX inches)**LID:**

Length: A = 127.10 (5.004)

Width: B = 85.03 (3.348)

Height: C = 10.03 (.395)

PLATE:

Length: D = 127.63 (5.025)

Width: E = 85.11 (3.351)

Height: F = 14.30 (.563)

Markings:

Alpha-Numerical

Ht. w/lid on = 15.54 (.563)

WELL:

Top Int. Diameter = 6.85 (.270)

Bot. Int. Diameter = 6.35 (.250)

Depth = 10.76 (.424)

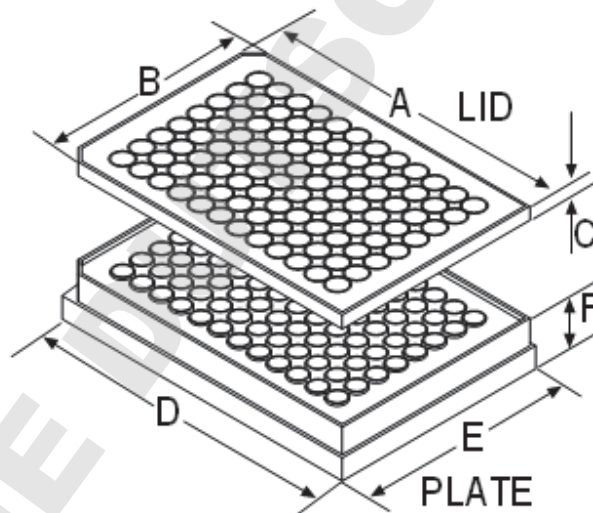
Bottom area (growth) = 0.316 sq. cm, 0.049 sq. in.

Center to center = 8.99 (.354)

Bottom thickness = 1.11 (.044)

Volume of Media/well = 0.1 to 0.2 ml

Volume of Trypsin/well = 0.01 to 0.02 ml



Warranty/Disclaimer: Unless otherwise specified, all products are For Research Use Only. Not intended for use in diagnostic or therapeutic procedures.

For a listing of trademarks, visit www.corning.com/lifesciences/trademarks.
© 2013 Corning Incorporated