	<b>Life Sciences</b>	Document Number: <b>LSR00067</b>	Rev.: <b>3</b>
<b>Description (Class):</b> <b>Reference, Customer Technical Data Sheet</b> <b>Cell Culture Flask, 75 cm<sup>2</sup> straight neck, plug seal cap</b>			Page: <b>1 of 2</b>

**APPLICATIONS:**

- Cell culture
- Sample or reagent storage

**FEATURES:**

**Polystyrene construction**

- Optically clear for easy viewing of sample or cells
- Stable from 4°C to 60°C

**Choice of surface for specific cell culture needs**

- Corning® Primaria™ treatment provides a net-negative charged surface heterogeneously composed of positively charged amino groups and negatively charged carboxyl groups
- Standard Tissue Culture (TC) treatment provides a homogeneous negatively charged surface composed of negatively charged carboxyl groups

**Two-position plug seal cap**

- Biologically inert, high density polyethylene provides a chemically resistant surface
- Cap can be loosely closed to allow gas exchange
- Further tightening snaps cap into sealed position that is liquid-tight
- A reference bar on the outside of the cap can be aligned with flask markings for precise incubation conditions

**Molded graduations along both sides of flasks**

- 10 to 50 mL in 10 mL increments
- 50 to 200 mL in 50 mL increments

**Prominent stacking rims along perimeter of upper and lower surfaces**

- Permits easy interlocked stacking in incubator or culture hood
- Flasks will not slip off one another while being transported

**Tissue culture-friendly packaging**

- Convenient reseal tab on the bag
- Innovative bag materials that will not scuff or scratch the flask surface
- Double-wall bags provide increased sterility assurance
- Medical-style peel-open bags guarantee that sterility is maintained as flasks are removed from the bag
- Recyclable bag material (low density polyethylene)

**STERILITY:**

Product is gamma irradiated.

**REGULATORY COMPLIANCE:**

Falcon® products are manufactured under the current ISO 9001 and ISO 13485 Standards, and the current FDA Quality System Regulation 21 CFR Section 820.

**RESTRICTIONS:**

- Refer to "Thermoplastics Properties Chart," available at:  
[http://catalog2.corning.com/Lifesciences/media/pdf/an\\_DL\\_226\\_Falcon\\_ThermoPlastics\\_Broch.pdf](http://catalog2.corning.com/Lifesciences/media/pdf/an_DL_226_Falcon_ThermoPlastics_Broch.pdf)

<b>CORNING</b>	<b>Life Sciences</b>	Document Number: <b>LSR00067</b>	Rev.: <b>4</b>
		Description (Class): <b>Reference, Customer Technical Data Sheet</b>	
<b>Cell Culture Flask, 75 cm<sup>2</sup> straight neck, plug seal cap</b>			

**Material:** Clear and Transparent Polystyrene

**Related Catalog Numbers:**

Cat. No.	Packout Description	Cap	Neck Style	Graduations	Surface
353024	5/Bag, 100/Case	Plug Seal	Straight	Numeric/molded	Standard TC
353824	5/Bag, 100/Case	Plug Seal	Straight	Numeric/molded	Standard TC

**Dimensions = mm (inches)**

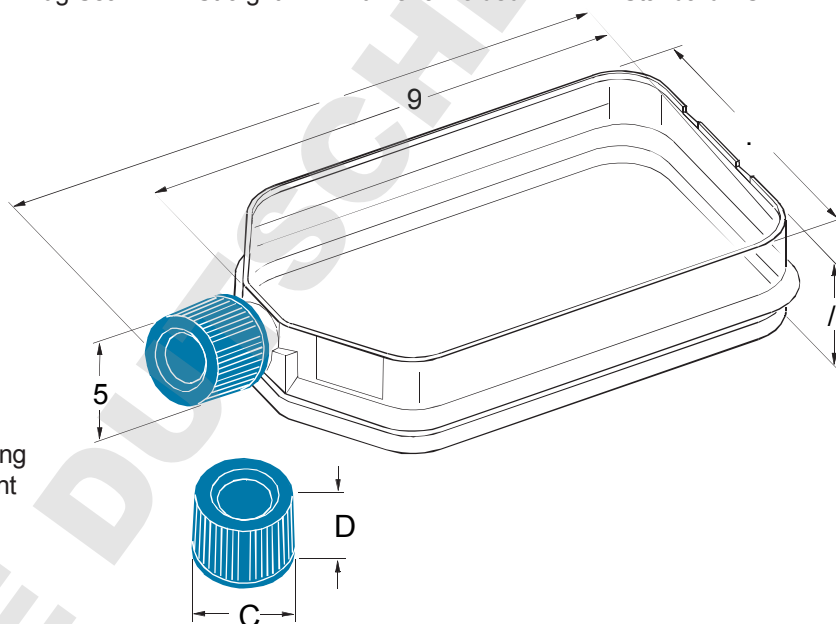
**FLASK**  
**A** = w/cap 150.69 (5.933)  
           w/o cap 148.66 (5.853)  
**B** = 80.92 (3.186)  
**C** = 36.67 (1.444)  
**D** = w/cap 38.10 (1.500)  
           w/o cap 36.68 (1.449)  
**E** = 127.38 (5.011)

**GROWTH AREA** = 75 cm<sup>2</sup>  
**VOLUME** = 250 mL

**NECK**  
**ID** = 17.40 (.685) at the opening  
           16.66 (.656) at body joint  
**Length** = 20.70 (.815)

**CAP, Material:** High Density Polyethylene

**F** = O.D. 25.40 (1.000)  
**G** = 21.68 (.853)



Warranty/Disclaimer: Unless otherwise specified, all products are for research use only. Not intended for use in diagnostic or therapeutic procedures.

For a listing of trademarks, visit [www.corning.com/lifesciences/trademarks](http://www.corning.com/lifesciences/trademarks).  
 © 2013 Corning Incorporated