

CORNING	Life Sciences	Document Number: LSR00062	Rev.: 3
Description (Class): Reference, Customer Technical Data Sheet Cell Culture Flask, 25 cm² canted neck, vented cap. Total Volume = 50 mL			Page: 1 of 2

APPLICATIONS:

- Cell culture
- Sample or reagent storage

FEATURES:

Polystyrene construction

- Optically clear for easy viewing of sample or cells
- Stable from 4°C to 60°C
- Available in Standard Tissue Culture (TC) (Cat. No. 353108) or Corning® Primaria™ (Cat. No. 353808)
- Frosted writing patch for easy labeling

Vented cap

- Biologically inert, high density polyethylene provides a chemically resistant surface
- 0.2 µm hydrophobic membrane allows gas exchange while maintaining sterility
- Hydrophobic membrane cannot be wetted out

Molded graduations along both sides of flasks

- Graduated in 5 mL increments to 40 mL
- Allows quick volume estimation

Prominent stacking rims along perimeter of upper and lower surfaces

- Permits easy interlocked stacking in incubator or culture hood
- Flasks will not slip off one another while being transported

Tissue culture-friendly packaging

- Convenient reseal tab on the bag.
- Innovative bag materials that will not scuff or scratch the flask surface
- Double-wall bags provide increased sterility assurance
- Medical-style peel-open bags guarantee that sterility is maintained as flasks are removed from the bag
 - Recyclable bag material (low density polyethylene)

STERILITY:

Product is gamma irradiated.

REGULATORY COMPLIANCE:

Falcon® products are manufactured under the current ISO 9001 and ISO 13485 Standards, and the current FDA Quality System Regulation 21 CFR Section 820.

RESTRICTIONS:

- Refer to "Thermoplastics Properties Chart," available at:
http://catalog2.corning.com/Lifesciences/media/pdf/an_DL_226_Falcon_ThermoPlastics_Broch.pdf

Description (Class):
Reference, Customer Technical Data Sheet
Cell Culture Flask, 25 cm² canted neck, vented cap. Total Volume = 50 mL

Material: Polystyrene

Related Catalog Numbers:

Cat. No.	Packout Description	Cap	Neck Style	Graduations	Surface
353108	20/bag, 100/case	Vented	Canted	Numeric/molded	Stand TC
353808	20/bag, 100/case	Vented	Canted	Numeric/molded	Corning® Primaria™ TC

Dimensions = mm (inches)

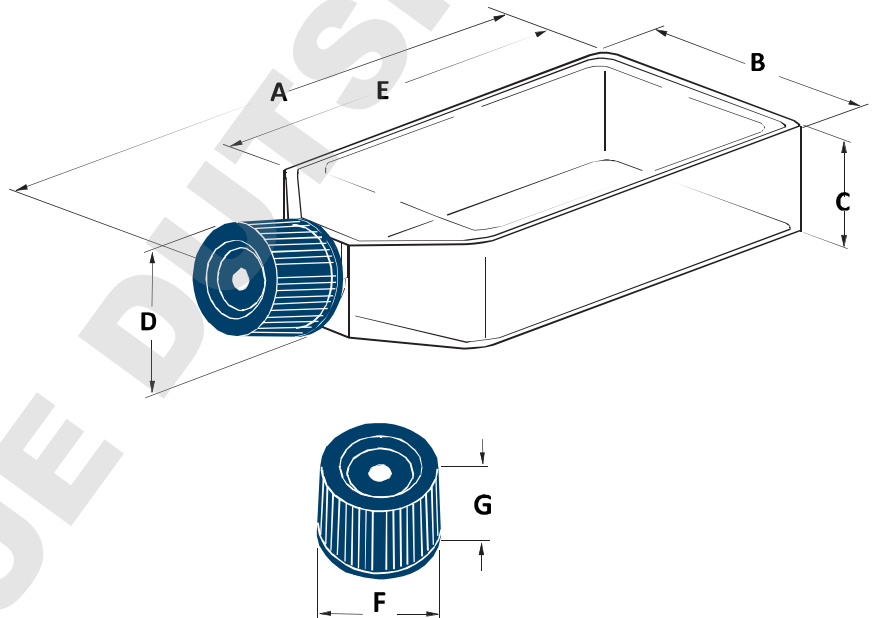
FLASK
A = w/cap 107.44 (4.230)
 w/o cap 102.82 (4.048)
B = 44.70 (1.760)
C = 26.13 (1.029)
D = w/cap 28.65 (1.128)
 w/o cap 26.18 (1.031)
E = 86.00 (3.386)

GROWTH AREA = 25 cm²
VOLUME = 50 mL

NECK
ID = 15.11 (.595)
Length = 16.30 (.642)

CAP, Material: High Density Polyethylene

F = O.D. 23.36 (.920)
G = 16.84 (.663)



Warranty/Disclaimer: Unless otherwise specified, all products are for research use only. Not intended for use in diagnostic or therapeutic procedures.