	Life Sciences	Document Number: LSR00138	Rev.: 4
Description (Class): Reference, Customer Technical Data Sheet 100x20 mm Optilux Dish			Page: 1 of 2

Applications:

- Growth of cells
- Unimpaired observation of dish contents
- Ideal for microphotography

Features:

- Flat, distortion free optics
- Lids designed for optimal gas exchange
- Stacking rings allow for easier stacking and handling
- Reliable vacuum-gas plasma treatment cleans and permanently and consistently modifies the cell-growth surface
- Non-pyrogenic
- Packaged in peel-open medical style bags
- Durable construction for stable dish manipulation

REGULATORY COMPLIANCE:

Falcon[®] products are manufactured under the current ISO 9001 and ISO 13485 Standards, and the current FDA Quality System Regulation 21 CFR Section 820.

STERILITY:

Product is gamma irradiated

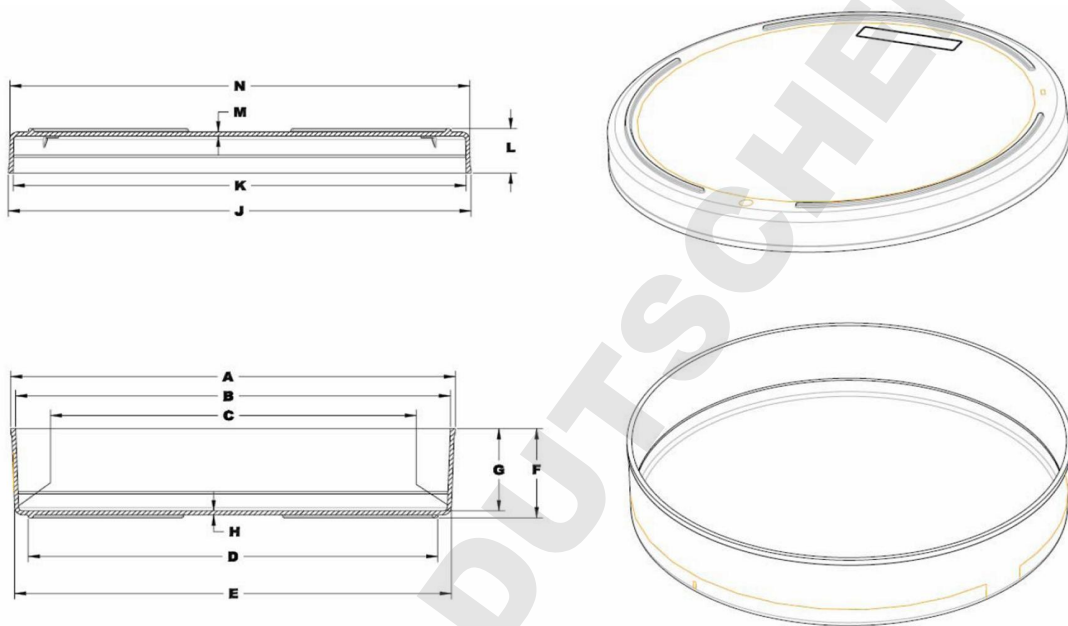
RESTRICTIONS:

Refer to "Thermoplastics Properties Chart," available at:
http://catalog2.corning.com/Lifesciences/media/pdf/an_DL_226_Falcon_ThermoPlastics_Broch.pdf

Description (Class):
Reference, Customer Technical Data Sheet
100x20 mm Optilux Dish

Page:
2 of 2

Growth Area: 58.95 cm²
Effective Growth Area: 58.1 cm²
Working Volume: 16.0-17.5 mL
Assembled Dish and Lid height: 20.23 mm
Material: Crystal Grade Polystyrene



Item	Cat. No.	Description	Dish and Key Dimensions												
			A	B	C	D	E	F	G	H	J	K	L	M	N
1	353003	100mm Standard Dishes. TC Treated. 20/sleeve, 200/case	89.54	87.45	86.26	81.53	87.91	19.2	17.91	0.89	93.19	91.16	9.54	0.89	92.73
2	353803	100mm Standard Dishes. Corning® Primaria™ TC. 20/sleeve, 200/case	89.54	87.45	86.26	81.53	87.91	19.2	17.91	0.89	93.19	91.16	9.54	0.89	92.73

Note: Dimensions are determined by measurement, engineering diagrams and/or mathematical derivation. They are for reference use only and considered nominal unless otherwise indicated.

Warranty/Disclaimer: Unless otherwise specified, all products are for research use only. Not intended for use in diagnostic or therapeutic procedures.

For a listing of trademarks, visit www.corning.com/lifesciences/trademarks.
 © 2013 Corning Incorporated