

<b>CORNING</b>	<b>Life Sciences</b>	Document Number: <b>LSR00001</b>	Rev.: <b>4</b>
Description (Class): <b>Customer Technical Data Sheet – Multiwell TC Plates – 6 Well</b>			Page: <b>1 of 2</b>

**Applications:**

A consistent Tissue Culture surface chemistry is produced using vacuum gas plasma treatment. This permanent modification of the growth surface incorporates negatively charged functional groups that create a hydrophilic surface for cell attachment. The highly controlled vacuum gas plasma treatment creates a consistent well to well and plate to plate growth surface.

**Features:**

- Available in individual recyclable PET tray or bulk packaged bags
- Deep Wells
- Low Evaporation Lid
  - Unique labyrinth air passage system that provides a tortuous path for gas exchange to minimize the risk of contamination and evaporation.
  - Individual condensation rings above each well to prevent cross contamination.
- Large writing patch
- Alpha-Numeric well Identification
- One-way lid to reduce cross contamination
- Peel-open, Medical Style Package assuring aseptic product presentation.
- Available in Corning® Primaria™, an alternative TC surface incorporating positive charge for functional groups.
- Plates with different well sizes can be stacked together for efficient utilization of incubator space.
- Serrated gripping panels
- Contact Product Manager for special packaging.

**Restrictions:**

- In general, for use with aqueous reagents used for tissue culture.

**STERILITY:**

Products are gamma irradiated.

**REGULATORY COMPLIANCE:**

Falcon® products are manufactured under the current ISO 9001 and the current FDA Quality System Regulation 21 CFR Section 820.

Warranty/Disclaimer: Unless otherwise specified, all products are For Research Use Only. Not intended for use in diagnostic or therapeutic procedures.

For a listing of trademarks, visit [www.corning.com/lifesciences/trademarks](http://www.corning.com/lifesciences/trademarks).

© 2013 Corning Incorporated

All other trademarks in this document are the property of their respective owners.

Description (Class):  
Customer Technical Data Sheet – Multiwell TC Plates – 6 Well

Page:  
2 of 2

**Material:**

- Polystyrene (crystal grade)

**Catalog Number:**

Type	Cat. No.	Packout/ Description
TC Surface	353046	1/Tray, 50/Case
	353224	6/Bag, 36/Case
	353934	10/RS Tray, 60/Case
Corning® Primaria™	353846	1/Tray, 50/Case
Non-treated	351146	1/Tray, 50/Case
Notched TC Plate, used w/inserts	353502	1/Tray, 50/Case

**Dimensions = XXX mm (XXX inches)****LID:**

Length: A = 127.20 (5.008)

Width: B = 85.14 (3.352)

Height: C = 10.03 (.305)

**PLATE:**

Length: D = 127.63 (5.025)

Width: E = 85.47 (3.365)

Height: F = 20.19 (.795)

**Markings:**

Alpha-Numerical

Ht. w/lid on = 21.43 (.844)

**WELL:**

Top Int. Diameter = 35.71  
(1.406)

Bot. Int. Diameter = 35.00 (1.378)

Depth = 17.65 (.695)

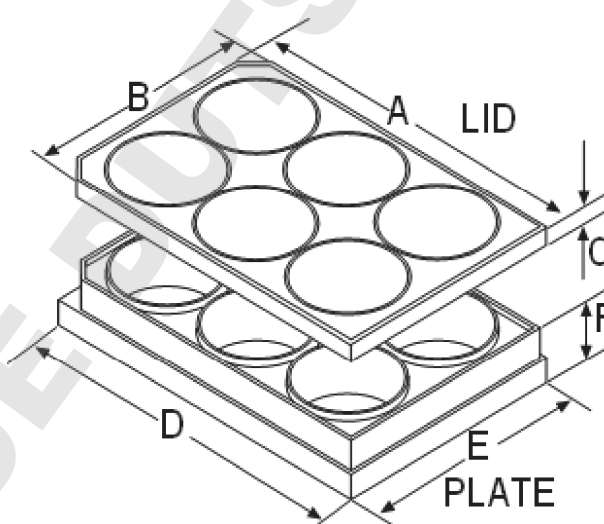
Bottom area (growth) = 9.619 cms, 1.491 ins

Center to center = 39.24 (1.545)

Bottom thickness = 1.52 (.060)

Volume of Media/well = 2.5 to 3.0 ml

Volume of Trypsin/well = .20 to .30 ml



Warranty/Disclaimer: Unless otherwise specified, all products are For Research Use Only. Not intended for use in diagnostic or therapeutic procedures.

For a listing of trademarks, visit [www.corning.com/lifesciences/trademarks](http://www.corning.com/lifesciences/trademarks).

© 2013 Corning Incorporated

All other trademarks in this document are the property of their respective owners.