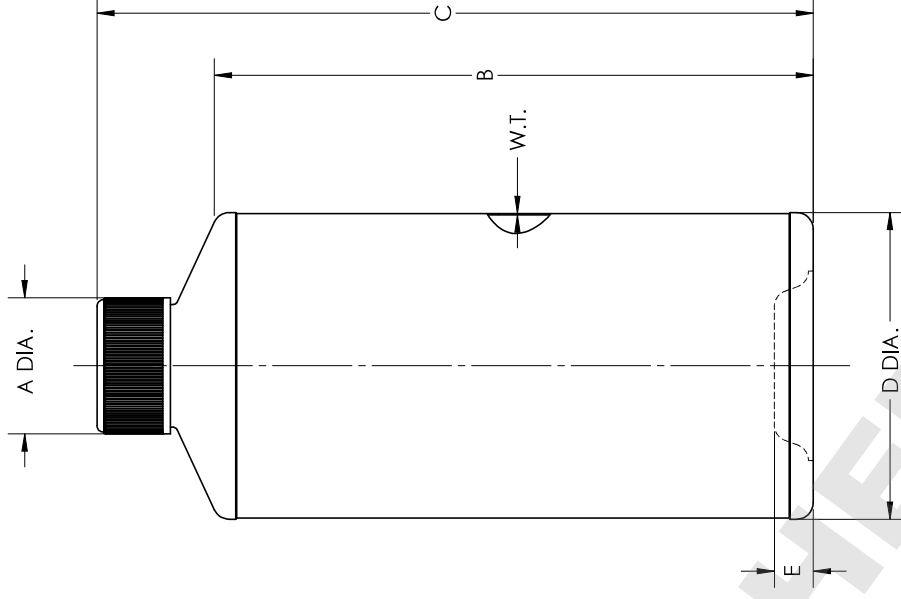


CATALOG NUMBER	CAP TYPE	PACKAGING	DOUBLE BAG
183302	EZ TWIST, VENTED	2 BTL'S PER BAG / 20 BTL'S PER BOX	NO
183355 (NO LOGO)	EZ TWIST, VENTED	2 BTL'S PER BAG / 20 BTL'S PER BOX	NO
184302	EZ TWIST	2 BTL'S PER BAG / 20 BTL'S PER BOX	NO
184344	EZ TWIST	20 BTL'S PER BAG / 20 BTL'S PER BOX	YES

GROWTH SURFACE AREA IN cm ²	850	
BOTTLE MATERIAL.....	CRYSTAL POLYSTYRENE	
CLOSURE MATERIAL.....	HDPE	
NOM. CAP.....	2000ml	
CLOSURE SIZE (mm).....	48	
	INCH	MM
A (CLOSURE O.D.).....	2.07	52.5
B (HT. TO SHOULDER).....	9.05	229.8
C (HT. W/ CLOSURE).....	10.9	276.9
D (DIA.).....	4.62	117.3
E (INDENT DEPTH).....	.75	19.1
W.T. (NOM. WALL THK.)..	.023	.58

1. ALL DIMENSIONS ARE NOMINAL AND IN INCHES AND MILLIMETERS UNLESS OTHERWISE NOTED.
2. THIS IS NOT A PRODUCTION DRAWING, BUT IS FOR INFORMATIONAL PURPOSES ONLY, AND IS SUBJECT TO CHANGE WITHOUT NOTICE.



SPECS ON BACK

NOT TO SCALE

ThermoFisher
S C I E N T I F I C

Thermo Fisher Scientific
75 Pancosma Creek Drive
Rochester, NY 14625-2385, USA

NAME TL BR
CID: PB 8/1/11
DESCRIPTION: PSS 18X3XX

REV: 0711

Nunc TufRol EZ Roller Bottles with shallow indent

CONFIDENTIAL

THIS PRODUCT SPECIFICATION SHEET CONTAINS CONFIDENTIAL AND/OR PROPRIETARY INFORMATION AND IS TO BE USED ONLY FOR THE EXPRESSED PURPOSES AGREED UPON BY AN AUTHORIZED OFFICER OF THERMO FISHER SCIENTIFIC.