	<b>Life Sciences</b>	Document Number: <b>LSR00155</b>	Rev.: <b>2</b>
<b>Description (Class):</b> <b>Reference, Customer Technical Data Sheet</b> <b>Cell Culture Flask, 225 cm<sup>2</sup> canted neck, plug seal cap</b>			Page: <b>1 of 2</b>

**APPLICATIONS:**

Cell culture

**FEATURES:**

**Low profile polystyrene construction**

- Designed for efficient stacking and effective use of incubator space
- Optically clear for easy viewing of sample or cells
- Stable from 4°C to 60°C
- Large frosted writing patch for easy labeling

**Two-position plug seal cap**

- Biologically inert, high density polyethylene provides a chemically resistant surface
- Cap can be loosely closed to allow gas exchange
- Further tightening snaps cap into sealed position that is liquid-tight
- A reference bar on the outside of the cap can be aligned with flask markings for precise incubation conditions
- Patented "Locking Incubation Position" prevents cap from falling off or closing while in the open position
- Precision engineered to spin on quickly

**Molded graduations**

- 50 to 200 mL in 25 mL increments
- 200 to 400 mL in 50 mL increments
- 100 mL maximum volume molded in horizontal position

**Prominent stacking rims along perimeter of upper and lower surfaces**

- Permits easy interlocked stacking in incubator or culture hood
- Flasks will not slip off one another while being transported

**Tissue culture-friendly packaging**

- Convenient reseal tab on the bag
- Innovative bag materials that will not scuff or scratch the flask surface
- Double-wall bags provide increased sterility assurance
- Medical-style peel-open bags guarantee that sterility is maintained as flasks are removed from the bag
- Recyclable bag material (low density polyethylene)

**STERILITY:**

Product is gamma irradiated.

**REGULATORY COMPLIANCE:**

Falcon® products are manufactured under the current ISO 9001 and ISO 13485 Standards, and the current FDA Quality System Regulation 21 CFR Section 820.

**RESTRICTIONS:**

- Refer to "Thermoplastics Properties Chart," available at:  
[http://catalog2.corning.com/Lifesciences/media/pdf/an\\_DL\\_226\\_Falcon\\_ThermoPlastics\\_Broch.pdf](http://catalog2.corning.com/Lifesciences/media/pdf/an_DL_226_Falcon_ThermoPlastics_Broch.pdf)

Description (Class):  
Reference, Customer Technical Data Sheet  
Cell Culture Flask, 225 cm<sup>2</sup> canted neck, plug seal cap

Page:  
**2 of 2**

**Material:** Crystal Grade Polystyrene

**Related Catalog Numbers:**

Cat. No.	Packout Description	Cap	Neck Style	Graduations	Surface
353139	5/Bag, 30/Case	Plug Seal	Canted	Numeric/Molded	Standard TC

**Dimensions** = mm (inches)

**FLASK**

A = w/cap 257.66 (10.144)  
w/o cap 249.35 (9.817)

B = 124.52 (4.903)

C = 42.49 (1.673)

D = w/cap 48.61 (1.914)  
w/o cap 44.36 (1.747)

E = 221.52 (8.721)

**GROWTH AREA** = 225 cm<sup>2</sup>

**WORKING VOLUME** = 60 – 100 mL

**TOTAL VOLUME** = 800mL

**NECK**

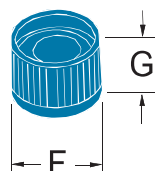
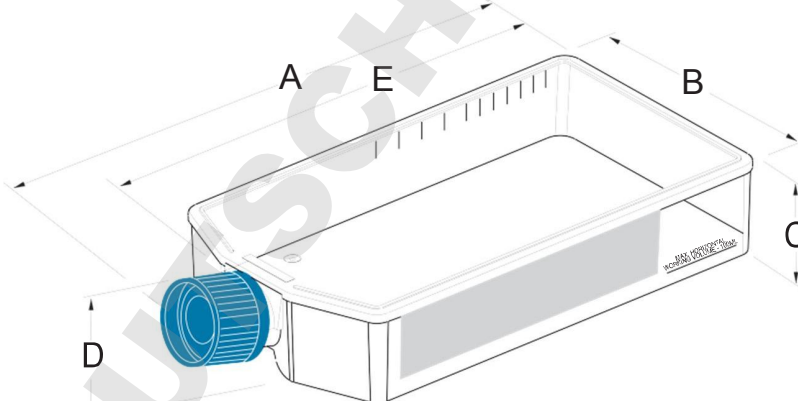
ID = 26.66 (1.049)

Length = 30.31 (1.193)

**CAP, Material:** Blue Concentrate Polypropylene

**G** = 23.74 (.935)

**F** = 0.0. 37.73 (1.485)



Warranty/Disclaimer: Unless otherwise specified, all products are for research use only. Not intended for use in diagnostic or therapeutic procedures.