

CORNING	Life Sciences	Document Number: LSR00071	Rev.: 6
Description (Class): Reference, Customer Technical Data Sheet Cell Culture Flask, 75 cm² canted neck, vented cap			Page: 1 of 2

APPLICATIONS:

Cell culture

FEATURES:

Polystyrene construction

- Optically clear for easy viewing of sample or cells
- Stable from 4°C to 60°C
- Frosted writing patch for easy labeling
- Tissue culture (TC)-treated to promote cell attachment

Vented cap

- Biologically inert, high density polyethylene provides a chemically resistant surface
- 0.2 µm hydrophobic membrane allows gas exchange while maintaining sterility
- Hydrophobic membrane cannot be wetted out

Molded graduations along both sides of flasks

- 20 to 100 mL in 10 mL increments
- 100 to 275 mL in 25 mL increments

Prominent stacking rims along perimeter of upper and lower surfaces

- Permits easy interlocked stacking in incubator or culture hood
- Flasks will not slip off one another while being transported

Tissue culture-friendly packaging

- Convenient reseal tab on the bag
- Innovative bag materials that will not scuff or scratch the flask surface
- Double-wall bags provide increased sterility assurance.
- Medical-style peel-open bags guarantee that sterility is maintained as flasks are removed from the bag
- Recyclable bag material (low density polyethylene)

STERILITY:

Product is gamma irradiated.

REGULATORY COMPLIANCE:

Falcon® products are manufactured under the current ISO 13485 Standards, and the current FDA Quality System Regulation 21 CFR Section 820.

RESTRICTIONS:

- Refer to "Thermoplastics Properties Chart," available at:
<https://www.corning.com/catalog/cls/documents/compatibility-guides/CLS-DL-AN-226.pdf>

Warranty/Disclaimer: Unless otherwise specified, all products are for research use only. Not intended for use in diagnostic or therapeutic procedures.

Description (Class):
Reference, Customer Technical Data Sheet
Cell Culture Flask, 75 cm² canted neck, vented cap

Page:
2 of 2

Material: Clear and Transparent Polystyrene

Related Catalog Numbers:

Cat. No.	Packout Description	Cap	Neck Style	Graduations	Surface
353136	5/Bag, 60/Case	Vented	Canted	Numeric/molded	Standard TC

Dimensions = mm (inches)

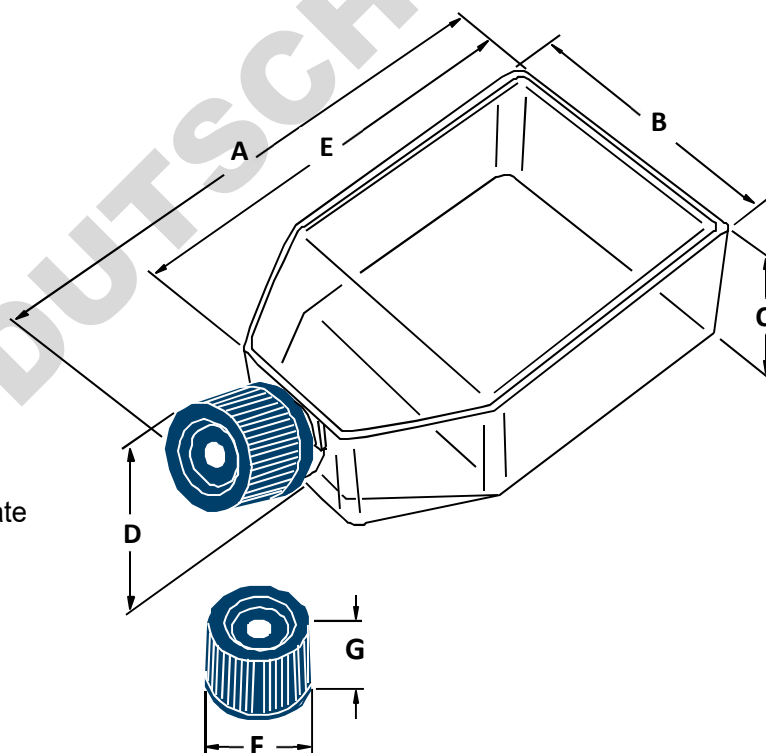
FLASK
A = w/cap 159.33 (6.273)
 w/o cap 157.27 (6.192)
B = 86.97 (3.424)
C = 38.15 (1.502)
D = w/cap 1.444 (36.67)
 w/o cap 1.444 (36.67)
E = 130.51 (5.138)

GROWTH AREA = 75 cm²
VOLUME = 250 mL

NECK
ID = 22.96 (.904)
Length = 25.40 (1.000)

CAP, Material: High Density Polyethylene Concentrate

F = O.D. 30.99 (1.222)
G = 21.59 (.850)



Warranty/Disclaimer: Unless otherwise specified, all products are for research use only. Not intended for use in diagnostic or therapeutic procedures.