

CORNING	Life Sciences	Document Number: LSR00153	Rev.: 2
Description (Class): Reference, Customer Technical Data Sheet Cell Culture Flask, 75 cm² canted neck, plug seal cap			Page: 1 of 2

APPLICATIONS:

Cell culture

FEATURES:

Polystyrene construction

- Optically clear virgin Polystyrene for easy viewing of sample or cells
- Vacuum-gas plasma tissue-culture treated for consistent cell attachment, spreading and growth

Choice of surface

- Tissue culture-treated plastic (TC) provides a hydrophilic surface to promote cell attachment (Cat. No. 353135)
- Untreated plastic is hydrophobic. Ideal for nonadherent cell cultures (Cat. No. 353133)

Two-position plug seal cap

- Biologically inert, high density polyethylene provides a chemically resistant surface
- Cap can be loosely closed to allow gas exchange
- Further tightening snaps cap into sealed position that is liquid-tight
- A reference bar on the outside of the cap can be aligned with flask markings for precise incubation conditions

Molded graduations along both sides of flasks

- 20 to 100 mL in 10 mL increments
- 100 to 275 mL in 25 mL increments

Prominent stacking rims along perimeter of upper and lower surfaces

- Permits easy interlocked stacking in incubator or culture hood
- Flasks will not slip off one another while being transported

Tissue culture-friendly packaging

- Convenient reseal tab on the bag.
- Innovative bag materials that will not scuff or scratch the flask surface.
- Double-wall bags provide increased sterility assurance.
- Medical-style peel-open bags guarantee that sterility is maintained as flasks are removed from the bag.
- Recyclable bag material (low density polyethylene)

STERILITY:

Product is gamma irradiated.

REGULATORY COMPLIANCE:

Falcon® products are manufactured under the current ISO 9001 and ISO 13485 Standards, and the current FDA Quality System Regulation 21 CFR Section 820.

RESTRICTIONS:

- Refer to "Thermoplastics Properties Chart," available at:
- http://catalog2.corning.com/Lifesciences/media/pdf/an_DL_226_Falcon_ThermoPlastics_Broch.pdf

CORNING	Life Sciences	Document Number: LSR00153	Rev.: 2
Description (Class): Reference, Customer Technical Data Sheet Cell Culture Flask, 75 cm ² canted neck, plug seal cap			Page: 2 of 2

Material: Polystyrene

Related Catalog Numbers:

Cat. No.	Packout	Cap	Neck Style	Graduations	Surface
353133	5/Bag, 60/Case	Plug Seal	Canted	Numeric/molded	Non-treated
353135	5/Bag, 60/Case	Plug Seal	Canted	Numeric/molded	Standard TC

Dimensions = mm (inches)

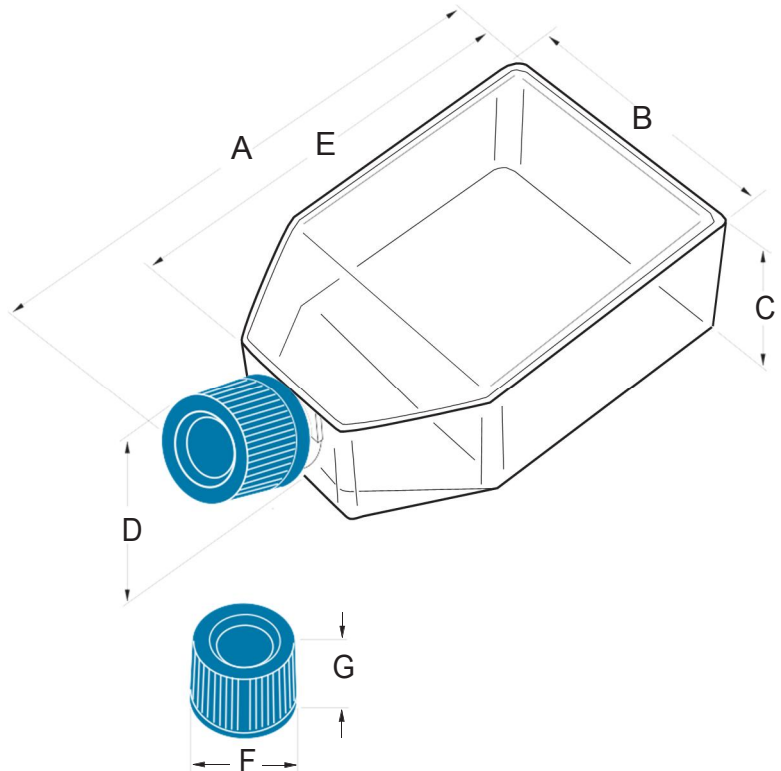
FLASK
A = w/cap 159.33 (6.273)
 w/o cap 157.27 (6.192)
B = 88.60 (3.488)
C = 38.15 (1.502)
D = w/cap 41.5 (1.633)
 w/o cap 38.6 (1.520)
E = 131.32 (5.170)

GROWTH AREA = 75 cm²
VOLUME = 250 mL

NECK
 ID = 22.96 (.904)
 Length = 25.40 (1.000)

CAP, Material: High Density Polyethylene
 with Color Concentrate

G = 21.59 (.850)
F = O.D. 30.99 (1.220)



Warranty/Disclaimer: Unless otherwise specified, all products are for research use only. Not intended for use in diagnostic or therapeutic procedures.