

CORNING	Life Sciences	Document Number: LSR00068	Rev.: 5
Description (Class): Reference, Customer Technical Data Sheet Cell Culture Flask, 25 cm² straight neck, vented cap			Page: 1 of 2

APPLICATIONS:

Cell culture

FEATURES:

Polystyrene construction

- Optically clear for easy viewing of sample or cells
- Stable from 4°C to 60°C
- Frosted writing patch for easy labeling

Choice of surface for specific cell culture needs

- Corning® Primaria™ treatment provides a net-negative charged surface heterogeneously composed of positively charged amino groups and negatively charged carboxyl groups
- Standard Tissue Culture (TC) treatment provides a homogeneous negatively charged surface composed of negatively charged carboxyl groups

Vented cap

- Biologically inert, high density polyethylene provides a chemically resistant surface
- 0.2 µm hydrophobic membrane allows gas exchange while maintaining sterility
- Hydrophobic membrane cannot be wetted out

Molded graduations along both sides of flasks

- 10 to 50 mL in 10 mL increments
- 50 to 200 mL in 50 mL increments

Prominent stacking rims along perimeter of upper and lower surfaces

- Permits easy interlocked stacking in incubator or culture hood
- Flasks will not slip off one another while being transported

Tissue culture-friendly packaging

- Convenient reseal tab on the bag
- Innovative bag materials that will not scuff or scratch the flask surface
- Double-wall bags provide increased sterility assurance
- Medical-style peel-open bags guarantee that sterility is maintained as flasks are removed from the bag
- Recyclable bag material (low density polyethylene)

STERILITY:

Product is gamma irradiated.


REGULATORY COMPLIANCE:

Falcon® products are manufactured under the current ISO 13485 Standards, and the current FDA Quality System Regulation 21 CFR Section 820.

RESTRICTIONS:

- Refer to "Thermoplastics Properties Chart," available at:
<https://www.corning.com/catalog/cls/documents/compatibility-guides/CLS-DL-AN-226.pdf>

Warranty/Disclaimer: Unless otherwise specified, all products are for research use only. Not intended for use in diagnostic or therapeutic procedures.

	Life Sciences	Document Number: LSR00068	Rev.: 5
		Description (Class): Reference, Customer Technical Data Sheet Cell Culture Flask, 75 cm² straight neck, vented cap	

Material: Clear and Transparent Polystyrene

Related Catalog Numbers:

Cat. No.	Packout Description	Cap	Neck Style	Graduations	Surface
353110	5/Bag, 100/Case	Vented	Straight	Numeric/molded	Standard TC
353810	5/Bag, 100/Case	Vented	Straight	Numeric/molded	Corning® Primaria™ TC

Dimensions = mm (inches)

FLASK

A = w/cap 150.69 (5.933)
w/o cap 148.66 (5.853)

B = 80.92 (3.186)

C = 36.67 (1.444)

D = w/cap 38.10 (1.500)
w/o cap 36.68 (1.449)

E = 127.38 (5.011)

GROWTH AREA = 75 cm²
VOLUME = 250 mL

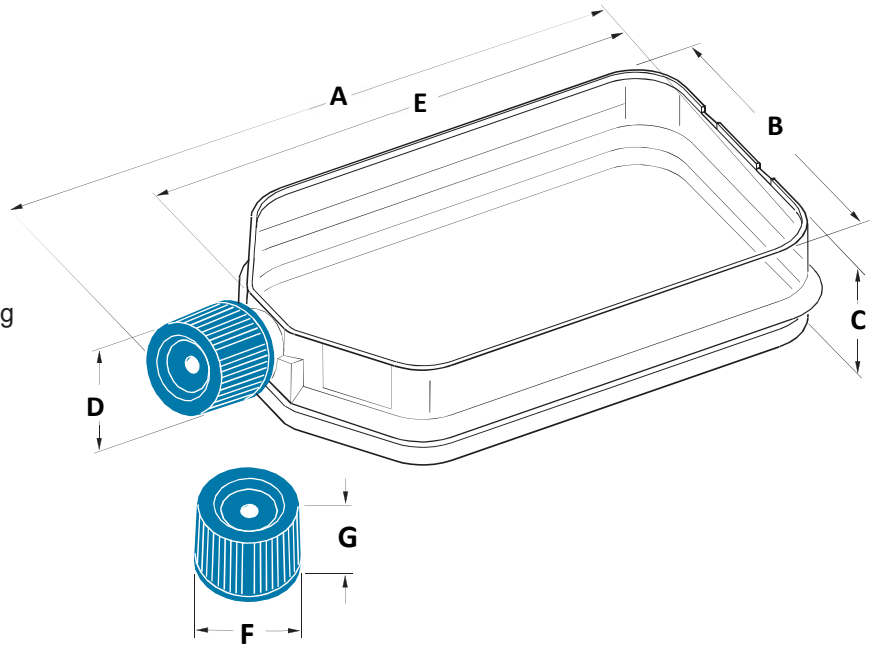
NECK

ID = 17.40 (.685) at the opening
16.66 (.656) at body joint

Length = 20.70 (.815)

CAP, Material: High Density Polyethylene

F = O.D. 25.40 (1.000)
G = 21.68 (.853)



Warranty/Disclaimer: Unless otherwise specified, all products are for research use only. Not intended for use in diagnostic or therapeutic procedures.

For a listing of trademarks, visit www.corning.com/clstrademarks. All other trademarks are the property of their respective owners.
© 2013-2019 Corning Incorporated. All rights reserved.