	Life Sciences	Document Number: LSR00002	Rev.: 4
Description (Class): Customer Technical Data Sheet - Multiwell TC Plates – 12 Well		Page: 1 of 2	

Applications:

TC plates are used for the growth and study of cells in monolayer culture.

A consistent Tissue Culture surface chemistry is produced using vacuum gas plasma treatment. This permanent modification of the growth surface incorporates negatively charged functional groups that create a hydrophilic (wetable) surface for cell attachment. The highly controlled vacuum gas plasma treatment creates a consistent well to well and plate to plate growth surface.

Features:

- Available in individual recyclable PET tray or bulk packaged bags
- Deep wells hold 1.5 to 2.2 ml media
- Low Evaporation Lid
 - Unique labyrinth air passage system that provides a tortuous path for gas exchange to minimize the risk of contamination and evaporation.
- Individual condensation rings above each well to prevent cross contamination.
- Large writing patch
- Alpha-Numeric well Identification
- One-way lid to reduce cross contamination
- Peel-open, Medical Style Package assuring sterile product presentation.
- Plates with different well sizes can be stacked together for efficient utilization of incubator space.
- Serrated gripping panels
- Contact Product Manager for special packaging.

Restrictions:

- In general, for use with aqueous reagents used for tissue culture.

STERILITY:

Products are gamma irradiated.

REGULATORY COMPLIANCE:

Falcon® products are manufactured under the current ISO 9001 and the current FDA Quality System Regulation 21 CFR Section 820.

Warranty/Disclaimer: Unless otherwise specified, all products are For Research Use Only. Not intended for use in diagnostic or therapeutic procedures.

For a listing of trademarks, visit www.corning.com/lifesciences/trademarks.
© 2013 Corning Incorporated

Material:

- Polystyrene (crystal grade)

Catalog Number:

Type	Cat. No.	Packout/ Description
TC Surface	353043	1/Tray, 50/Case
	353225	6/Bag, 36/Case
Non-treated	351143	1/Tray, 50/Case
Notched TC Plate, used w/inserts	353503	1/Tray, 50/Case

Dimensions = XXX mm (XXX inches)

LID:

Length: A = 127.20 (5.008)

Width: B = 85.14 (3.352)

Height: C = 10.03 (.305)

PLATE:

Length: D = 127.63 (5.025)

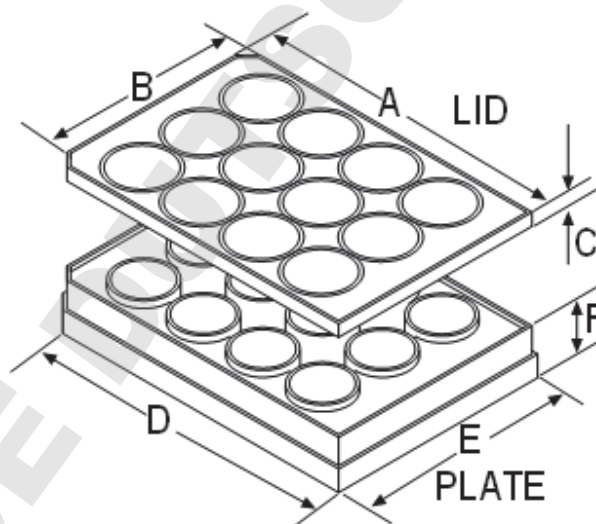
Width: E = 85.47 (3.365)

Height: F = 20.19 (.795)

Markings:

Alpha-Numerical

Ht. w/lid on = 21.43 (.844)



WELL:

Top Int. Diameter = 22.75 (.896)

Bot. Int. Diameter = 22.09 (.870)

Depth = 17.65 (.695)

Bottom area (growth) = 3.832 sq. cm, .594 sq. in.

Center to center = 26.00 (1.024)

Bottom thickness = 1.52 (.060)

Volume of Media/well = 1.5 to 2.2 ml

Volume of Trypsin/well = .10 to .20 ml

Warranty/Disclaimer: Unless otherwise specified, all products are For Research Use Only. Not intended for use in diagnostic or therapeutic procedures.

For a listing of trademarks, visit www.corning.com/lifesciences/trademarks.

© 2013 Corning Incorporated