

CORNING	Life Sciences	Document Number: LSR00139	Rev.: 5
Description (Class): Reference, Customer Technical Data Sheet 60 mm Easy Grip Dish			Page: 1 of 2

APPLICATIONS:

- Growth of cells.
- Unimpaired observation of dish contents.
- Ideal for microphotography.

FEATURES:

- Flat, distortion free optics.
- Lids designed for optimal gas exchange.
- Stacking rings allow for easier stacking and handling.
- Frosted rim improves the handling of the dish. This feature facilitates the ability to pick up the dish without accidentally removing the lid to guarantee aseptic manipulation.
- Reliable vacuum-gas plasma treatment cleans and permanently and consistently modifies the cell-growth surface.
- Non-pyrogenic
- Packaged in peel-open medical-style bags.
- Durable construction for stable dish manipulation

REGULATORY COMPLIANCE:

Falcon® products are manufactured under the current ISO 13485 Standards, and the current FDA Quality System Regulation 21 CFR Section 820.

STERILITY:

Product is gamma irradiated

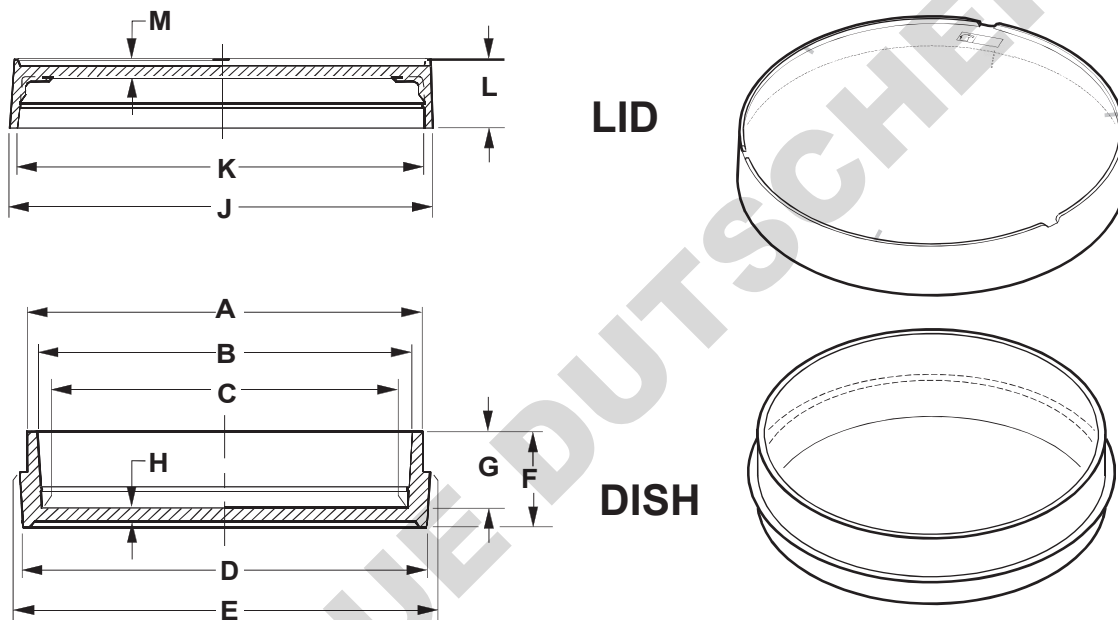
RESTRICTIONS:

- Refer to "Thermoplastics Properties Chart," available at:
<https://www.corning.com/catalog/cls/documents/compatibility-guides/CLS-DL-AN-226.pdf>

Warranty/Disclaimer: Unless otherwise specified, all products are for research use only. Not intended for use in diagnostic or therapeutic procedures.

All dimensions in millimeters (mm)

- Assembled Dish and Lid height: 14.94 mm
- Effective growth area = 19.6 cm²
- Working Volume = 6.0 - 7.0 mL
- Actual growth area: 19.5 cm²



MATERIAL: CRYSTAL-GRADE POLYSTYRENE

ITEM	BDL CAT. NO.	DESCRIPTION	DISH AND LID KEY DIMENSIONS											
			A	B	C	D	E	F	G	H	J	K	L	M
1	353004	60mm Easy Grip Dish. Standard TC. 20/sleeve, 500/case	52.10	50.47	49.86	52.74	53.95	13.13	11.17	.97	54.74	53.11	7.37	.81

Warranty/Disclaimer: Unless otherwise specified, all products are for research use only. Not intended for use in diagnostic or therapeutic procedures.