

CORNING	Life Sciences	Document Number: LSR00159	Rev.: 5
Description (Class): Reference, Customer Technical Data Sheet Cell Strainers			Page: 1 of 2

Applications:

- Straining cells to obtain a more uniform single-cell suspension from tissues and cell clumps.
 - Examples include:
 - Preparation of a single-cell suspension of blood cells from marrow, pancreas, thymus, tonsil, and lymph nodes
 - Preparation of cell culturing specimens (primary cell culturing)
 - Preparation of cells as immunogens
 - Preparation of cell culturing materials for freezing stocks
 - Filtering agglutinative proteins produced in inactivation serum
- Faster and easier alternative to gauze filtration in procedures involving dissociation of cells from either clumps or primary tissues

Features:

- Three Nylon mesh pore sizes (40, 70 and 100 µm) for optimal performance in a variety of applications
- Sterilized and conveniently accessible in individual packaging
- Extended lip on strainer enables aseptic handling with forceps
- Molded color-coded polypropylene frame with tab enables easy handling
- Fits into 50 mL Corning® and Falcon® Conical Tubes

STERILITY:

Products are gamma irradiated.

REGULATORY COMPLIANCE:

Corning and Falcon products are manufactured under the current ISO 13485 and the current FDA Quality System Regulation 21 CFR Section 820.

Warranty/Disclaimer: Unless otherwise specified, all products are for research use only. Not intended for use in diagnostic or therapeutic procedures.

Description (Class):
**Reference, Customer Technical Data Sheet
Cell Strainers**

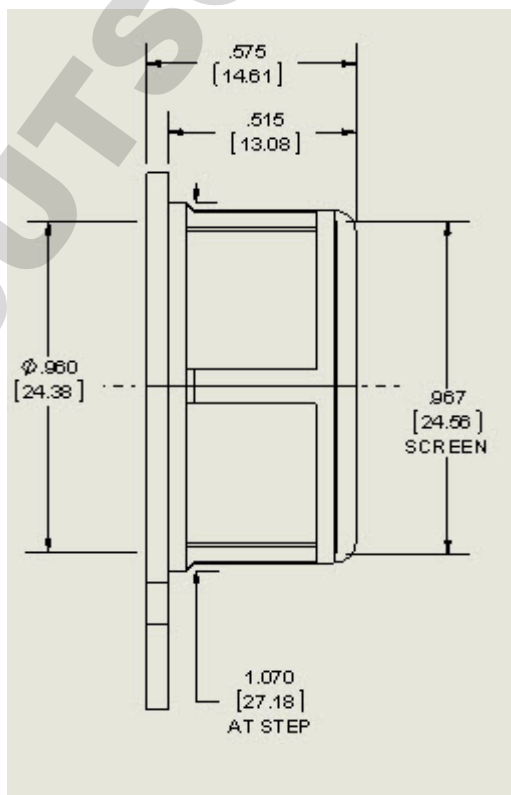
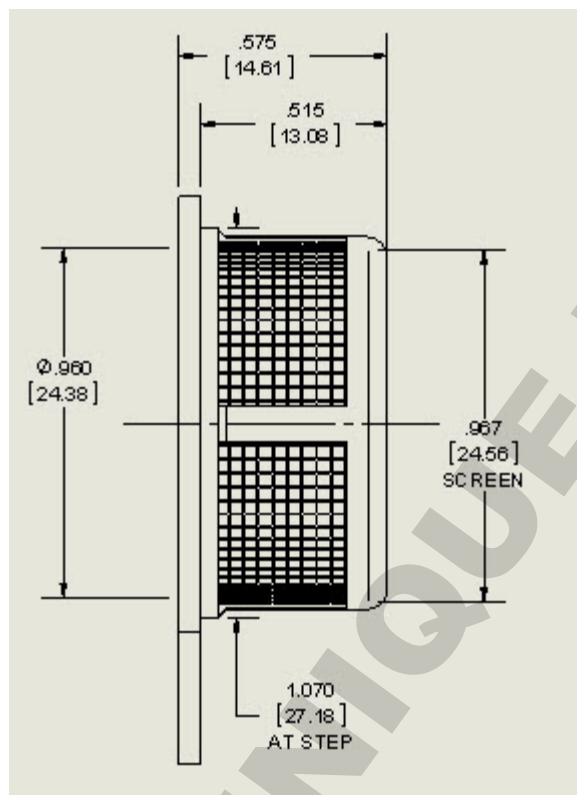
Page:
2 of 2

Material: Polypropylene with a Nylon mesh

Related Catalog Numbers:

Cat. No.	Packout Description	Mesh Size/Color
352340 / 431750	1/bag, 50/case	40 µm/Blue
352350 / 431751	1/bag, 50/case	70 µm/White
352360 / 431752	1/bag, 50/case	100 µm/Yellow

Dimensions are "Typical" in mm (inches)



Warranty/Disclaimer: Unless otherwise specified, all products are for research use only. Not intended for use in diagnostic or therapeutic procedures.

For a listing of trademarks, visit www.corning.com/clstrademarks. All other trademarks are the property of their respective owners.
© 2013-2018 Corning Incorporated. All rights reserved.