

CORNING	Life Sciences	Document Number: LSR00042	Rev.: 8
Description (Class): Reference, Customer Technical Data Sheet – Conical Centrifuge Tubes, 50 mL PP w/cap			Page: 1 of 2

APPLICATIONS:

- Cell centrifugation: pelleting; separation by density gradients.
- Molecular biology: e.g. centrifugation or pelleting bacterial cells for DNA isolation; purification and precipitation of nucleic acids.
- Sample storage (ambient temperature to -80°C)
- Centrifugation of precipitates.

FEATURES:

Strong, clarified polypropylene

- Chemically resistant to alcohols and mild organic solvents (not recommended for extraction procedures).
- Hydrophobic, biologically inert surface for good cell or protein recovery.
- Translucent wall permits easy viewing of tube contents.
- Stable from -80°C to +121°C.
- Tested to withstand centrifugation of 16,000 RCF in a fully supported rotor with room temperature water. For specific test conditions and additional guidance on high speed centrifugation, see rotor/adaptor selection guide CLS-DL-CC-083 at http://catalog2.corning.com/Lifesciences/media/pdf/an_DL_083_Rotor_Adaptor_Selection%20Guide_Falcon_Tubes.pdf

Conical Design

- Fits most standard floor model and table-top centrifuges, including many biohazard contained models.

Flat screw-top cap

- Biologically inert, high density polyethylene provides a chemically resistant surface.
- Double threaded to reduce cross-threading.

Dark blue graduations in 5 mL increments

- Plainly visible with either clear or turbid samples.
- Solvent resistant printing will not rub off.

White writing area

- Facilitates sample identification.
- Solvent resistant - will not rub off during routine laboratory procedures.
- Compatible with Sharpie®

Available in racked or bulk packaging configurations

- Recyclable polystyrene racks offer convenience of oriented product presentation.
 - Racks include viewing window slots, so samples can be viewed without removing tubes from rack.
 - Rack positions are numbered for easy identification of tube locations.
 - Racks are easily stackable.
- Bulk packaging uses 40% less packaging material, an environmentally friendly alternative.
- Both configurations feature a medical-grade, peel-open format for aseptic presentation of sterile tubes

STERILITY:


Product is gamma irradiated.

REGULATORY COMPLIANCE:

Falcon® products are manufactured under the current ISO 9001 and the current FDA Quality System Regulation 21 CFR Section 820.

RESTRICTIONS:

- Refer to Centrifuge Tube Chemical Resistance Chart at: http://catalog2.corning.com/Lifesciences/media/pdf/an_DL_082_Falcon_Tube_Pipet_Cultureware_Chemical_Resistance_Chart.pdf
- Refer to "Thermoplastics Properties Chart," available at: http://catalog2.corning.com/Lifesciences/media/pdf/an_DL_226_Falcon_ThermoPlastics_Broch.pdf

	Life Sciences	Document Number:	Rev.:
		LSR00042	8
Description (Class): Reference, Customer Technical Data Sheet – Conical Centrifuge Tubes, 50 mL PP w/cap			Page: 2 of 2

Material: Clarified Polypropylene

Related Catalog Numbers:

<u>Cat. No.</u>	<u>Packout Description</u>	<u>Cap</u>	<u>Sterile</u>	<u>Graduations</u>	<u>Wr. Patch</u>	<u>Rack</u>
352070	25/Bag, 500/Case	Plug Seal	Yes	Printed	Yes	No
352098	25/Rack, 500/Case	Plug Seal	Yes	Printed	Yes	Yes

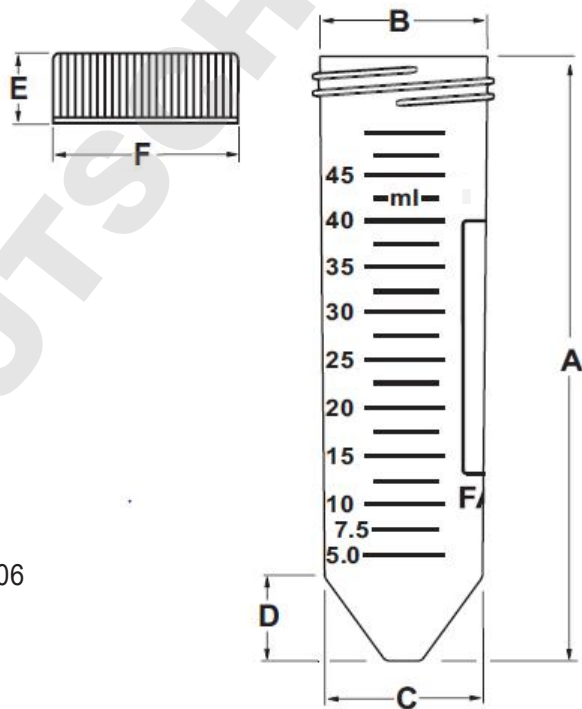
Dimensions = mm (inches)

- TUBE**
- A** = 114.55 (4.510)
 - B** = O.D. 29.72 (1.170)
 - C** = O.D. 27.94 (.1.100)
 - D** = 16.00 (.630)
 - Tube height w/cap = 115.80 (4.56)
 - Top I.D. at rim = 27.81 (.1.095)
 - O.D. at thread = 31.50 (.1.240)
 - Bottom I.D. = 6.15 (.242)
 - Bottom angle = 70 degrees
 - Min. wall thickness = .97 (.038)
 - Nominal volume = 50 mL
 - RCF ratings = 16,000xg

- Chem. Compatibility: See Chemical Resistance Chart
- Threads to fit special cap design

- CAP**
- 33 mm Polyethylene Threaded. Cat. No. 358206
 - Material: Blue HDPE
 - E** = 13.21 (.520)
 - F** = O.D. 34.75 (.1.358)
 - I.D. (bottom) = 31.65 (.1.368)

Threads are designed to fit Falcon® Tubes only.



Warranty/Disclaimer: Unless otherwise specified, all products are for research use only. Not intended for use in diagnostic or therapeutic procedures.