

| | | | |
|--|----------------------|-------------------------------------|------------------------|
| CORNING | Life Sciences | Document Number: LSR00012 | Rev.: 6 |
| Description (Class): Reference, Customer Technical Data Sheet – Conical Centrifuge Tubes, 225 mL | | | Page: 1 of 2 |

APPLICATIONS:

- Tissue culture: e.g., Centrifugation of live cells after trypsinization.
- Molecular biology: e.g., Centrifugation or pelleting bacterial cells for DNA isolation; purification and precipitation of nucleic acids; or clarifying large volume solutions.

FEATURES:

Large volume centrifuge tubes

- Provides a transition between 50 mL tubes and 1L bottles
- Fits most standard floor model and table-top centrifuges, including many biohazard-containment models

Easy pour design

- Sloped shoulder and 32 mm neck permit complete decantation.

Strong, optical quality polypropylene

- Provides chemical resistance to strong/weak acids and bases, and most organic solvents.
- Hydrophobic, biologically inert surface.
- Transparent wall permits easy viewing of tube contents.
- Stable from -196°C to +121°C, recommended working temperature of 4°C to 40°C
- Can withstand centrifugal forces up to 7500 x g

Plug seal cap (32 mm)

- Plug seal design provides a secure seal, with easy opening and closing.
- Biologically inert, high density polyethylene provides a chemically resistant surface.

Graduated in 10 mL increments

- Permits volume and pellet size assessment

Tube cushions

- Designed to fit both 225 mL and 175 mL tubes and industry adapters.
- Autoclavable polypropylene
- Extractor provided for easy cushion removal from bucket/adaptor.

STERILITY:

Product is gamma irradiated.

RESTRICTIONS:

- Refer to Centrifuge Tube Chemical Resistance Chart at:
http://catalog2.corning.com/Lifesciences/media/pdf/an_DL_082_Falcon_Tube_Pipet_Cultureware_Chemical_Resistance_Chart.pdf
- Refer to "Thermoplastics Properties Chart," available at:
http://catalog2.corning.com/Lifesciences/media/pdf/an_DL_226_Falcon_ThermoPlastics_Broch.pdf

Warranty/Disclaimer: Unless otherwise specified, all products are for research use only. Not intended for use in diagnostic or therapeutic procedures.

| | | | |
|--|----------------------|-------------------------------------|------------------------|
| CORNING | Life Sciences | Document Number: LSR00012 | Rev.: 6 |
| Description (Class): Reference, Customer Technical Data Sheet – Conical Centrifuge Tubes, 225 mL | | | Page: 2 of 2 |

Material: Tube – Polypropylene; Cap – Polyethylene

Related Catalog Numbers:

| Cat. No. | Packout Description | Cap | Sterile | Graduations | Wr. Patch | Rack |
|----------|---------------------|------|---------|-------------|-----------|------|
| 352075 | 8/Bag, 48/Case | Plug | Yes | Molded | No | No |

Dimensions = mm (inches)

TUBE

- A** = 137.16 (5.400)
- B** = O.D. 29.24 (1.151)
- C** = O.D. 60.71 (2.375)
- D** = 27.91 (1.099)

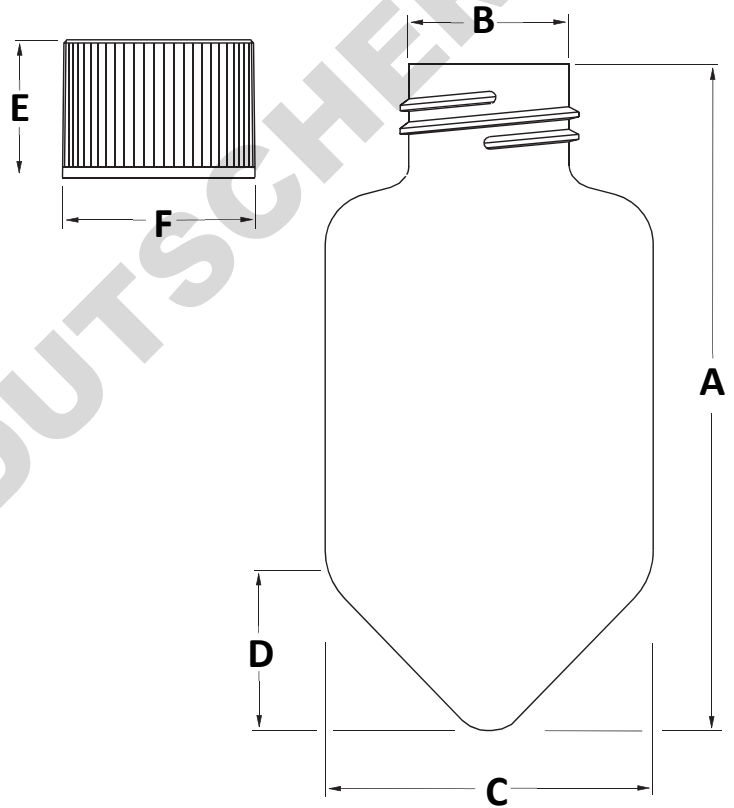
- Tube height w/cap = 139.40 (5.488)
- Top I.D. at rim = 25.91 (1.020)
- O.D. at thread = 31.52 (1.241)
- Bottom O.D. (Sph. Diameter) = 6.35 (.250)
- Bottom angle = 88 degrees
- Max. volume = 225 mL
- RCF ratings = 7500 x g

- Chem. Compatibility: See Chemical Resistance Chart
- Threads to fit special cap design

CAP

- 32 mm Plug Seal Cap
- E** = 25.50 (1.004)
- F** = O.D. 35.97 (1.416)
- I.D. (bottom) = 32.39 (1.275)

Threads are designed to fit Falcon® Tubes only.



Warranty/Disclaimer: Unless otherwise specified, all products are for research use only. Not intended for use in diagnostic or therapeutic procedures.