

# TECHNICAL DATA SHEET

## Tubes W-2DRP, Tubes with codification and right position system

codes W052960CL, W122960CL

code	description	gross vol.	net vol.	case quantity	case weight	case volume
W052960CL	Tube W-2DRP	0.65 ml	0.50 ml	20 racks of 96	2	0.0085
W122960CL	Tube W-2RP	1.40 ml	1.00 ml	12 racks of 96	2.13	0.0085

### USE

Designed for laboratories and biobanks that need **maximum security** and requirements on the traceability and management of their samples.

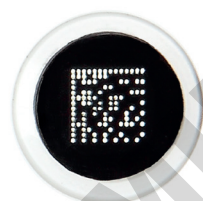
**W-2D tubes simplify the identification and traceability** of the samples during the processing, storage and sending, while offering the **highest standards of quality**.

We present a range of **0.65 ml and 1.40 ml volume** tubes.



### DESCRIPTION

- **Laser engraved codes.** The codes are laser engraved directly on each tube so that the codes are permanent, non-transferable and unique.
- **2D Datamatrix codification on the tube.** For an automatic management of traceability using any scanner.
- **Human readable alphanumeric codification on the side of the tube.** For a visual confirmation of the traceability without the need of a scanner.
- **Solid one-piece construction.** Avoids the use of tags or liners that can rip or come off at low temperatures or because of an accidental fall.
- **DNase, RNase, human DNA and Endotoxines free.** Certified by an accredited external laboratory.
- **Low adherence in the interior of the tube.** Manufactured with low binding polypropylene to allow the lowest retention in the tube.
- **Volume visual indicator of the tube.** 0.65 ml tubes have a volume visual indicator at 0.25 and 0.5 ml, while 1.4 ml tubes have a volumen indicator at 1 ml. Allows a visual identification of mistakes in the dispensation of volume.
- **Allows storage up to -80°C.**



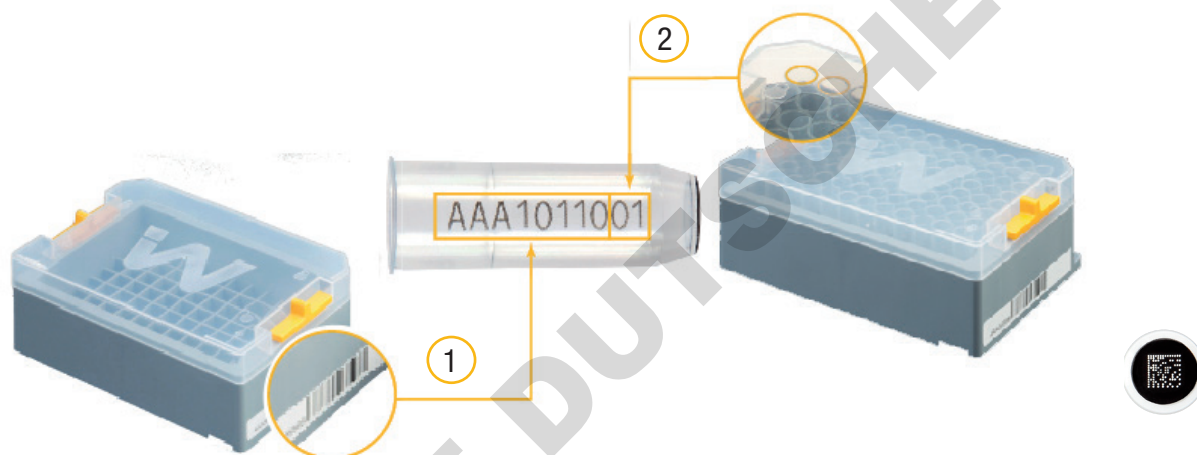
WRITTEN	VERIFIED	AUTHORISED
Soti Khiev Marketing Department	Anna Mir Technical, Development and Quality Director	Mònica Torras Sales & Marketing Director

## TECHNICAL DATA SHEET

### Tubes W-2DRP, Tubes with codification and right position system

codes W052960CL, W122960CL

**W-2DRP tubes have an exclusive and patented codification system** that visually links the tube code with the rack code (See n.1 in the picture below) and moreover every tube has a defined position on the rack. (See n.2 in the picture below). The rack is identified by a cryolabel on one of the sides.



#### Management of traceability

Downloading of data files through the website. Avoids the scanning of the rack to register it in the management software downloading a file through the data file of the rack, which includes the codes and position of the tubes in the rack.

- Files are compatible and can be integrated with the management software and the aliquot equipment.
- Editable files in Excel or TRX format to print or save.
- File management by reading the code of the tube or rack. There are 2 options: manual introduction of the code or by the reading of the rack barcode.

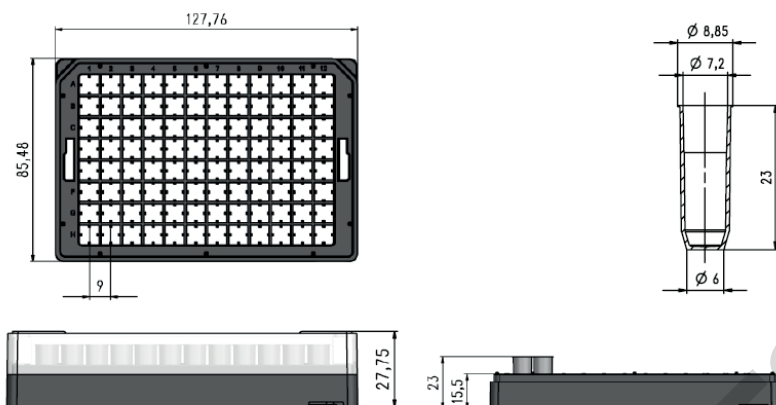
WRITTEN	VERIFIED	AUTHORISED
Soti Khiev Marketing Department	Anna Mir Technical, Development and Quality Director	Mònica Torras Sales & Marketing Director

## TECHNICAL DATA SHEET

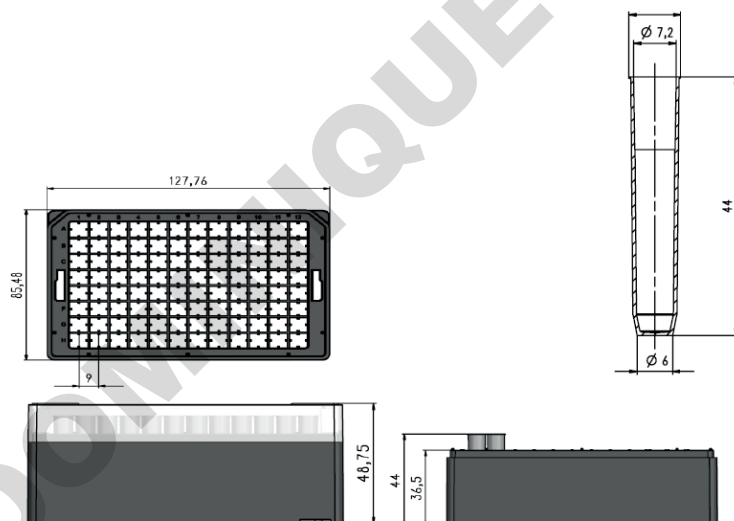
Tubes W-2DRP, Tubes with codification and right position system

codes W052960CL, W122960CL

W052960CL



W122960CL



WRITTEN	VERIFIED	AUTHORISED
Soti Khiev Marketing Department	Anna Mir Technical, Development and Quality Director	Mònica Torras Sales & Marketing Director